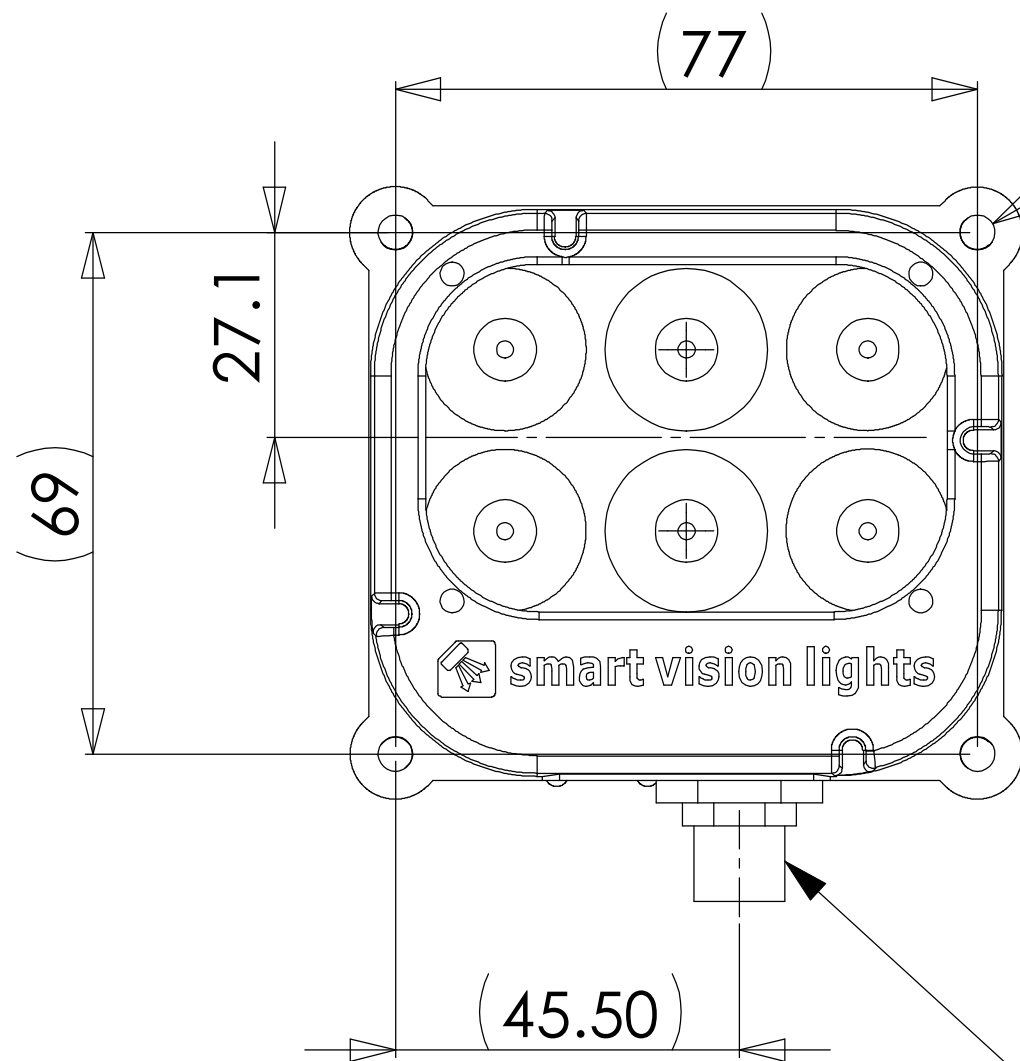


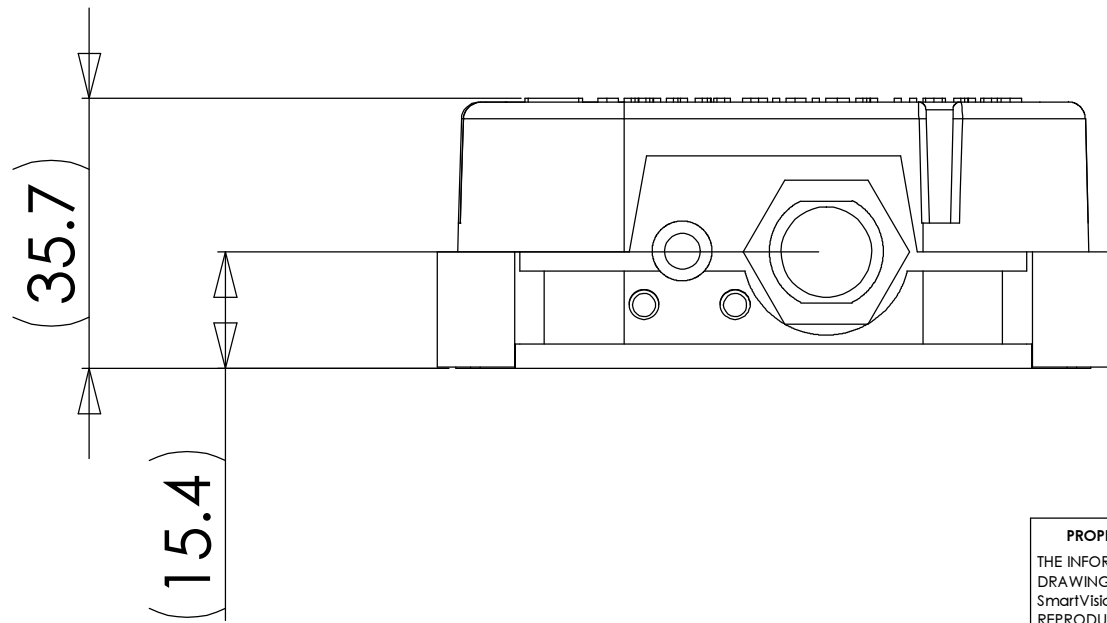
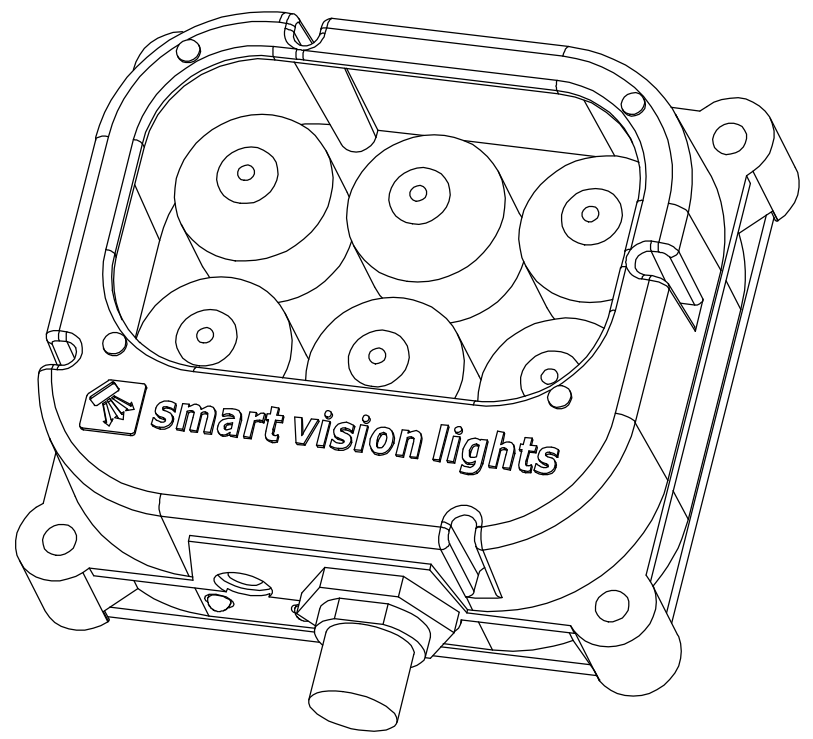
8 7 6 5 4 3 2 1

D  
C  
B  
A



2 x  $\varnothing$  4.60 THRU ALL

M12 thread



**PROPRIETARY AND CONFIDENTIAL**  
 THE INFORMATION CONTAINED IN THIS DRAWING IS THE SOLE PROPERTY OF SmartVisionLights. ANY REPRODUCTION IN PART OR AS A WHOLE WITHOUT THE WRITTEN PERMISSION OF SmartVisionLights IS PROHIBITED.

		UNLESS OTHERWISE SPECIFIED:		DATE	NAME	07167-001	
		DIMENSIONS ARE IN MM		DRAWN BY	9/24/2007	SmartVisionLights.Com	
		TOLERANCES:		CHECKED		matt@smartvisionlights.com	
		FRACTIONAL $\pm 1/64$		ENG APPR.		SIZE	DWG. Name
		ANGULAR: MACH $\pm .25^\circ$ BEND $\pm 3^\circ$		MFG APPR.		<b>B</b>	brick layout
		TWO PLACE DECIMAL $\pm .10$ mm		Q.A.		SCALE: 1:1	REV
		THREE PLACE DECIMAL $\pm .01$ mm		COMMENTS:			
		INTERPRET GEOMETRIC TOLERANCING PER:					
		MATERIAL					
NEXT ASSY	USED ON	FINISH					
APPLICATION							

8 7 6 5 4 3 2 1 Path: Z:\2007\07167 SmartVisionLights Brick light\web data\ 1