

# F 55 – New standards in a compact shape

The compact class with long ranges



## TYPICAL F 55

- Glass-fibre-reinforced plastic (IP 69K & IP 67, Ecolab)
- Bright, easily visible, light spot with sharp contour even in daylight
- Precise background suppression and minimal black/white-shift
- User-friendly operation of all diffuse variants via electronic Teach-in button or control line
- Laser or LED options
- Two dovetail guides for simple sensor alignment
- Well thought-out mounting accessories
























SensoPart sets new standards in the compact class with its F 55 family of photoelectric sensors. The products in this series combine excellent performance data with a robust housing design and many user-friendly details. They guarantee reliable detection by means of focused laser light or red-light LED with precise background suppression.

The sensors of the F 55 series have a very high light intensity: the photoelectric proximity sensor with background suppression, for example, reaches a scanning distance of up to 5000 mm. The bright, sharply contoured light spot is still easily visible even at

long distances in bright daylight, considerably simplifying commissioning.

The F 55 series covers all standard applications in industrial automation: whether for part detection in the automotive industry or for sorting tasks in machine construction – the sensors excel everywhere with their excellent performance.

F 55 – Product Overview							
	Type of light		Adjustment		Scanning distance / range	Special features	Page
<b>Photoelectric proximity sensors with background suppression</b>							
FT 55- RLH	Laser		Potentiometer		5 ... 800 mm		350
FT 55-RLH2	Laser		Potentiometer		5 ... 1000 mm	Precise small-part detection at long scanning distances	352
FT 55-RLHP2	Laser		Teach-in		0 ... 5000 mm	Very long scanning distances	354
FT 55B-RH	LED		Potentiometer		3 ... 800 mm		356
FT 55-RH	LED		Potentiometer		3 ... 1200 mm		358
FT 55-BH	LED		Potentiometer		3 ... 1200 mm	BlueLight technology	360
<b>Photoelectric proximity sensors</b>							
FT 55-RL	Laser		Teach-in		5 ... 1200 mm	Detection of slightest grey value differences	362
FT 55-R	LED		Teach-in		5 ... 2000 mm		364
<b>Retroreflective photoelectric sensors</b>							
FR 55-RLO	Laser		Teach-in		0 ... 20 m	Autocollimation, most accurate small-part detection	366
FR 55-RL	Laser		Teach-in		0.3 ... 14 m		368
FR 55-R	LED		Teach-in		0.3 ... 14 m		370
<b>Through-beam photoelectric sensors</b>							
FS/FE 55-RL	Laser		Teach-in		0 ... 30 m		372
FS/FE 55-R	LED		Teach-in		0 ... 25 m		374

# FT 55-RLH

Laser photoelectric proximity sensor with background suppression



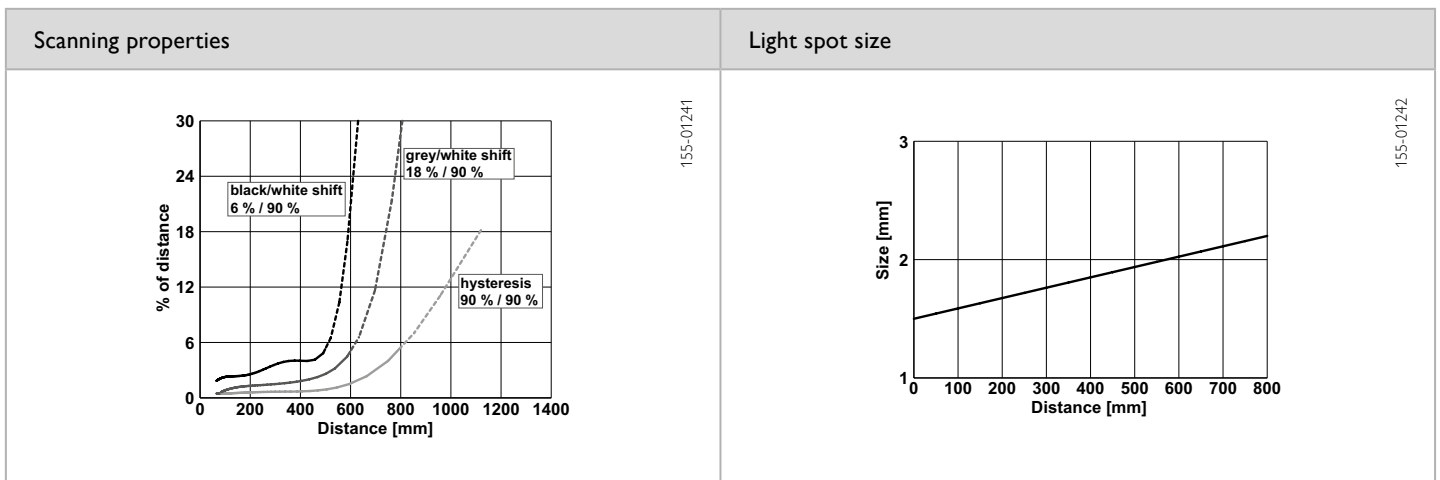
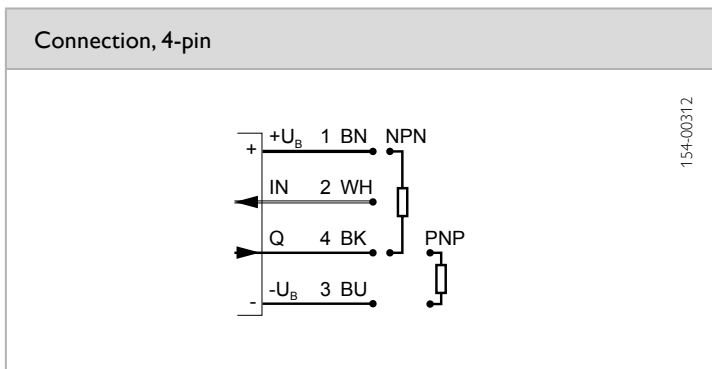
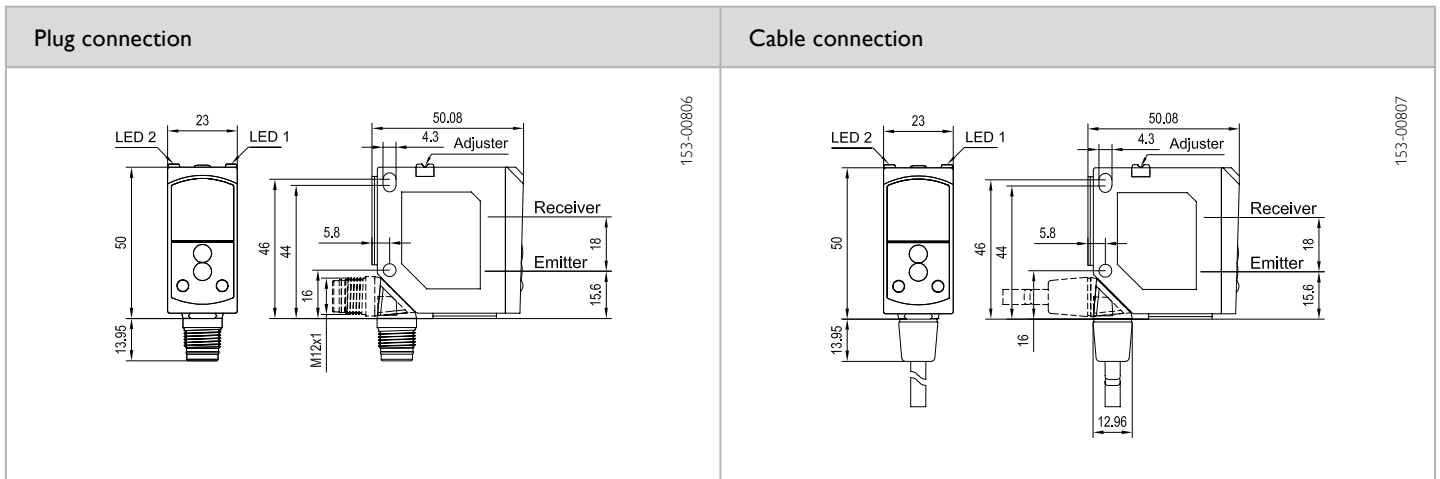
## PRODUCT HIGHLIGHTS

- Precisely adjustable background suppression – reliable operation even with highly reflective and glossy backgrounds
- Particularly suitable for the detection of the smallest of objects
- Very small, easily visible laser light spot
- Precise scanning distance adjustment by means of potentiometer
- Plug and cable connection rotatable

Optical data		Functions	
Scanning distance	5 ... 800 mm <sup>1</sup>	Indicator LED, green	Operating voltage indicator
Type of light	Laser, red, 655 nm	Indicator LED, yellow	Switching output indicator / contamination indicator
Light spot size	See diagram	Scanning distance adjustment	Via potentiometer
Laser Class (IEC 60825-1)	1	Adjustment possibilities	N.O./N.C. via control input
		Default settings	Max. scanning distance (6 %)
Electrical data		Mechanical data	
Operating voltage, +U <sub>B</sub>	12 ... 30V DC <sup>2</sup>	Dimensions	50 × 50,1 × 23 mm
No-load current, I <sub>0</sub>	≤ 30 mA	Enclosure rating	IP 69K & IP 67 <sup>3</sup>
Output current, I <sub>e</sub>	≤ 100 mA	Material, housing	PC-ABS
Protective circuits	Reverse-polarity protection, U <sub>B</sub> / short-circuit protection (Q)	Material, front screen	PMMA
Protection Class	2	Type of connection	See Selection Table
Power On Delay	< 300 ms	Ambient temperature: operation	-20 ... +60 °C <sup>4</sup>
Switching output, Q	PNP/NPN (see Selection Table)	Ambient temperature: storage	-20 ... +80 °C
Output function	N.O./N.C.	Weight (plug device)	35 g
Switching frequency, f (ti/tp 1:1)	≤ 1000 Hz	Weight (cable device)	125 g
Response time	500 μs	Vibration and impact resistance	EN 60947-5-2
Control input, IN	+U <sub>B</sub> = N.C. -U <sub>B</sub> / Open = N.O.		

<sup>1</sup> Reference material: white, 90 % reflectivity    <sup>2</sup> Max. 10 % ripple, within U<sub>B</sub>, ~ 50 Hz / 100 Hz    <sup>3</sup> With connected IP 67 / IP 69K plug    <sup>4</sup> UL: max. +45 °C

Scanning distance	Switching output	Type of connection	Part number	Article number
5 ... 800 mm	PNP	Plug, M12x1, 4-pin	FT 55-RLH-PS-L4	623-11018
5 ... 800 mm	NPN	Plug, M12x1, 4-pin	FT 55-RLH-NS-L4	623-11019
5 ... 800 mm	PNP	Cable, 3 m, 4-wire	FT 55-RLH-PS-K4	623-11021
5 ... 800 mm	NPN	Cable, 3 m, 4-wire	FT 55-RLH-NS-K4	623-11022



Reference material	Detection range
White (90 %)	5 ... 800 mm
Grey (18 %)	10 ... 600 mm
Black (6 %)	30 ... 500 mm

**Accessories**

Connection cables	From Page A-38
Brackets	From Page A-4

# FT 55-RLH2

Laser photoelectric proximity sensor with background suppression



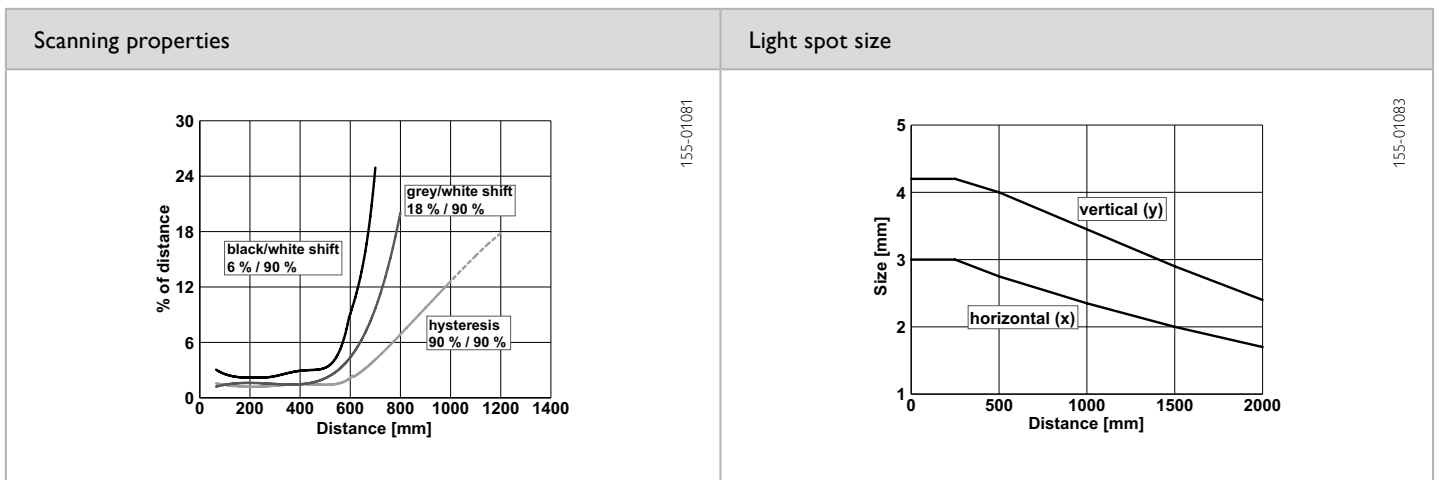
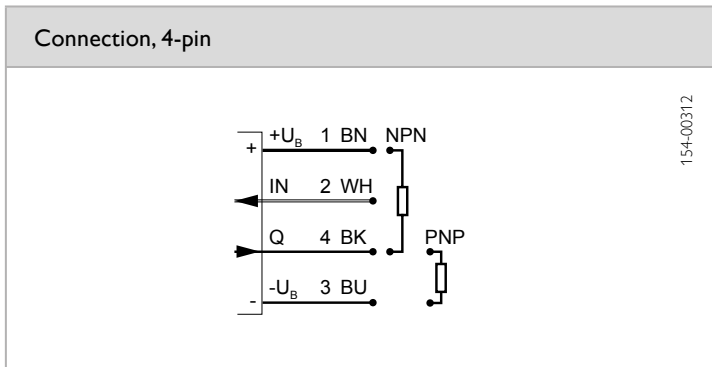
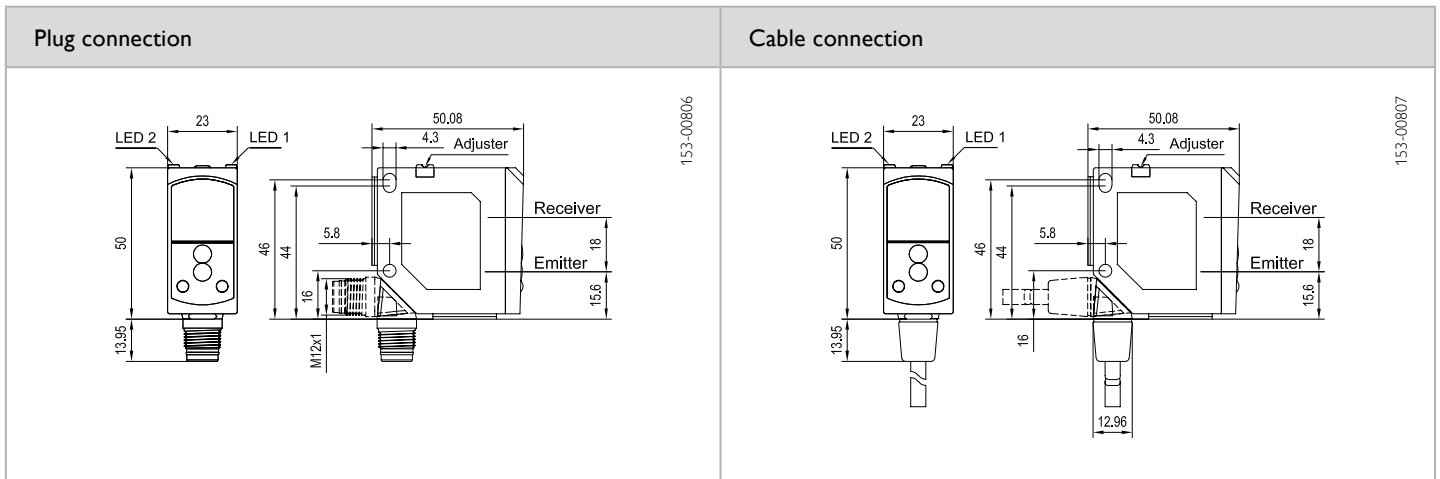
## PRODUCT HIGHLIGHTS

- Long scanning distance of 1 m combined with extremely accurate small-part detection
- Precisely adjustable background suppression – reliable operation even with highly reflective and glossy backgrounds
- Very small, easily visible laser light spot
- Precise scanning distance adjustment by means of potentiometer
- Integrated display window for scanning distance adjustment

Optical data		Functions	
Scanning distance	5 ... 1000 mm <sup>1</sup>	Indicator LED, green	Operating voltage indicator
Type of light	Laser, red, 655 nm	Indicator LED, yellow	Switching output indicator / contamination indicator
Light spot size	See diagram	Scanning distance adjustment	Via potentiometer
Laser Class (IEC 60825-1)	1	Adjustment possibilities	N.O./N.C. via control input
		Default settings	S <sub>n</sub> = 500 mm (6 %)
Electrical data		Mechanical data	
Operating voltage, +U <sub>b</sub>	12 ... 30V DC <sup>2</sup>	Dimensions	50 × 50.1 × 23 mm
No-load current, I <sub>0</sub>	≤ 30 mA	Enclosure rating	IP 69K & IP 67 <sup>3</sup>
Output current, I <sub>e</sub>	≤ 100 mA	Material, housing	PC-ABS
Protective circuits	Reverse-polarity protection, U <sub>b</sub> / short-circuit protection (Q)	Material, front screen	PMMA
Protection Class	2	Type of connection	See Selection Table
Power On Delay	< 300 ms	Ambient temperature: operation	-20 ... +60 °C <sup>4</sup>
Switching output, Q	PNP/NPN (see Selection Table)	Ambient temperature: storage	-20 ... +80 °C
Output function	N.O./N.C.	Weight (plug device)	35 g
Switching frequency, f (ti/tp 1:1)	≤ 1000 Hz	Weight (cable device)	125 g
Response time	500 μs	Vibration and impact resistance	EN 60947-5-2
Control input, IN	+U <sub>b</sub> = N.C. -U <sub>b</sub> / Open = N.O.		

<sup>1</sup> Reference material: white, 90 % reflectivity    <sup>2</sup> Max. 10 % ripple, within U<sub>b</sub>, ~ 50 Hz / 100 Hz    <sup>3</sup> With connected IP 67 / IP 69K plug    <sup>4</sup> UL: max. +45 °C

Scanning distance	Switching output	Type of connection	Part number	Article number
5 ... 1000 mm	PNP	Plug, M12x1, 4-pin	FT 55-RLH2-PS-L4	623-11006
5 ... 1000 mm	NPN	Plug, M12x1, 4-pin	FT 55-RLH2-NS-L4	623-11007
5 ... 1000 mm	PNP	Cable, 3 m, 4-wire	FT 55-RLH2-PS-K4	623-11009
5 ... 1000 mm	NPN	Cable, 3 m, 4-wire	FT 55-RLH2-NS-K4	623-11010



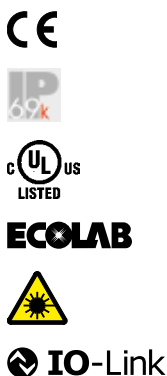
Reference material	Detection range
White (90 %)	5 ... 1000 mm
Grey (18 %)	10 ... 800 mm
Black (6 %)	15 ... 700 mm

**Accessories**

Connection cables	From Page A-38
Brackets	From Page A-4

# FT 55-RLHP2

Laser photoelectric proximity sensor with background suppression – Time-of-flight technology



## PRODUCT HIGHLIGHTS

- For detection tasks with all object surfaces at high scanning distances
- Reliable object detection even with tilted objects and with bright, highly reflective or shiny backgrounds
- Compact housing for an easy integration
- Simple teach-in (also external)
- Clearly visible laser light spot (laser class 1) for an easy alignment and full eye safety

Optical data		Functions	
Scanning distance	0 ... 5 m (see Selection Table) <sup>1</sup>	Indicator LED 2 green	Operating voltage indicator
Hysteresis	20 mm	Indicator LED 2 yellow <sup>2</sup>	Switching output indicator Q2
Black/white shift (6%/90%)	≤ ± 40 mm	Indicator LED 1 yellow	Switching output indicator Q resp. Q1
Grey value shift (18%/90%)	≤ ± 40 mm	Scanning distance adjustment	Via Teach-in Button and control input
Type of light	Laser, red 655 nm	Adjustment possibilities	N.O. / N.C. / antivalent <sup>2</sup> via Teach-in Button and control input
Laser class (IEC 60825-1)	1	Default settings	Key lock via control input
			3 m, N.O.
Electrical data		Mechanical data	
Operating voltage +U <sub>b</sub>	18 ... 30V DC	Dimensions	50 × 50,1 × 23 mm
No-load current I <sub>0</sub>	≤ 60 mA	Enclosure rating	IP 67 & IP 69K <sup>4</sup>
Output current I <sub>e</sub> Q	≤ 100 mA	Material, housing	ABS
Protection circuits	Reverse polarity protection U <sub>b</sub> / short-circuit protection (Q)	Material, front screen	PMMA
Protection class	2	Type of connection	See Selection table
Power On Delay	< 5 s	Ambient temperature: operation	-40 ... +60 °C <sup>5</sup>
Switching output Q	1 × Auto-Detect (PNP/NPN) <sup>3</sup> 2 × Auto-Detect (PNP/NPN) <sup>3</sup>	Ambient temperature: storage	-40 ... +80 °C
Output function	N.O. / N.C. / antivalent <sup>2</sup>	Weight (plug device)	42 g
Switching frequency f (ti/tp 1:1) Q	≤ 500 Hz	Resistance to vibration and impacts	EN 60947-5-2
Response time Q	1 ms		
Temperature drift	< 2 mm / K		
Warm-up time	20 min.		
Control input IN	+U <sub>b</sub> = Teach-in -U <sub>b</sub> = Button locked Open = normal operation		

<sup>1</sup> Reference material 90 % reflectivity

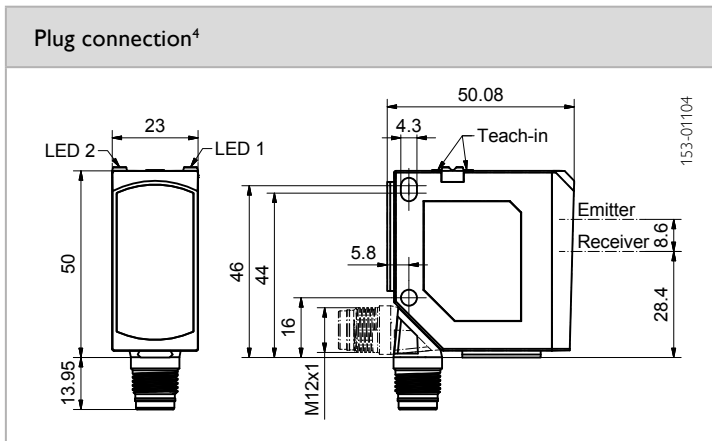
<sup>2</sup> For variant FT 55-RLHP2-2PNS-L5

<sup>3</sup> Auto-Detect: Automatic selection of PNP or NPN by the sensor; PNP or NPN can be fixed

<sup>4</sup> With connected IP 67 / IP 69K plug

<sup>5</sup> UL: max. +45 °C

Scanning distance	Switching output	Type of connection	Part Number	Article number
0 ... 5 m	1 × Auto-Detect	Plug, M12x1, 4-pin	FT 55-RLHP2-PNS-L4	623-11031
0 ... 5 m	2 × Auto-Detect	Plug, M12x1, 5-pin	FT 55-RLHP2-2PNS-L5	623-11034



<sup>4</sup> FT 55-RLHP2-PNS-L4 with a teach-in button

Connection, 4-pin, Auto-Detect	Connection, 5-pin, Auto-Detect
<p>154-00313</p>	<p>154-00541</p>

8

Scanning properties	Light spot size
<p>155-01838</p>	<p>155-01741</p>

Reference material	Scanning distance
White (90 %)	0 ... 5 m
Grey (18 %)	0 ... 5 m
Black (6 %)	0.05... 3 m

Accessories	
Connection cables	From Page A-38
Brackets	From Page A-4



# FT 55B-RH

Photoelectric proximity sensor with background suppression



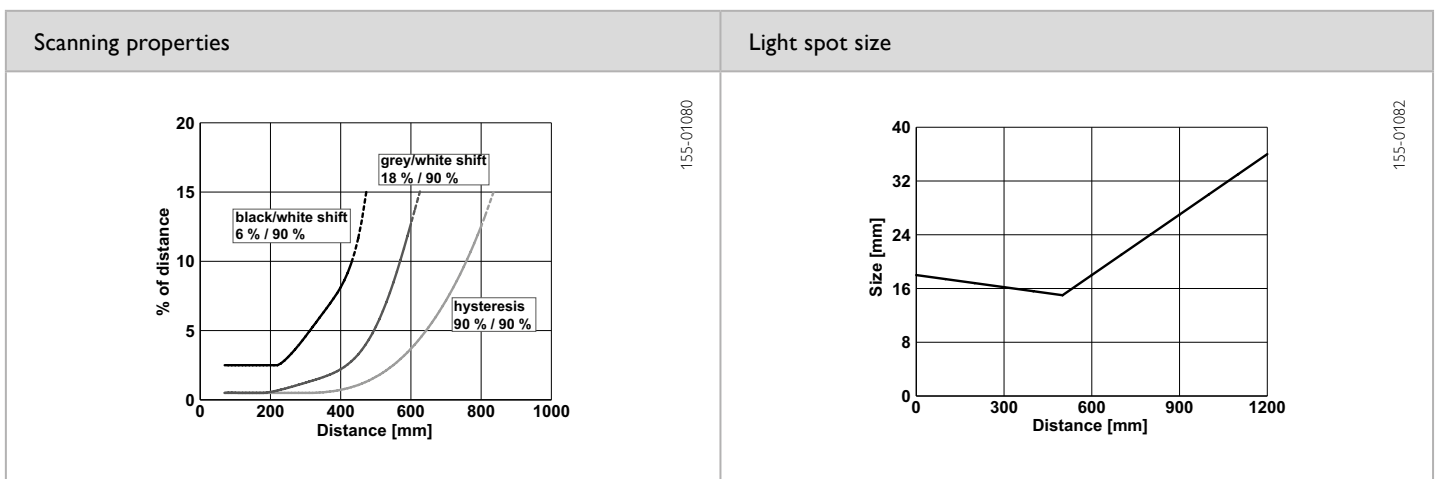
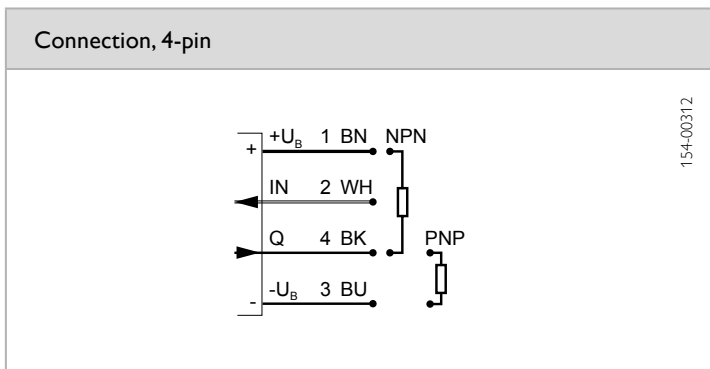
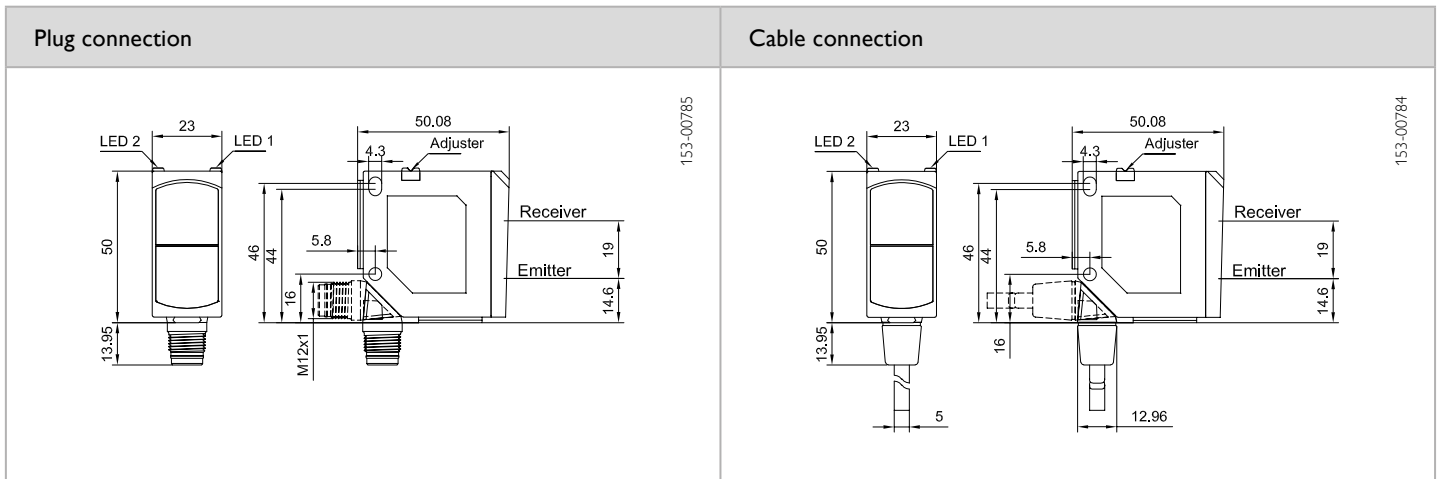
## PRODUCT HIGHLIGHTS

- Precisely adjustable background suppression
- Reliable switching despite differing object colours and surfaces
- Simple alignment thanks to easily visible light spot
- Plug and cable connection rotatable

Optical data		Functions	
Scanning distance	3 ... 800 mm <sup>1</sup>	Indicator LED, green	Operating voltage indicator
Type of light	LED, red, 640 nm	Indicator LED, yellow	Switching output indicator / contamination indicator
Light spot size	See diagram	Scanning distance adjustment	Via potentiometer
		Adjustment possibilities	N.O./N.C. via control input
		Default settings	Max. scanning distance (6 %)
Electrical data		Mechanical data	
Operating voltage, +U <sub>B</sub>	10 ... 30V DC <sup>2</sup>	Dimensions	50 x 50,1 x 23 mm
No-load current, I <sub>0</sub>	≤ 30 mA	Enclosure rating	IP 69K & IP 67 <sup>3</sup>
Output current, I <sub>e</sub>	≤ 100 mA	Material, housing	PC-ABS
Protective circuits	Reverse-polarity protection, U <sub>B</sub> / short-circuit protection (Q)	Material, front screen	PMMA
Protection Class	2	Type of connection	See Selection Table
Power On Delay	< 300 ms	Ambient temperature: operation	-20 ... +60 °C <sup>4</sup>
Switching output, Q	PNP/NPN (see Selection Table)	Ambient temperature: storage	-20 ... +80 °C
Output function	N.O./N.C.	Weight (plug device)	35 g
Switching frequency, f (ti/tp 1:1)	≤ 600 Hz	Weight (cable)	125 g
Response time	830 μs	Vibration and impact resistance	EN 60947-5-2
Control input, IN	+U <sub>B</sub> = N.C. -U <sub>B</sub> / Open = N.O.		

<sup>1</sup> Reference material: white, 90 % reflectivity    <sup>2</sup> Max. 10 % ripple, within U<sub>B</sub>, ~ 50 Hz / 100 Hz    <sup>3</sup> With connected IP 67 / IP 69K plug    <sup>4</sup> UL: max. +45 °C

Scanning distance	Switching output	Type of connection	Part number	Article number
3 ... 800 mm	PNP	Plug, M12x1, 4-pin	FT 55B-RH-PS-L4	623-11012
3 ... 800 mm	NPN	Plug, M12x1, 4-pin	FT 55B-RH-NS-L4	623-11013
3 ... 800 mm	PNP	Cable 3 m, 4-wire	FT 55B-RH-PS-K4	623-11014
3 ... 800 mm	NPN	Cable 3 m, 4-wire	FT 55B-RH-NS-K4	623-11015



Reference material	Detection range
White (90 %)	3 ... 800 mm
Grey (18 %)	5 ... 600 mm
Black (6 %)	15 ... 450 mm

### Accessories

Connection cables	From Page A-38
Brackets	From Page A-4

# FT 55-RH

Photoelectric proximity sensor with background suppression



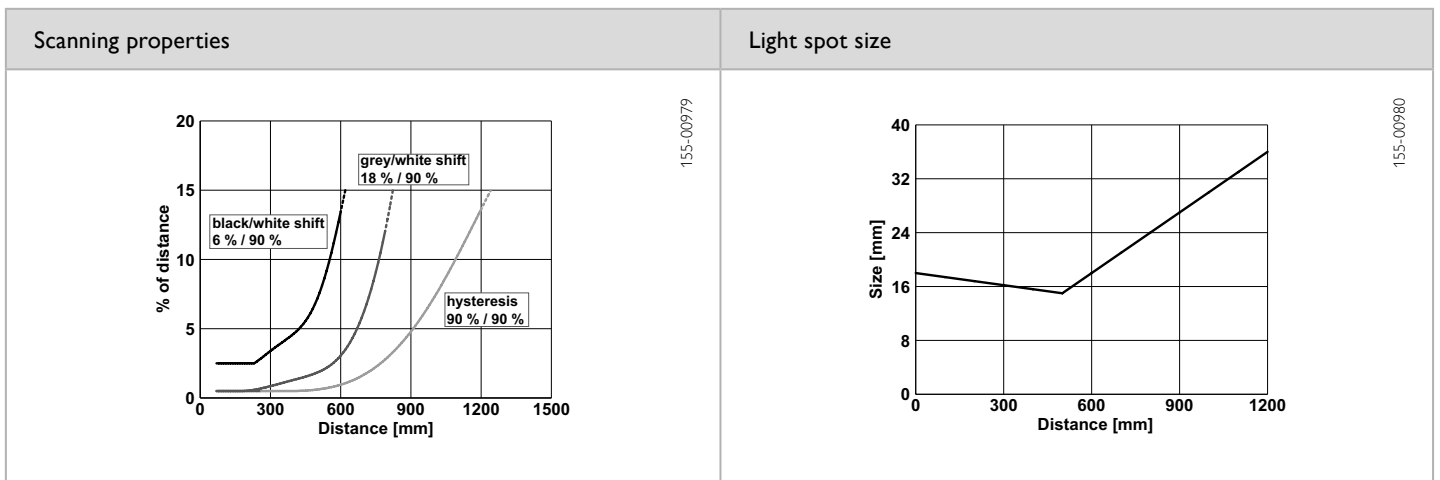
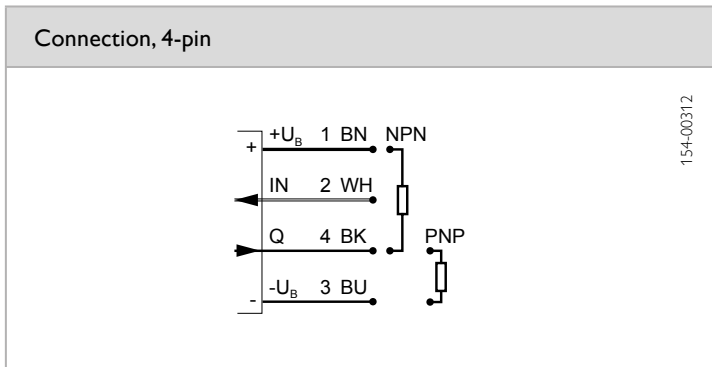
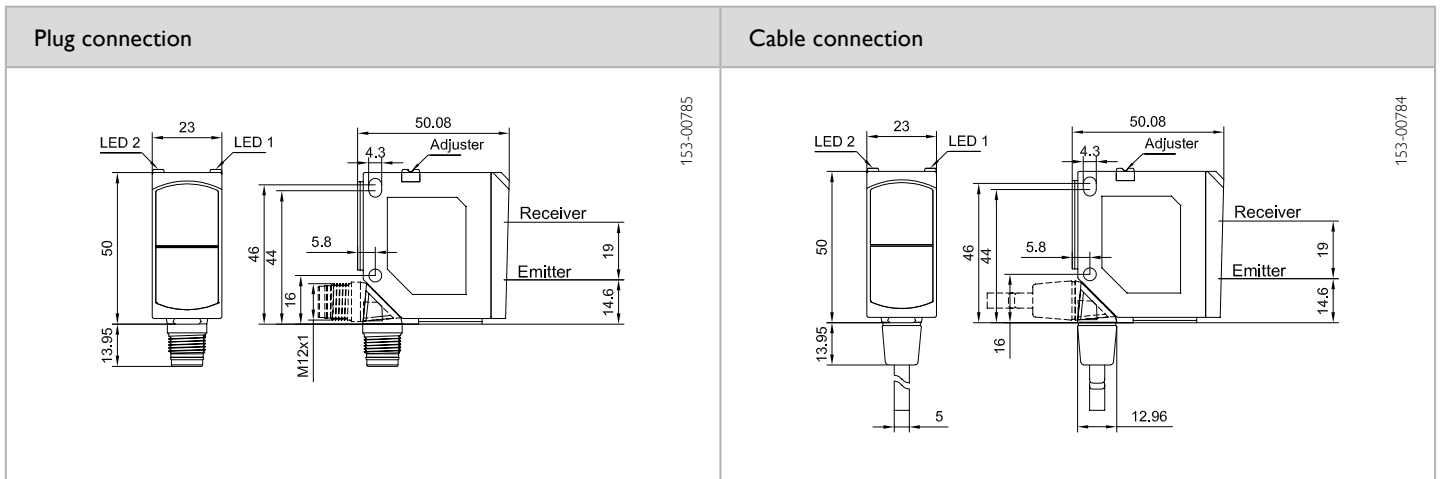
## PRODUCT HIGHLIGHTS

- Long scanning distance of 1.20 m
- Precisely adjustable background suppression – reliable operation even with highly reflective and glossy backgrounds
- Reliable suppression of ambient light, such as sunlight and halogen lamps
- Precise scanning distance adjustment by means of potentiometer

Optical data		Functions	
Scanning distance	3 ... 1200 mm <sup>1</sup>	Indicator LED, green	Operating voltage indicator
Type of light	LED, red, 640 nm	Indicator LED, yellow	Switching output indicator / contamination indicator
Light spot size	See diagram	Scanning distance adjustment	Via potentiometer
		Adjustment possibilities	N.O./N.C. via control input
		Default settings	S <sub>n</sub> = 500 mm (6 %)
Electrical data		Mechanical data	
Operating voltage, +U <sub>b</sub>	10 ... 30V DC <sup>2</sup>	Dimensions	50 × 50.1 × 23 mm
No-load current, I <sub>0</sub>	≤ 30 mA	Enclosure rating	IP 69K & IP 67 <sup>3</sup>
Output current, I <sub>e</sub>	≤ 100 mA	Material, housing	PC-ABS
Protective circuits	Reverse-polarity protection, U <sub>b</sub> / short-circuit protection (Q)	Material, front screen	PMMA
Protection Class	2	Type of connection	See Selection Table
Power On Delay	< 300 ms	Ambient temperature: operation	-20 ... +60 °C <sup>4</sup>
Switching output, Q	PNP/NPN (see Selection Table)	Ambient temperature: storage	-20 ... +80 °C
Output function	N.O./N.C.	Weight (plug device)	35 g
Switching frequency, f (ti/tp 1:1)	≤ 600 Hz	Weight (cable device)	125 g
Response time	830 μs	Vibration and impact resistance	EN 60947-5-2
Control input, IN	+U <sub>b</sub> = N.C. -U <sub>b</sub> / Open = N.O.		

<sup>1</sup> Reference material: white, 90 % reflectivity    <sup>2</sup> Max. 10 % ripple, within U<sub>b</sub>, ~ 50 Hz / 100 Hz    <sup>3</sup> With connected IP 67 / IP 69K plug    <sup>4</sup> UL: max. +45 °C

Scanning distance	Switching output	Type of connection	Part number	Article number
3 ... 1200 mm	PNP	Plug, M12x1, 4-pin	FT 55-RH-PS-L4	623-11000
3 ... 1200 mm	NPN	Plug, M12x1, 4-pin	FT 55-RH-NS-L4	623-11001
3 ... 1200 mm	PNP	Cable, 3 m, 4-wire	FT 55-RH-PS-K4	623-11003
3 ... 1200 mm	NPN	Cable, 3 m, 4-wire	FT 55-RH-NS-K4	623-11004



Reference material	Detection range
White (90 %)	3 ... 1200 mm
Grey (18 %)	5 ... 800 mm
Black (6 %)	10 ... 600 mm

**Accessories**

Connection cables	From Page A-38
Brackets	From Page A-4

# FT 55-BH

Photoelectric proximity sensor with background suppression



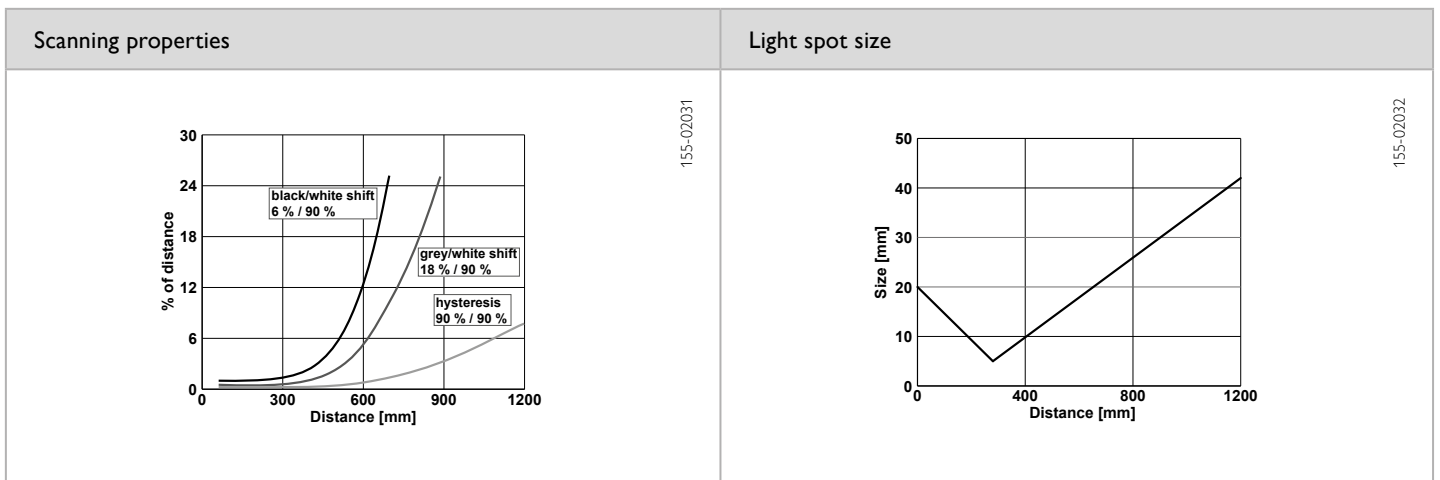
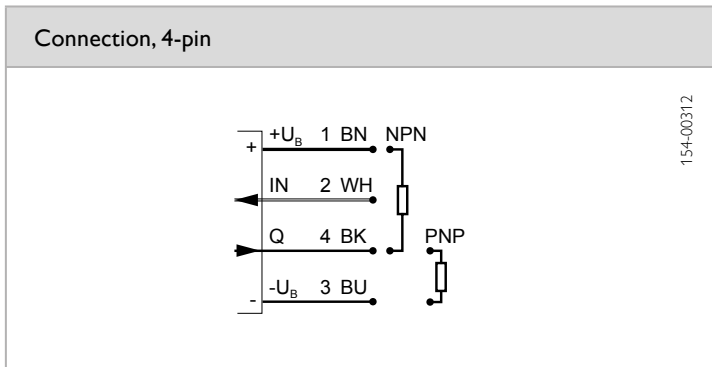
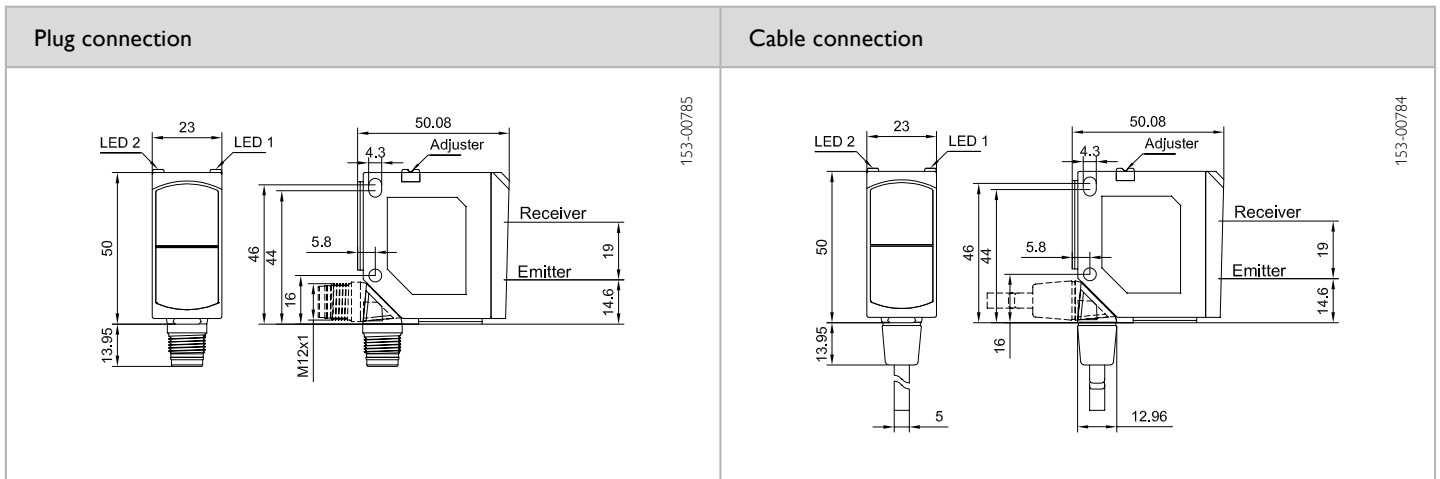
## PRODUCT HIGHLIGHTS

- Long scanning distance of 1.20 m
- BlueLight technology with precisely adjustable background suppression – reliable operation even with highly reflective and glossy backgrounds
- Precise scanning distance adjustment by means of potentiometer
- Reliable detection of highly transparent or strongly light-absorbing objects
- Reliable detection even with angles of up to 90°

Optical data		Functions	
Scanning distance	3 ... 1200 mm <sup>1</sup>	Indicator LED, green	Operating voltage indicator
Type of light	LED, blue, 450 nm	Indicator LED, yellow	Switching output indicator / contamination indicator
Light spot size	See diagram	Scanning distance adjustment	Via potentiometer
		Adjustment possibilities	N.O./N.C. via control input
		Default settings	S <sub>n</sub> = 500 mm (6 %)
Electrical data		Mechanical data	
Operating voltage, +U <sub>b</sub>	10 ... 30V DC <sup>2</sup>	Dimensions	50 × 50.1 × 23 mm
No-load current, I <sub>0</sub>	≤ 30 mA	Enclosure rating	IP 69K & IP 67 <sup>3</sup>
Output current, I <sub>e</sub>	≤ 100 mA	Material, housing	PC-ABS
Protective circuits	Reverse-polarity protection, U <sub>b</sub> / short-circuit protection (Q)	Material, front screen	PMMA
Protection Class	2	Type of connection	See Selection Table
Power On Delay	< 300 ms	Ambient temperature: operation	-20 ... +60 °C <sup>4</sup>
Switching output, Q	PNP/NPN (see Selection Table)	Ambient temperature: storage	-20 ... +80 °C
Output function	N.O./N.C.	Weight (plug device)	35 g
Switching frequency, f (ti/tp 1:1)	≤ 600 Hz	Weight (cable device)	125 g
Response time	830 μs	Vibration and impact resistance	EN 60947-5-2
Control input, IN	+U <sub>b</sub> = N.C. -U <sub>b</sub> / Open = N.O.		

<sup>1</sup> Reference material: white, 90 % reflectivity    <sup>2</sup> Max. 10 % ripple, within U<sub>b</sub>, ~ 50 Hz / 100 Hz    <sup>3</sup> With connected IP 67 / IP 69K plug    <sup>4</sup> UL: max. +45 °C

Scanning distance	Switching output	Type of connection	Part number	Article number
3 ... 1200 mm	PNP	Plug, M12x1, 4-pin	FT 55-BH-PS-L4	623-11036
3 ... 1200 mm	NPN	Plug, M12x1, 4-pin	FT 55-BH-NS-L4	623-11037



Reference material	Detection range
White (90 %)	3 ... 1200 mm
Grey (18 %)	5 ... 750 mm
Black (6 %)	10 ... 600 mm

Accessories

Connection cables	From Page A-38
Brackets	From Page A-4

# FT 55-RL

Diffuse laser photoelectric proximity sensor



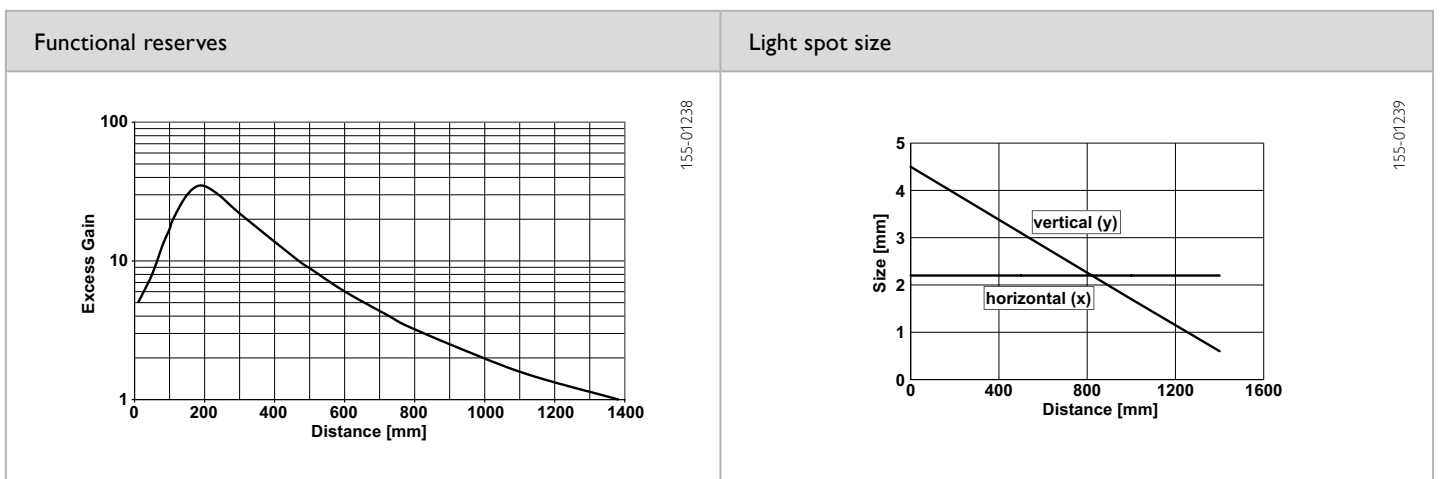
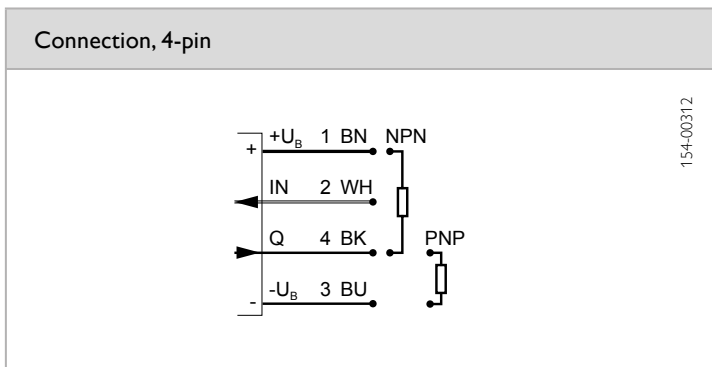
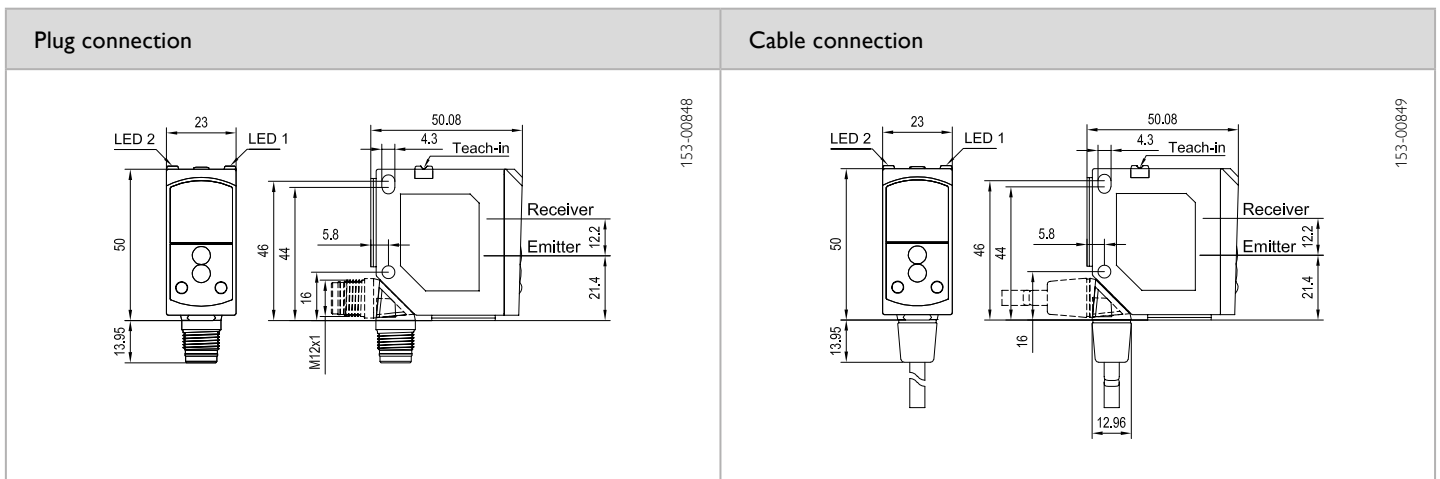
## PRODUCT HIGHLIGHTS

- Differentiation of even the slightest of grey value differences
- Sensor adjustment via teach-in and control input
- Very small, easily visible laser light spot
- Plug and cable connection rotatable

Optical data		Functions	
Scanning distance	5 ... 1200 mm <sup>1</sup>	Indicator LED, green	Operating voltage indicator
Type of light	Laser, red, 655 nm	Indicator LED, yellow	Switching output indicator / contamination indicator
Light spot size	See diagram	Sensitivity adjustment	Via Teach-in button and control input
Laser Class (IEC 60825-1)	1	Teach-in modes	Mode 1: during running process Mode 2: during standing process
Hysteresis	≤ 15 %	Adjustment possibilities	N.O./N.C. via Teach-in button and control input Button lock via control input
		Default settings	Max. scanning distance and N.O.
Electrical data		Mechanical data	
Operating voltage, +U <sub>b</sub>	10 ... 30V DC <sup>2</sup>	Dimensions	50 × 50.1 × 23 mm
No-load current, I <sub>0</sub>	≤ 30 mA	Enclosure rating	IP 69K & IP 67 <sup>3</sup>
Output current, I <sub>e</sub>	≤ 100 mA	Material, housing	PC-ABS
Protective circuits	Reverse-polarity protection, U <sub>b</sub> / short-circuit protection (Q)	Material, front screen	PMMA
Protection Class	2	Type of connection	See Selection Table
Power On Delay	< 300 ms	Ambient temperature: operation	-20 ... +60 °C <sup>4</sup>
Switching output, Q	PNP/NPN (see Selection Table)	Ambient temperature: storage	-20 ... +80 °C
Output function	N.O./N.C.	Weight (plug device)	35 g
Switching frequency, f (ti/tp 1:1)	≤ 600 Hz	Weight (cable device)	125 g
Response time	830 μs	Vibration and impact resistance	EN 60947-5-2
Control input, IN	+U <sub>b</sub> = teach-in -U <sub>b</sub> = button locked Open = normal operation		

<sup>1</sup> Reference material: white, 90 % reflectivity    <sup>2</sup> Max. 10 % ripple, within U<sub>b</sub>, ~ 50 Hz / 100 Hz    <sup>3</sup> With connected IP 67 / IP 69K plug    <sup>4</sup> UL: max. +45 °C

Scanning distance	Switching output	Type of connection	Part number	Article number
5 ... 1200 mm	PNP	Plug, M12x1, 4-pin	FT 55-RL-PS-L4	622-21006
5 ... 1200 mm	NPN	Plug, M12x1, 4-pin	FT 55-RL-NS-L4	622-21007
5 ... 1200 mm	PNP	Cable, 3 m, 4-wire	FT 55-RL-PS-K4	622-21009
5 ... 1200 mm	NPN	Cable, 3 m, 4-wire	FT 55-RL-NS-K4	622-21010



Reference material	Detection range
White (90 %)	5 ... 1200 mm
Grey (18 %)	10 ... 700 mm
Black (6 %)	100 ... 400 mm

Accessories	
Connection cables	From Page A-38
Brackets	From Page A-4



# FT 55-R

Diffuse photoelectric proximity sensor



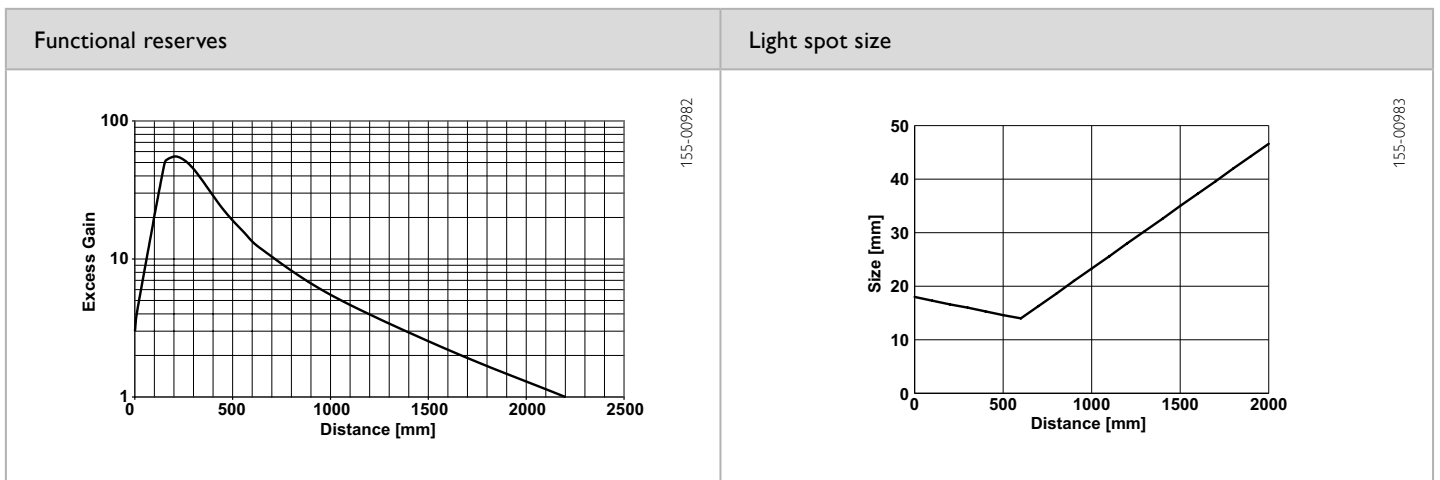
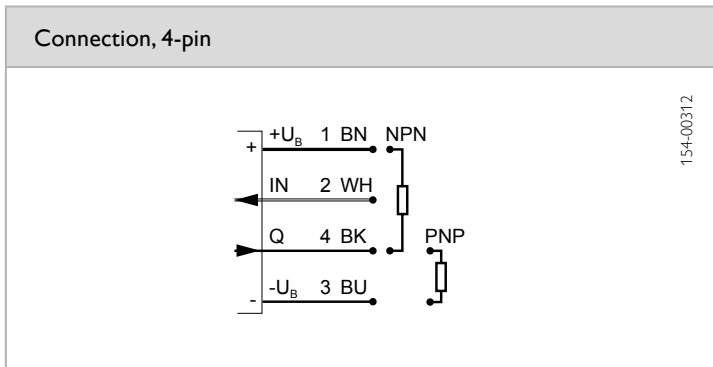
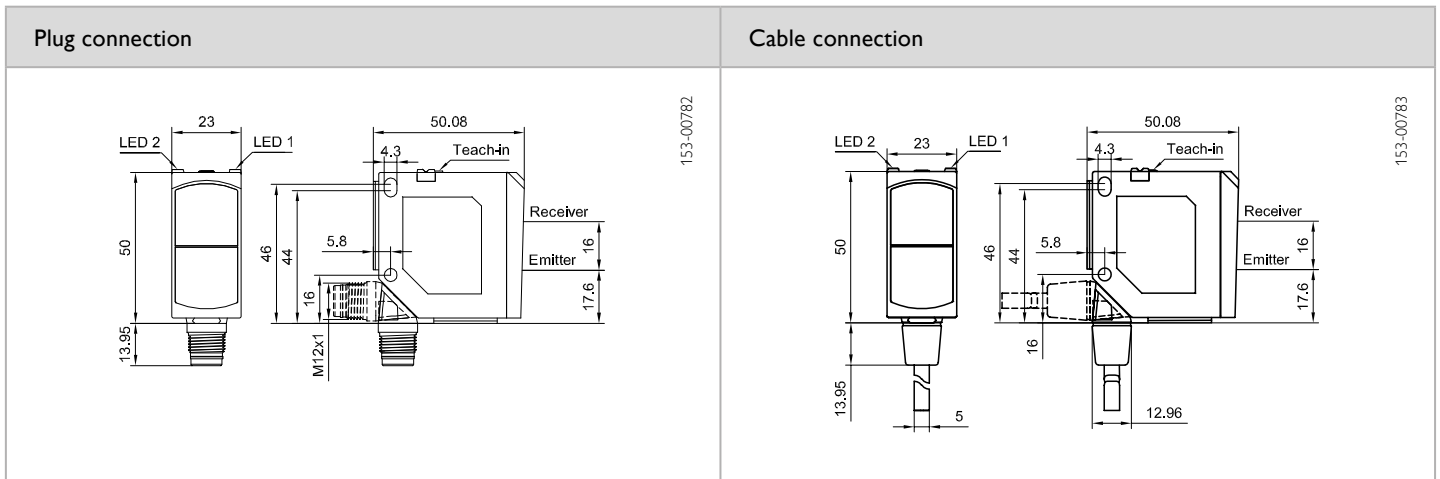
## PRODUCT HIGHLIGHTS

- Differentiation of even the slightest of grey value differences
- Sensor adjustment via teach-in and control input
- Simple alignment thanks to easily visible light spot
- Plug and cable connection rotatable

Optical data		Functions	
Scanning distance	5 ... 2000 mm <sup>1</sup>	Indicator LED, green	Operating voltage indicator
Type of light	LED, red, 640 nm	Indicator LED, yellow	Switching output indicator / contamination indicator
Light spot size	See diagram	Sensitivity adjustment	Via Teach-in button and control input
		Teach-in modes	Mode 1: during running process Mode 2: during standing process
		Adjustment possibilities	N.O./N.C. via Teach-in button and control input Button lock via control input
		Default settings	Max. scanning distance and N.O.
Electrical data		Mechanical data	
Operating voltage, +U <sub>B</sub>	10 ... 30V DC <sup>2</sup>	Dimensions	50 × 50.1 × 23 mm
No-load current, I <sub>0</sub>	≤ 30 mA	Enclosure rating	IP 69K & IP 67 <sup>3</sup>
Output current, I <sub>e</sub>	≤ 100 mA	Material, housing	PC-ABS
Protective circuits	Reverse-polarity protection, U <sub>B</sub> / short-circuit protection (Q)	Material, front screen	PMMA
Protection Class	2	Type of connection	See Selection Table
Power On Delay	< 300 ms	Ambient temperature: operation	-20 ... +60 °C <sup>4</sup>
Switching output, Q	PNP/NPN (see Selection Table)	Ambient temperature: storage	-20 ... +80 °C
Output function	N.O./N.C.	Weight (plug device)	35 g
Switching frequency, f (ti/tp 1:1)	≤ 600 Hz	Weight (cable device)	125 g
Response time	830 μs	Vibration and impact resistance	EN 60947-5-2
Control input, IN	+U <sub>B</sub> = teach-in -U <sub>B</sub> = button locked Open = normal operation		

<sup>1</sup> Reference material: white, 90 % reflectivity    <sup>2</sup> Max. 10 % ripple, within U<sub>B</sub>, ~ 50 Hz / 100 Hz    <sup>3</sup> With connected IP 67 / IP 69K plug    <sup>4</sup> UL: max. +45 °C

Scanning distance	Switching output	Type of connection	Part number	Article number
5 ... 2000 mm	PNP	Plug, M12×1, 4-pin	FT 55-R-PS-L4	622-21000
5 ... 2000 mm	NPN	Plug, M12×1, 4-pin	FT 55-R-NS-L4	622-21001
5 ... 2000 mm	PNP	Cable, 3 m, 4-wire	FT 55-R-PS-K4	622-21003
5 ... 2000 mm	NPN	Cable, 3 m, 4-wire	FT 55-R-NS-K4	622-21004



Reference material	Detection range
White (90 %)	5 ... 2000 mm
Grey (18 %)	10 ... 1200 mm
Black (6 %)	90 ... 600 mm

**Accessories**

Connection cables	From Page A-38
Brackets	From Page A-4

# FR 55-RLO

## Autocollimation laser retroreflective photoelectric sensor



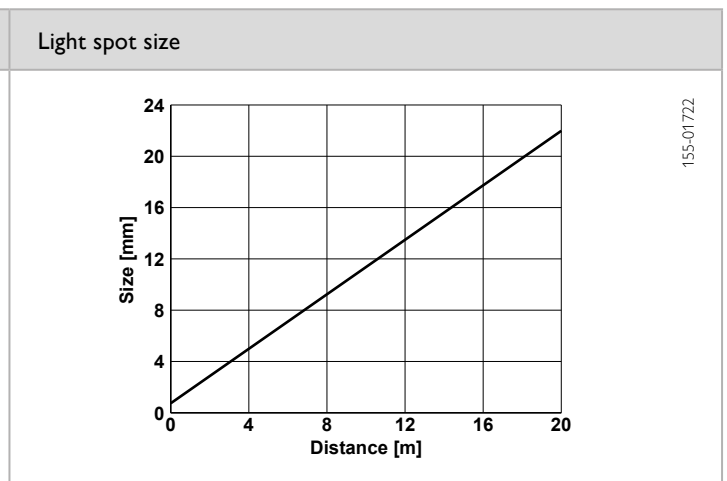
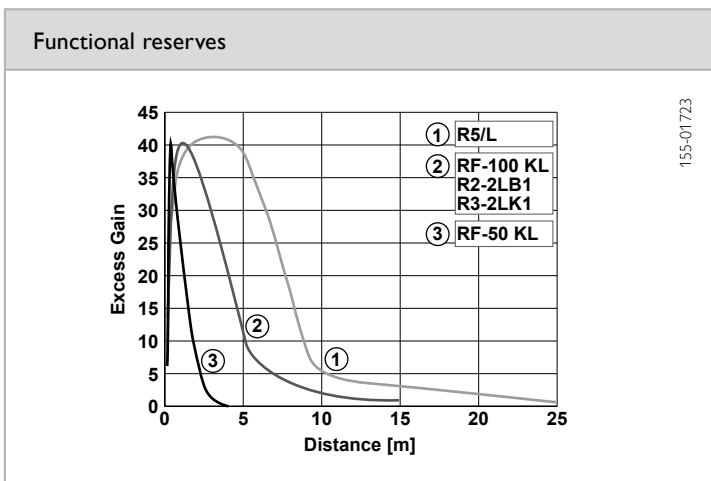
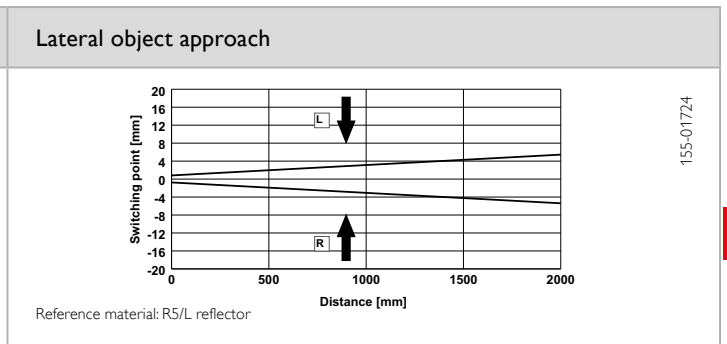
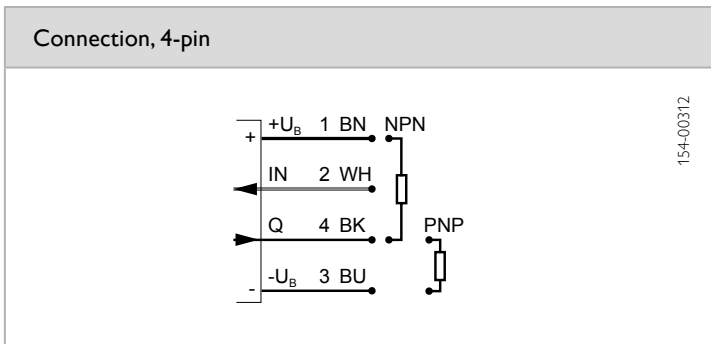
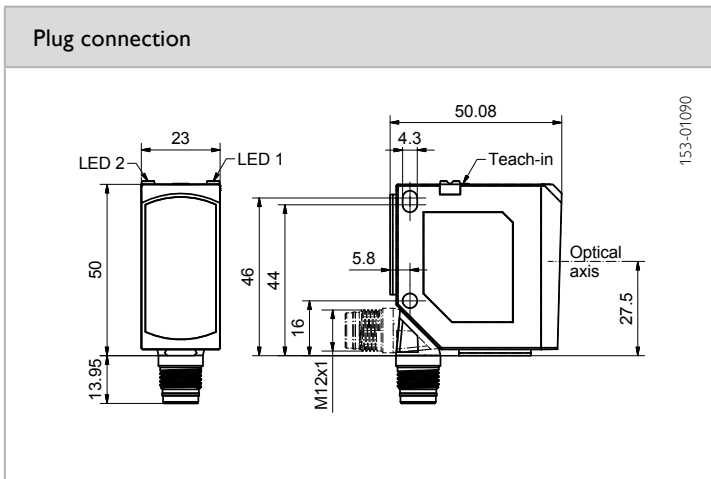
### PRODUCT HIGHLIGHTS

- Reliable small-part detection from a size of 0.2 mm at a scanning distance of 0–5 m
- Precise front-edge detection even in fastest automation processes thanks to a high switching frequency of 5 kHz
- Reliable detection of objects through the smallest of openings thanks to autocollimation; therefore sensor can be placed outside any danger zone
- No blind zone - detection from a range of 0 mm

Optical data		Functions	
Limit range	0 ... 25 m <sup>1</sup>	Indicator LED, green	Operating voltage indicator
Operating range	0 ... 20 m <sup>1</sup>	Indicator LED, yellow	Switching output indicator / contamination indicator
Type of light	Laser, red, 655 nm	Sensitivity adjustment	Via Teach-in button and control input
Light spot size	See diagram	Teach-in modes	Mode 1: during running process Mode 2: during standing process
Laser Class (IEC 60825-1)	1	Adjustment possibilities	N.O./N.C. via Teach-in button and control input Button lock via control input
Polarising filter	Yes	Default settings	Max. range and N.O.
Electrical data		Mechanical data	
Operating voltage, +U <sub>b</sub>	10 ... 30V DC <sup>2</sup>	Dimensions	50 × 50.1 × 23 mm
No-load current, I <sub>0</sub>	≤ 30 mA	Enclosure rating	IP 69K & IP 67 <sup>3</sup>
Output current, I <sub>e</sub>	≤ 100 mA	Material, housing	PC-ABS
Protective circuits	Reverse-polarity protection, U <sub>b</sub> / short-circuit protection (Q)	Material, front screen	PMMA
Protection Class	2	Type of connection	See Selection Table
Power On Delay	< 300 ms	Ambient temperature: operation	-20 ... +60 °C <sup>4</sup>
Switching output, Q	PNP/NPN (see Selection Table)	Ambient temperature: storage	-20 ... +80 °C
Output function	N.O./N.C.	Weight (plug device)	35 g
Switching frequency, f (ti/tp 1:1)	See Selection Table	Vibration and impact resistance	EN 60947-5-2
Response time	See Selection Table		
Control input, I <sub>N</sub>	+U <sub>b</sub> = teach-in -U <sub>b</sub> = button locked Open = normal operation		

<sup>1</sup> Reference material: R5/L reflector    <sup>2</sup> Max. 10 % ripple, within U<sub>b</sub> ~ 50 Hz / 100 Hz    <sup>3</sup> With connected IP 67 / IP 69K plug    <sup>4</sup> UL: max. +45 °C

Switching frequency f (ti/tp 1:1) <sup>2</sup>	Response time	Switching output	Type of connection	Part number	Article number
≤ 5 kHz	100 μs	PNP	Plug M12x1, 4-pin	FR 55-RLO1-PS-L4	621-11021
≤ 5 kHz	100 μs	NPN	Plug M12x1, 4-pin	FR 55-RLO1-NS-L4	621-11022
≤ 2,5 kHz	200 μs	PNP	Plug M12x1, 4-pin	FR 55-RLO2-PS-L4	621-11023
≤ 2,5 kHz	200 μs	NPN	Plug M12x1, 4-pin	FR 55-RLO2-NS-L4	621-11024



Reflector / Reflective foil*	Operating range (min./max. reflector distance)	Accessories	
R5/L	0 ... 20 m	Connection cables	From Page A-38
RF-100 KL*	0 ... 15 m	Brackets	From Page A-4
R2-2LB1	0 ... 15 m		
R3-2LK1	0 ... 15 m		
RF-50 KL*	0 ... 3 m		

# FR 55-RL

## Laser retroreflective photoelectric sensor



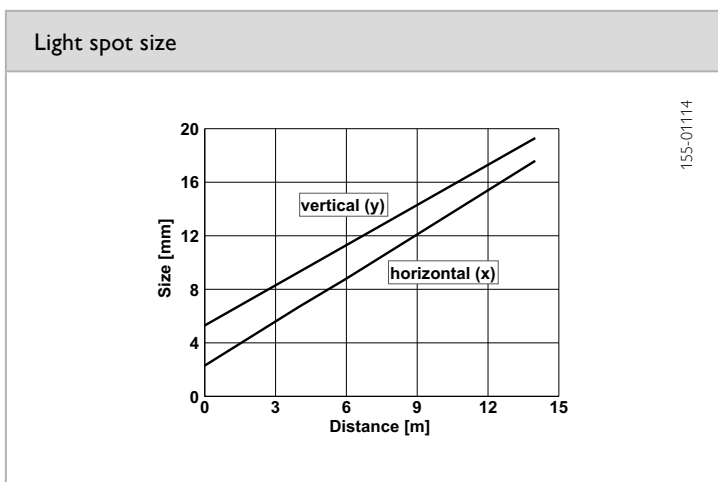
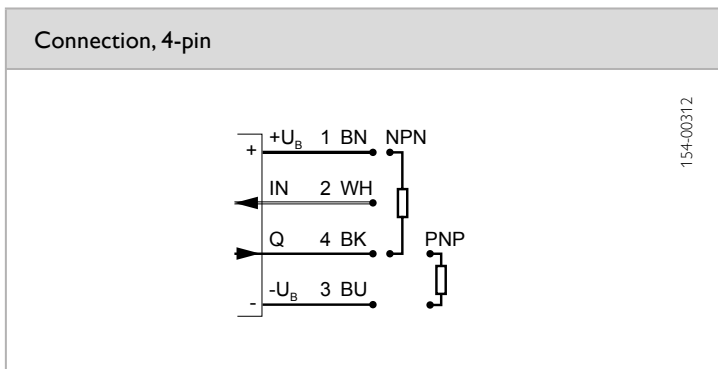
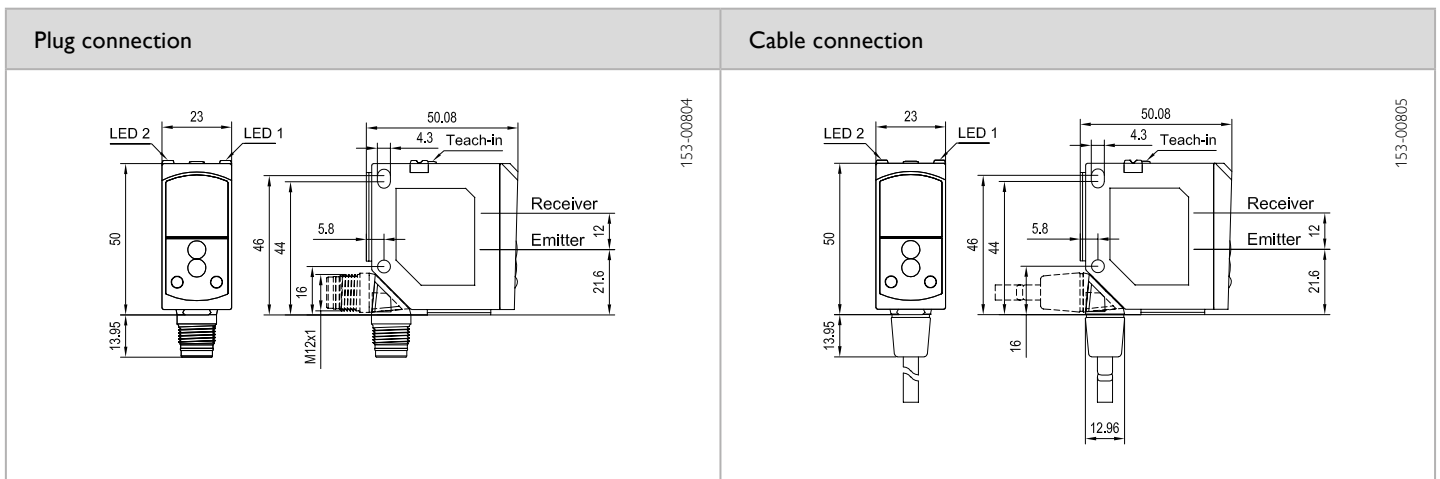
### PRODUCT HIGHLIGHTS

- Particularly suitable for the detection of the smallest of objects – smallest detectable part < 2 mm
- Bright, precise laser light spot in Laser Class 1
- Suitable for a wide variety of different reflectors
- Sensor adjustment via teach-in and control input

Optical data		Functions	
Limit range	0.3 ... 14 m <sup>1</sup>	Indicator LED, green	Operating voltage indicator
Operating range	0.3 ... 12 m <sup>1</sup>	Indicator LED, yellow	Switching output indicator / contamination indicator
Type of light	Laser, red, 655 nm	Sensitivity adjustment	Via Teach-in button and control input
Light spot size	See diagram	Teach-in modes	Mode 1: during running process Mode 2: during standing process
Laser Class (IEC 60825-1)	1	Adjustment possibilities	N.O./N.C. via Teach-in button and control input Button lock via control input
Polarising filter	Yes	Default settings	Max. range and N.O.
Electrical data		Mechanical data	
Operating voltage, +U <sub>B</sub>	10 ... 30V DC <sup>2</sup>	Dimensions	50 × 50.1 × 23 mm
No-load current, I <sub>0</sub>	≤ 30 mA	Enclosure rating	IP 69K & IP 67 <sup>3</sup>
Output current, I <sub>e</sub>	≤ 100 mA	Material, housing	PC-ABS
Protective circuits	Reverse-polarity protection, U <sub>B</sub> / short-circuit protection (Q)	Material, front screen	PMMA
Protection Class	2	Type of connection	See Selection Table
Power On Delay	< 300 ms	Ambient temperature: operation	-20 ... +60 °C <sup>4</sup>
Switching output, Q	PNP/NPN (see Selection Table)	Ambient temperature: storage	-20 ... +80 °C
Output function	N.O./N.C.	Weight (plug device)	35 g
Switching frequency, f (ti/tp 1:1)	≤ 2000 Hz	Weight (cable device)	125 g
Response time	250 μs	Vibration and impact resistance	EN 60947-5-2
Control input, IN	+U <sub>B</sub> = teach-in - U <sub>B</sub> = button locked Open = normal operation		

<sup>1</sup> Reference material: R5/L reflector    <sup>2</sup> Max. 10 % ripple, within U<sub>B</sub> ~ 50 Hz / 100 Hz    <sup>3</sup> With connected IP 67 / IP 69K plug    <sup>4</sup> UL: max. +45 °C

Operating range	Switching output	Type of connection	Part number	Article number
0.3 ... 12 m	PNP	Plug, M12x1, 4-pin	FR 55-RL-PS-L4	621-11006
0.3 ... 12 m	NPN	Plug, M12x1, 4-pin	FR 55-RL-NS-L4	621-11007
0.3 ... 12 m	PNP	Cable, 3 m, 4-wire	FR 55-RL-PS-K4	621-11009
0.3 ... 12 m	NPN	Cable, 3 m, 4-wire	FR 55-RL-NS-K4	621-11010



Reflector / Reflective foil*	Operating range
R5/L	0.3 ... 12 m
RF-100 KL*	0.2 ... 6 m

### Accessories

Reflectors	From Page A-18
Connection cables	From Page A-38
Brackets	From Page A-4

# FR 55-R

## Retroreflective photoelectric sensor



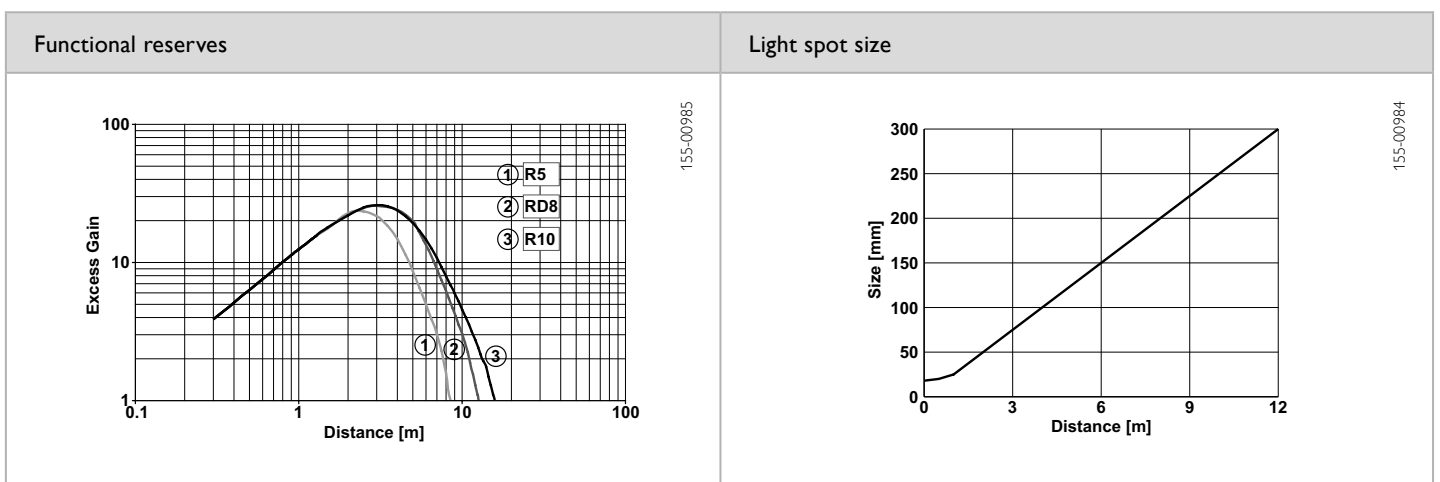
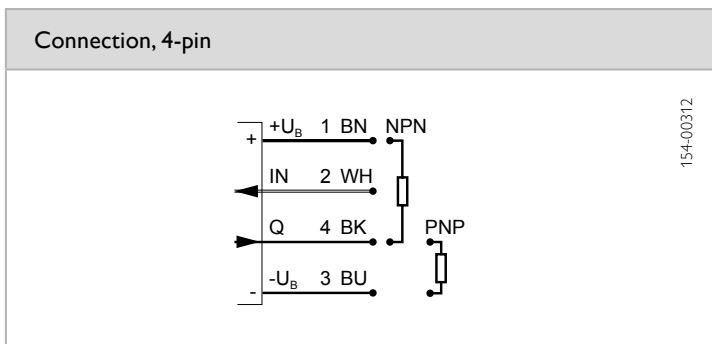
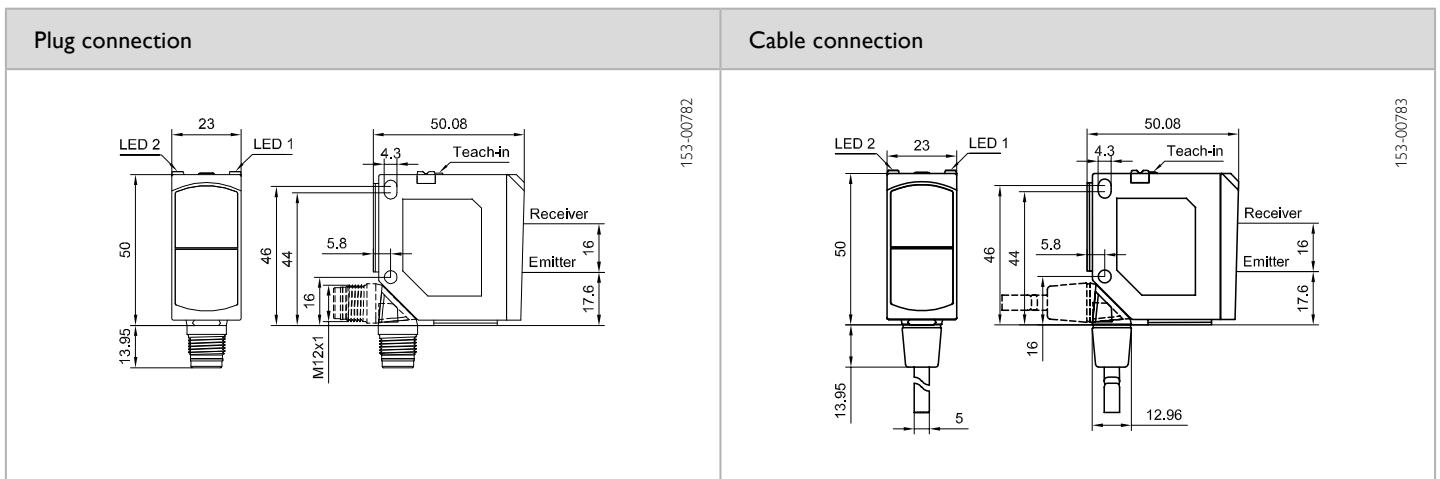
### PRODUCT HIGHLIGHTS

- Simple alignment thanks to easily visible light spot
- Suitable for a wide variety of different reflectors
- Sensor adjustment via teach-in and control input
- Plug and cable connection rotatable

Optical data		Functions	
Limit range	0.3 ... 14 m <sup>1</sup>	Indicator LED, green	Operating voltage indicator
Operating range	0.3 ... 12 m <sup>1</sup>	Indicator LED, yellow	Switching output indicator / contamination indicator
Type of light	LED, red, 640 nm	Sensitivity adjustment	Via Teach-in button and control input
Light spot size	See diagram	Teach-in modes	Mode 1: during running process Mode 2: during standing process
Polarising filter	Yes	Adjustment possibilities	N.O./N.C. via Teach-in button and control input Button lock via control input
		Default settings	S <sub>n</sub> = 8 m and N.O.
Electrical data		Mechanical data	
Operating voltage, +U <sub>b</sub>	10 ... 30V DC <sup>2</sup>	Dimensions	50 × 50.1 × 23 mm
No-load current, I <sub>0</sub>	≤ 30 mA	Enclosure rating	IP 69K & IP 67 <sup>3</sup>
Output current, I <sub>e</sub>	≤ 100 mA	Material, housing	PC-ABS
Protective circuits	Reverse-polarity protection, U <sub>b</sub> / short-circuit protection (Q)	Material, front screen	PMMA
Protection Class	2	Type of connection	See Selection Table
Power On Delay	< 300 ms	Ambient temperature: operation	-20 ... +60 °C <sup>4</sup>
Switching output, Q	PNP/NPN (see Selection Table)	Ambient temperature: storage	-20 ... +80 °C
Output function	N.O./N.C.	Weight (plug device)	35 g
Switching frequency, f (ti/tp 1:1)	≤ 600 Hz	Weight (cable device)	125 g
Response time	830 μs	Vibration and impact resistance	EN 60947-5-2
Control input, IN	+U <sub>b</sub> = teach-in -U <sub>b</sub> = button locked Open = normal operation		

<sup>1</sup> Reference material: R10 reflector    <sup>2</sup> Max. 10 % ripple, within U<sub>b</sub> ~ 50 Hz / 100 Hz    <sup>3</sup> With connected IP 67 / IP 69K plug    <sup>4</sup> UL: max. +45 °C

Operating range	Switching output	Type of connection	Part number	Article number
0.3 ... 12 m	PNP	Plug, M12x1, 4-pin	FR 55-R-PS-L4	621-11000
0.3 ... 12 m	NPN	Plug, M12x1, 4-pin	FR 55-R-NS-L4	621-11001
0.3 ... 12 m	PNP	Cable, 3 m, 4-wire	FR 55-R-PS-K4	621-11003
0.3 ... 12 m	NPN	Cable, 3 m, 4-wire	FR 55-R-NS-K4	621-11004



Reflector / Reflective foil*	Operating range	Accessories	
R10	0.3 ... 12 m	Reflectors	From Page A-18
RD8	0.3 ... 10 m	Connection cables	From Page A-38
R5	0.3 ... 6 m	Brackets	From Page A-4
RF-100 KL*	0.25 ... 6 m		



# FS/FE 55-RL

## Laser through-beam photoelectric sensor



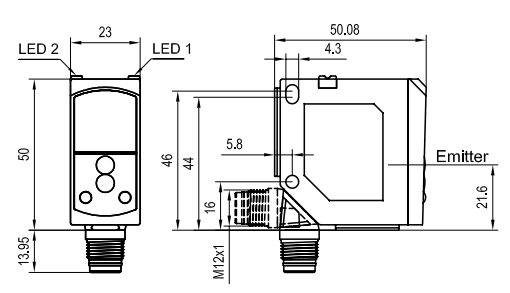
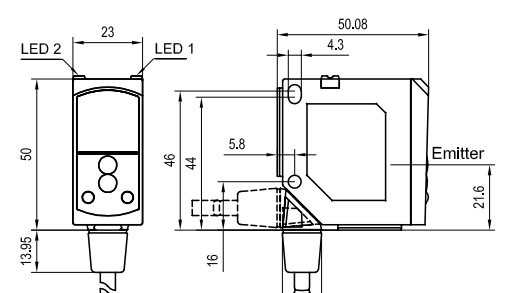
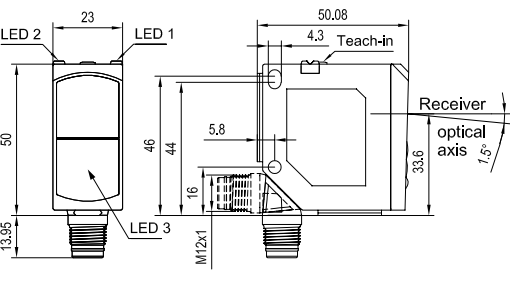
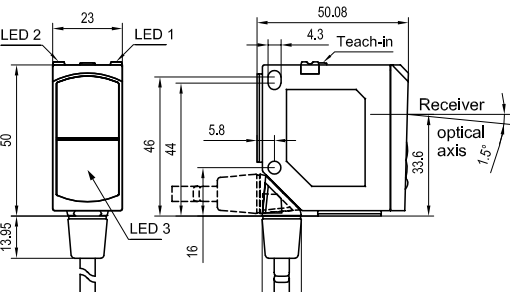
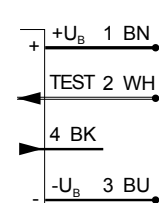
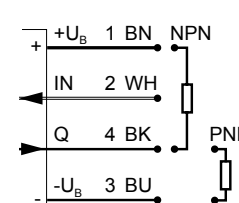
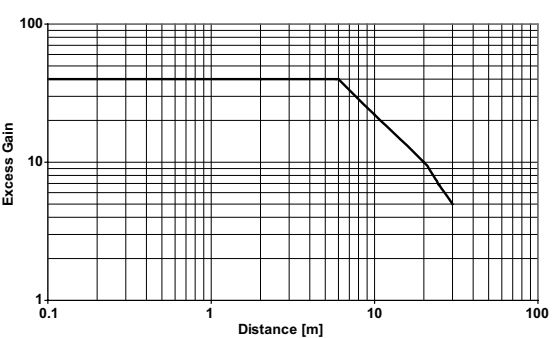
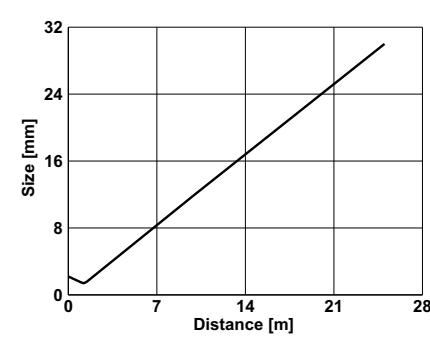
### PRODUCT HIGHLIGHTS

- Long range combined with precise laser light spot for extremely accurate small-part detection
- High switching frequency for the reliable detection of even the most rapid processes
- Sensor adjustment via teach-in and control input
- Plug and cable connection rotatable

Optical data		Functions	
Limit range	0 ... 30 m	Indicator LED, green	Operating voltage indicator
Operating range	0 ... 25 m	Indicator LED, yellow	Switching output indicator / contamination indicator
Type of light	Laser, red, 655 nm	Indicator LED, red (receiver)	Alignment indicator
Light spot size	See diagram	Sensitivity adjustment (receiver)	Via Teach-in button and control input
Laser Class (IEC 60825-1)	1	Teach-in modes	Mode 1: during running process Mode 2: during standing process
		Adjustment possibilities (receiver)	N.O./N.C. via Teach-in button and control input Button lock via control input
		Default settings	Max. range and N.O.
Electrical data		Mechanical data	
Operating voltage, +U <sub>B</sub>	10 ... 30V DC <sup>1</sup>	Dimensions	50 x 50.1 x 23 mm
No-load current, I <sub>0</sub>	≤ 30mA	Enclosure rating	IP 69K & IP 67 <sup>2</sup>
Output current, I <sub>e</sub>	≤ 100 mA	Material, housing	PC-ABS
Protective circuits	Reverse-polarity protection, U <sub>B</sub> / short-circuit protection (Q)	Material, front screen	PMMA
Protection Class	2	Type of connection	See Selection Table
Power On Delay	< 300 ms	Ambient temperature: operation	-20 ... +60 °C <sup>3</sup>
Switching output, Q	PNP/NPN (see Selection Table)	Ambient temperature: storage	-20 ... +80 °C
Output function	N.O./N.C.	Weight (plug device)	35 g
Switching frequency, f (ti/tp 1:1)	≤ 3500 Hz	Weight (cable device)	125 g
Response time	140 μs	Vibration and impact resistance	EN 60947-5-2
Control input, IN (receiver)	+U <sub>B</sub> = teach-in -U <sub>B</sub> = button locked Open = normal operation		
Control input, TEST (transmitter)	+U <sub>B</sub> = Test (transmitter off) -U <sub>B</sub> / Open = normal operation		

<sup>1</sup> Max. 10 % ripple, within U<sub>B</sub>, ~ 50 Hz / 100 Hz    <sup>2</sup> With connected IP 67 / IP 69K plug    <sup>3</sup> UL: max. +45 °C

Operating range	Switching output	Type of connection	Part number	Article number
0 ... 25 m	PNP	Plug, M12x1, 4-pin	FE 55-RL-PS-L4	620-21006
0 ... 25 m	NPN	Plug, M12x1, 4-pin	FE 55-RL-NS-L4	620-21007
0 ... 25 m	-	Plug, M12x1, 4-pin	FS 55-RL-L4	620-11002
0 ... 25 m	PNP	Cable, 3 m, 4-wire	FE 55-RL-PS-K4	620-21009
0 ... 25 m	NPN	Cable, 3 m, 4-wire	FE 55-RL-NS-K4	620-21010
0 ... 25 m	-	Cable, 3 m, 4-wire	FS 55-RL-K4	620-11003

<p><b>Plug connection (transmitter)</b></p>  <p>153-00808</p>	<p><b>Cable connection (transmitter)</b></p>  <p>153-00809</p>		
<p><b>Plug connection (receiver)</b></p>  <p>153-00812</p>	<p><b>Cable connection (receiver)</b></p>  <p>153-00813</p>		
<p><b>Connection, transmitter, 4-pin</b></p>  <p>154-00315</p>	<p><b>Connection, receiver, 4-pin</b></p>  <p>154-00312</p>		
<p><b>Functional reserves</b></p>  <p>155-01138</p>	<p><b>Light spot size</b></p>  <p>155-01139</p>		
<p><b>Accessories</b></p> <table border="1"> <tr> <td data-bbox="102 2060 619 2134"> <p>Connection cables</p> <p>From Page A-38</p> </td> <td data-bbox="619 2060 1337 2134"> <p>Brackets</p> <p>From Page A-4</p> </td> </tr> </table>		<p>Connection cables</p> <p>From Page A-38</p>	<p>Brackets</p> <p>From Page A-4</p>
<p>Connection cables</p> <p>From Page A-38</p>	<p>Brackets</p> <p>From Page A-4</p>		

# FS/FE 55-R

## Through-beam photoelectric sensor



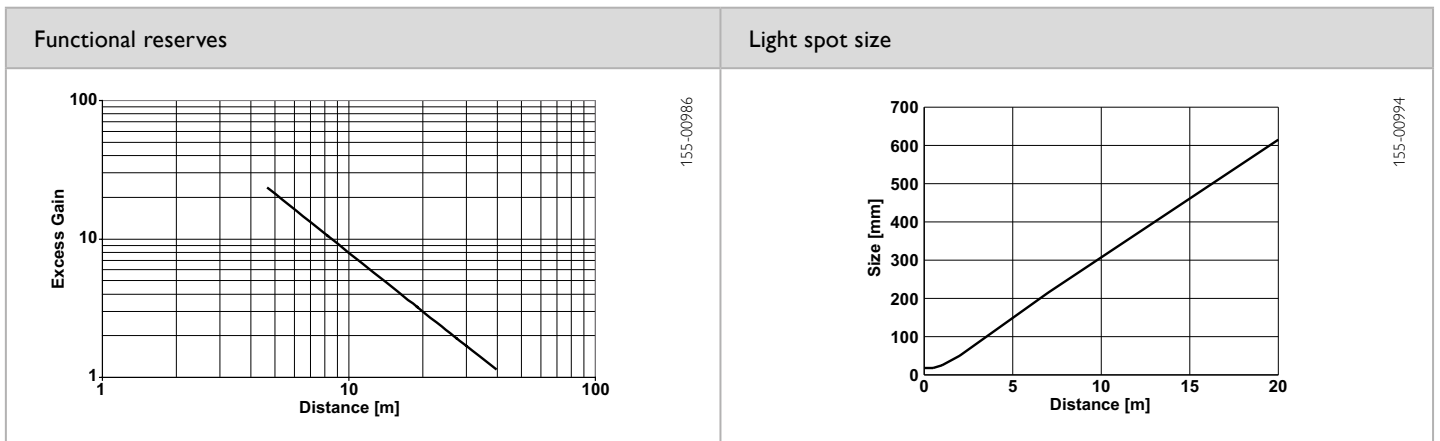
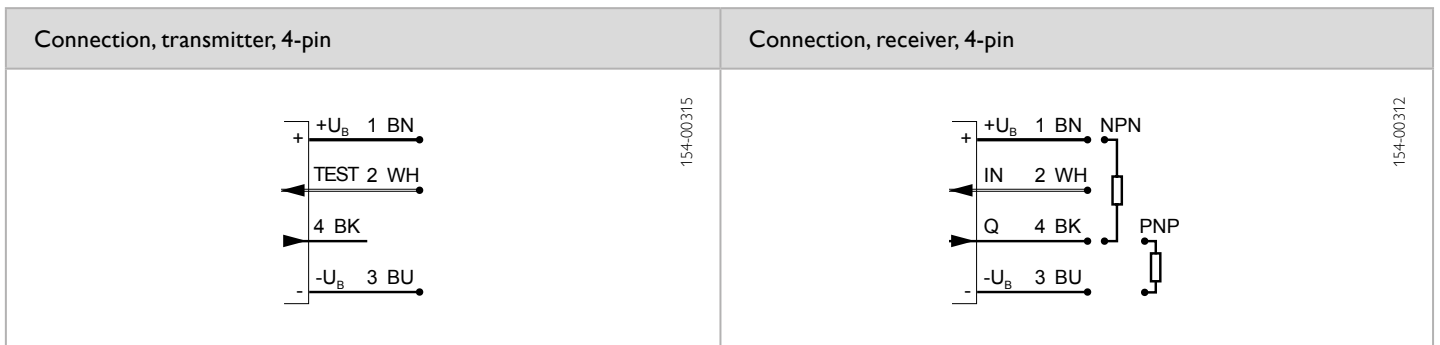
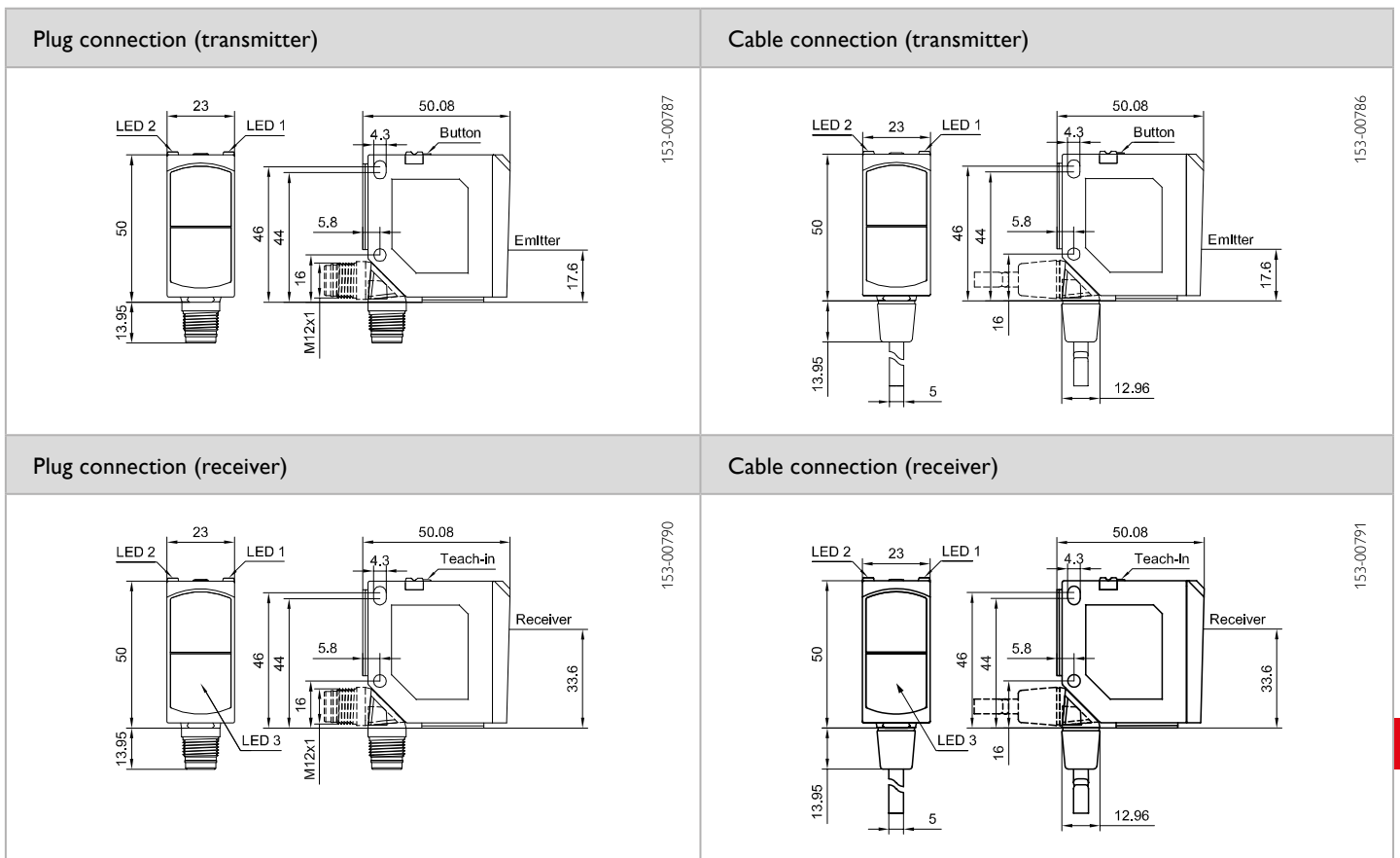
### PRODUCT HIGHLIGHTS

- Alignment indicator and easily visible light spot for simple alignment of the through-beam system
- Test input to check sensor pair function
- Sensor adjustment via teach-in and control input
- Plug and cable connection rotatable

Optical data		Functions	
Limit range	0 ... 25 m	Indicator LED, green	Operating voltage indicator
Operating range	0 ... 20 m	Indicator LED, yellow	Switching output indicator / contamination indicator
Type of light	LED, red, 640 nm	Indicator LED, red (receiver)	Alignment indicator
Light spot size	See diagram	Sensitivity adjustment (receiver)	Via Teach-in button and control input
		Teach-in modes	Mode 1: during running process Mode 2: during standing process
		Adjustment possibilities (receiver)	N.O./N.C. via Teach-in button and control input Button lock via control input
		Default settings	Max. range and N.O.
Electrical data		Mechanical data	
Operating voltage, +U <sub>B</sub>	10 ... 30V DC <sup>1</sup>	Dimensions	50 x 50.1 x 23 mm
No-load current, I <sub>0</sub>	≤ 30 mA	Enclosure rating	IP 69K & IP 67 <sup>2</sup>
Output current, I <sub>e</sub>	≤ 100 mA	Material, housing	PC-ABS
Protective circuits	Reverse-polarity protection, U <sub>B</sub> / short-circuit protection (Q)	Material, front screen	PMMA
Protection Class	2	Type of connection	See Selection Table
Power On Delay	< 300 ms	Ambient temperature: operation	-20 ... +60 °C <sup>3</sup>
Switching output, Q	PNP/NPN (see Selection Table)	Ambient temperature: storage	-20 ... +80 °C
Output function	N.O./N.C.	Weight (plug device)	35 g
Switching frequency, f (ti/tp 1:1)	≤ 500 Hz	Weight (cable device)	125 g
Response time	1 ms	Vibration and impact resistance	EN 60947-5-2
Control input, IN (receiver)	+U <sub>B</sub> = teach-in -U <sub>B</sub> = button locked Open = normal operation		
Control input, TEST (transmitter)	+U <sub>B</sub> = Test (transmitter off) -U <sub>B</sub> / Open = normal operation		

<sup>1</sup> Max. 10 % ripple, within U<sub>B</sub>, ~ 50 Hz / 100 Hz    <sup>2</sup> With connected IP 67 / IP 69K plug    <sup>3</sup> UL: max. +45 °C

Operating range	Switching output	Type of connection	Part number	Article number
0 ... 20 m	PNP	Plug, M12x1, 4-pin	FE 55-R-PS-L4	620-21000
0 ... 20 m	NPN	Plug, M12x1, 4-pin	FE 55-R-NS-L4	620-21001
0 ... 20 m	–	Plug, M12x1, 4-pin	FS 55-R-L4	620-11000
0 ... 20 m	PNP	Cable, 3 m, 4-wire	FE 55-R-PS-K4	620-21003
0 ... 20 m	NPN	Cable, 3 m, 4-wire	FE 55-R-NS-K4	620-21004
0 ... 20 m	–	Cable, 3 m, 4-wire	FS 55-R-K4	620-11001



Accessories			
Connection cables	From Page A-38	Brackets	From Page A-4