

BGS Sensor
That is designed in a smallest dimensions

S series

BGS-S series

Highest Reliability packed in
Smallest Dimensions (10 × 17 × 28mm)

■ Cable type

ST-400N/P	: Through-Beam type	: 4meter
SD-20N/P	: Diffused Reflection type	: 200mm
SR-150N/P	: Retro type with polarizing	: 1.5meter
BGS-S08N/P	: BGS	: 10 to 80mm

■ M8 connector type

ST-400CN/P	: Through-Beam type	: 4meter
SD-20CN/P	: Diffused Reflection type	: 200mm
SR-150CN/P	: Retro type with polarizing	: 1.5meter
BGS-S08CN/P	: BGS	: 10 to 80mm



Features

BGS sensors (BGS-S08N/P, etc) designed in smallest dimensions of 17×10×20mm
Ideal for OEM for Sorter of Printed Circuit Board

Compliance with applicable standards in major countries

Because of its strict compliance with CE, VDE, and UL, the S series can be used in major areas of world.
VDE Standard does not allow sparking from the sensor body even if the sensor encounters sudden electrical trouble (short-circuit, over-voltage, etc.)

High rigidity for 100G shock resistance

Rigid design for high resistance to shock such as contact or collision against object allows you to adopt the S series with ease.

0.5ms high speed response

It's the world's top level. The highest speed response among the amplifier built-in sensors.



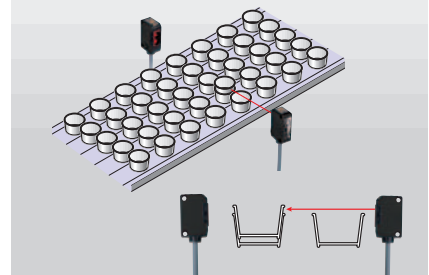
S series
M8 Connector type

S series
Cable type

Applications (example)

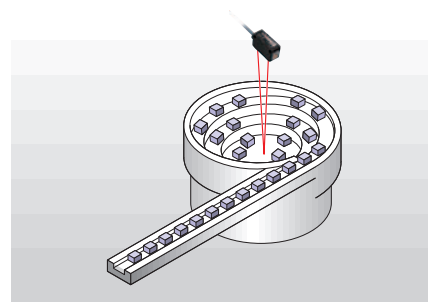
Double feeding of ice cream cup

Fine spot of ST-400 thru-beam type is helpful to sense double feeding of cups watching height of them.



Parts feeder

Ideal for such machines that would not allow good space for installing sensors.



Specifications

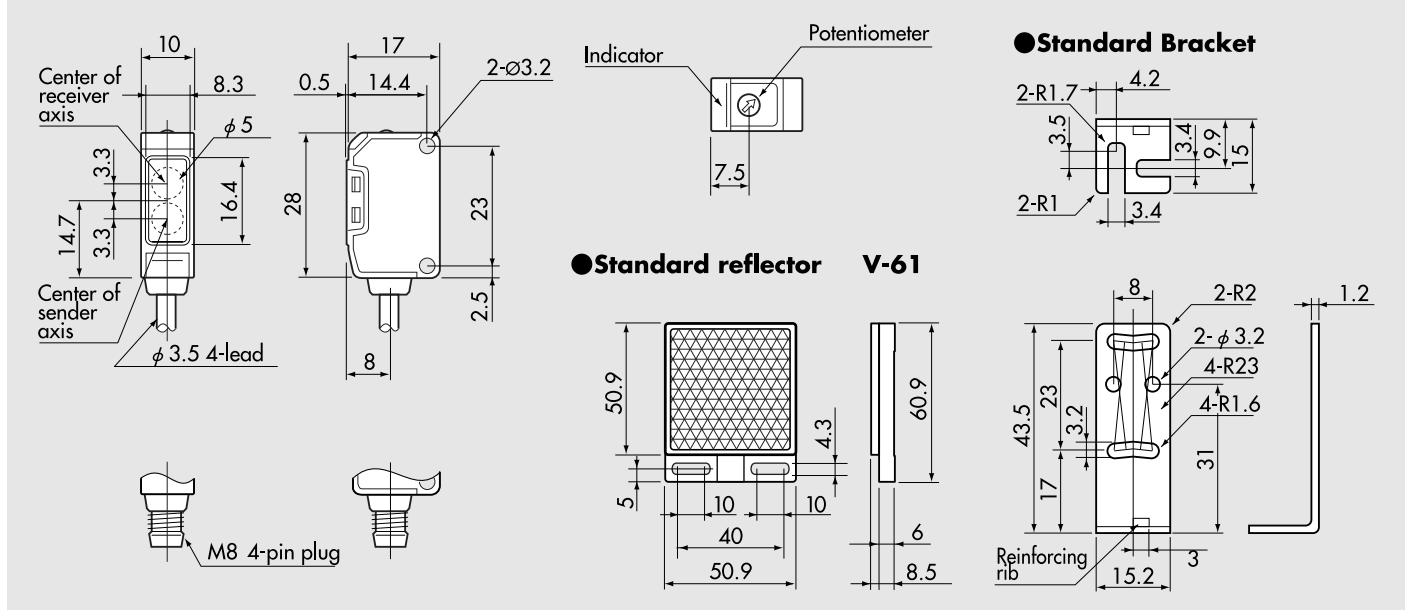
Model	Through-beam	Retro-reflection with polarizing Filter	Diffused reflection	BGS	
Cable type	NPN / PNP	ST-400N/P	SR-150N/P	SD-20N/P	BGS-S08N/P
M8 Connector type	NPN / PNP	ST-400CN/P	SR-150CN/P	SD-20CN/P	BGS-S08CN/P
Sensing range	4m	1.5m	20m	10 to 80mm	
Supply voltage	10 to 30 V DC including 10% of ripple				
Current consumption	30mA	20mA MAX			
Hysteresis	—	—	20% MAX	10% MAX	
Minimum Detecting	Ø6 opaque object	□45mm opaque object	—	—	
Response time	0.5msec Max				
Control output	NPN or PNP Open collector, 100mA Max / 30V DC				
Operation Mode	Light ON/Dark ON switchover				
Sensitivity adjustment	1-turn potentiometer			5-turn potentiometer	
Indicator	Red				
Ambient Temp/Humid	-25 to 55 °C / 35 to 85%RH				
Protection category	IP67				
Environment illuminance	Sunlight: 10,000lux max., Incandescent lamp: 3,000 lux max.				
Shock resistance	100G(1,000m/S ²), X-Y-Z axis 3times				
Vibration resistance	10 50 55 Hz amplitude 1.5mm, X-Y-Z for 2 hours				
Connection	"Cable type : Cable length 2m Ø3.5mm(Longer cable type of 5m is available as option) Connector type : M8 x 4-pin connector"				

Specifications

Type	Features
V-61	Reflection mirror for SR-150 (Standard accessory)
V-42	Small reflection mirror (Detection 1.0m)
JCN-L	L-shaped M8×4-pin connector cable 2m
JCN-S	Straight M8×4-pin connector cable 2m
BL-150-10	Slits for ST-400 (Width 4.5mm, 1.0mm, 2.0mm-enedless together in the packing box)
BEF-W150B	Fitting metal (Horizontal type)

Dimensions

(Unit: mm)



*Technical date, specsheet, instruction manual and this catalogue is available for download. Visit our Website ; <http://www.optex-fa.com>
For technical support please call our authorized distributor in your country that is also listed in our Website.



OPTEX FA CO., LTD.

607-8085 Kyoto, Yamashina-ku, Takehanadounomae-cho 46-1, Japan
TEL +81-75-594-8123 FAX +81-75-594-8124