

Linear-Transducer LMPS34 - CO

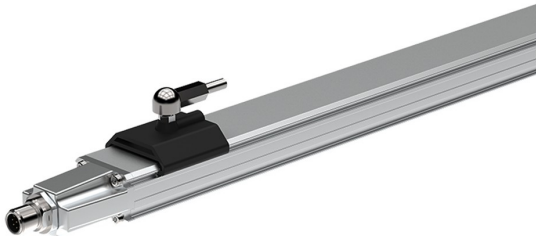
Ref.: K-LMPS34-CO-1

04.09.2019

0102011034

Advantages

- Flexible programming
- Further interfaces available
- Measures linear movements
- Position value - Adjustment
- Profile housing
- Simple integration



General Data

Supply	
- Supply voltage	24 VDC, -20...+10 %
Current consumption no load	<= 100 mA
Measuring principle	magnetostrictive
Measuring length, standard	50...3000 mm
Resolution	0.01 mm
Linearity deviation	<= ± 0.015 % FS (min ± 50 µm)
Reproducibility	<= ± 0.005 % FS (min ± 10 µm)
Characteristics - Validity	using original TR Magnets
Straight line velocity	no restrictions
Mounting position	no restrictions
Material - Measuring body	Aluminium extruded profile
Magnet	Slider
	other on request
CANopen - Interface	
- CANopen	EN 50325-4
- Bus connection	ISO 11898-1, ISO 11898-2
- CAN Specification 2.0 A	11-Bit Identifier
- Device-Profile for Encoder	CiA DS406
- Layer Setting Services, LSS	CiA DS305
- Layer Management Services, LMT	CiA DS205-1, DS205-2

Subject to change.

TR-Electronic GmbH
 Eglshalde 6
 78647 Trossingen
 Tel. +49 (0) 7425 228-0
 info@tr-electronic.de
www.tr-electronic.de

Linear-Transducer LMPS34 - CO

Ref.: K-LMPS34-CO-1

04.09.2019

0102011034

General Data continuation

Transmission rate	
- Specific value	10, 20, 50, 100, 125, 250, 500
- Specific value	800, 1000 kbit/s
- Specific value	Default: 500 kbit/s
- Adjustability	via LSS service, LMT service
Parameter/Function, changeable	Resolution
	Node-ID
	Preset parameter
	Transmission rate
	Counting direction
	Velocity parameter
Type of parametrization	programmable
Programming - Tool	Fieldbus-Device
Cycle time internal, <= 1.00 m	0.50 ms
Cycle time internal, <= 1.50 m	0.75 ms
Cycle time internal, <= 2.00 m	1.00 ms
Cycle time internal, <= 3.00 m	1.50 ms
Optional Magnets	
- Number of magnets	3
- Magnet - Minimum distance	80 mm

Environmental conditions

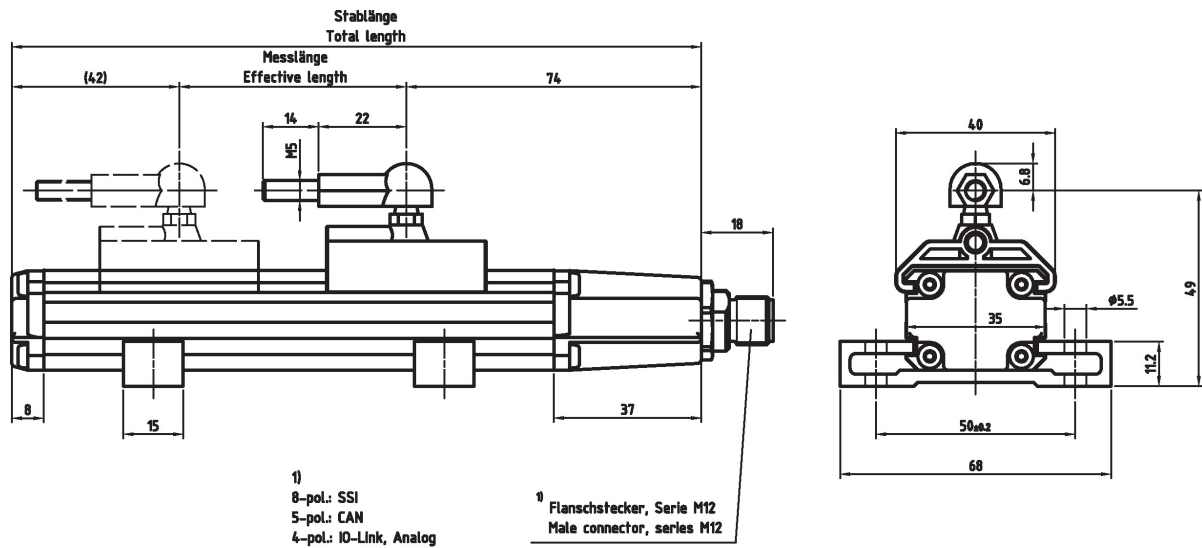
Vibration	DIN EN 60068-2-6
- Specific value	<= 100 m/s ²
- Sine	50...2000 Hz
Shock	DIN EN 60068-2-27
- Specific value	<= 1000 m/s ²
- Half sine	11 ms
Immunity to disturbance	DIN EN 61000-6-2
Transient emissions	DIN EN 61000-6-3
Working temperature	
- Standard	-40...+80 °C
Storage temperature, dry	-40...+85 °C
Relative humidity	98 %, non condensing
Protection class	
- Standard	IP67

Subject to change.

Linear-Transducer LMPS34 - CO

Ref.: K-LMPS34-CO-1
 04.09.2019
 0102011034

Dimensional drawing



Subject to change.

TR-Electronic GmbH
 Eglshalde 6
 78647 Trossingen
 Tel. +49 (0) 7425 228-0
 info@tr-electronic.de
www.tr-electronic.de

Linear-Transducer LMPS34 - CO

Ref.: K-LMPS34-CO-1

04.09.2019

0102011034

Suggested products

LMPS_34*200 CAN OPEN

345-00004

Subject to change.