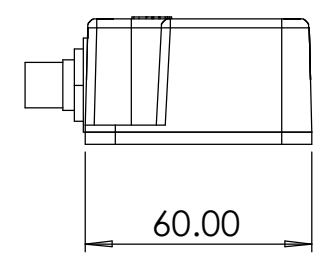
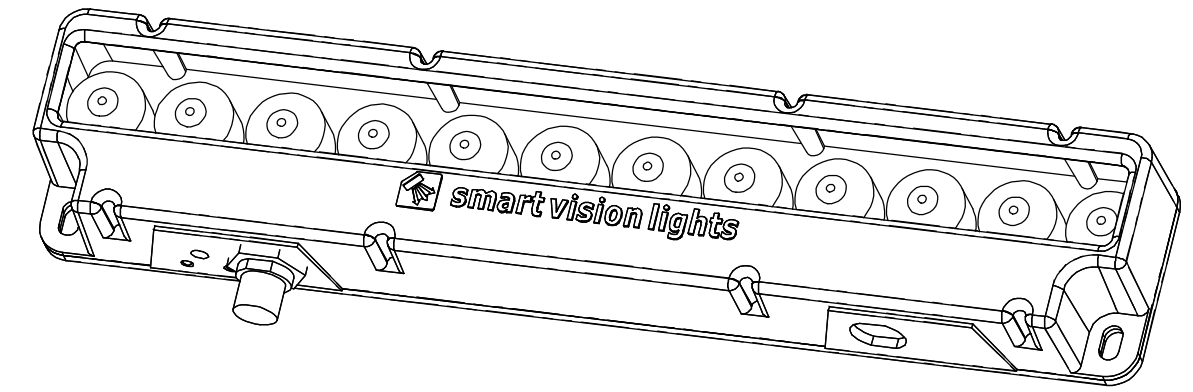
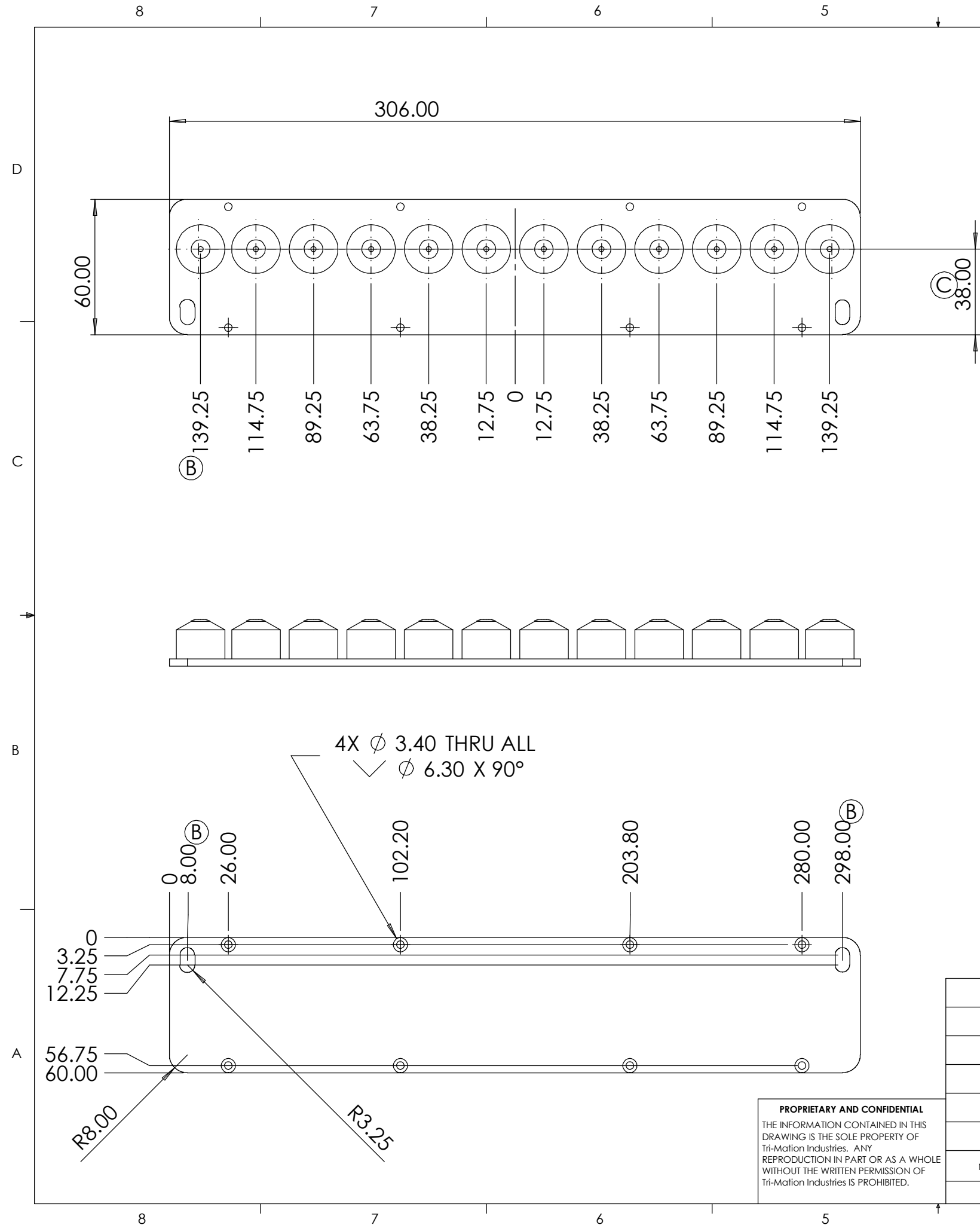


REVISIONS				
ZONE	REV.	DESCRIPTION	DATE	APPROVED
	A	RELEASED	7/16/2007	
	B	DIM 290.0 WAS 280.0	7/24/2007	

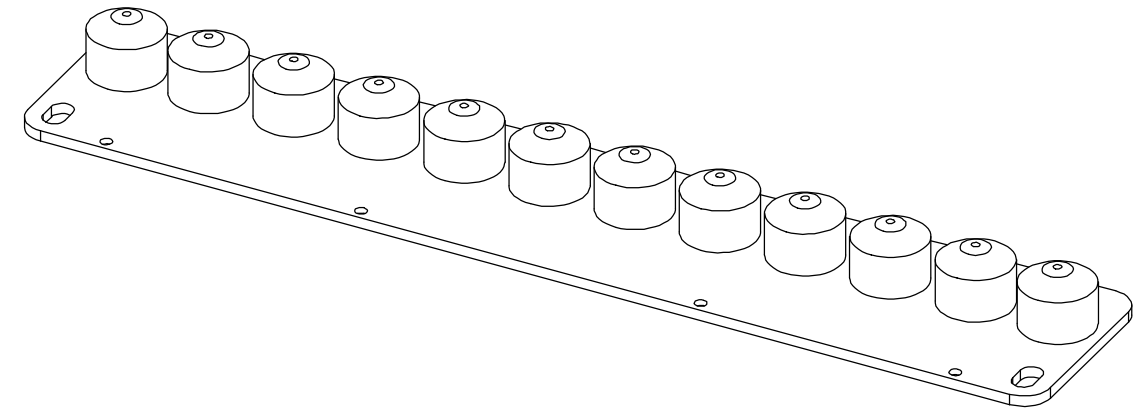


PROPRIETARY AND CONFIDENTIAL
 THE INFORMATION CONTAINED IN THIS DRAWING IS THE SOLE PROPERTY OF Tri-Mation Industries. ANY REPRODUCTION IN PART OR AS A WHOLE WITHOUT THE WRITTEN PERMISSION OF Tri-Mation Industries IS PROHIBITED.

		UNLESS OTHERWISE SPECIFIED:		DATE	NAME	07168-001	
		DIMENSIONS ARE IN MM		DRAWN BY	7/25/2007	SmartVisionLights.Com	
		TOLERANCES:		CHECKED		matt@smartvisionlights.com	
		FRACTIONAL ±1-64		ENG APPR.		SIZE DWG. Name REV	
		ANGULAR: MACH ±.25° BEND ±3°		MFG APPR.		B 07168-001	
		TWO PLACE DECIMAL ±.10 mm		Q.A.		SCALE: 1:2 SHEET 1 OF 5	
		THREE PLACE DECIMAL ±.01 mm		COMMENTS:			
		INTERPRET GEOMETRIC TOLERANCING PER:					
		MATERIAL					
		FINISH					
NEXT ASSY	USED ON	APPLICATION					

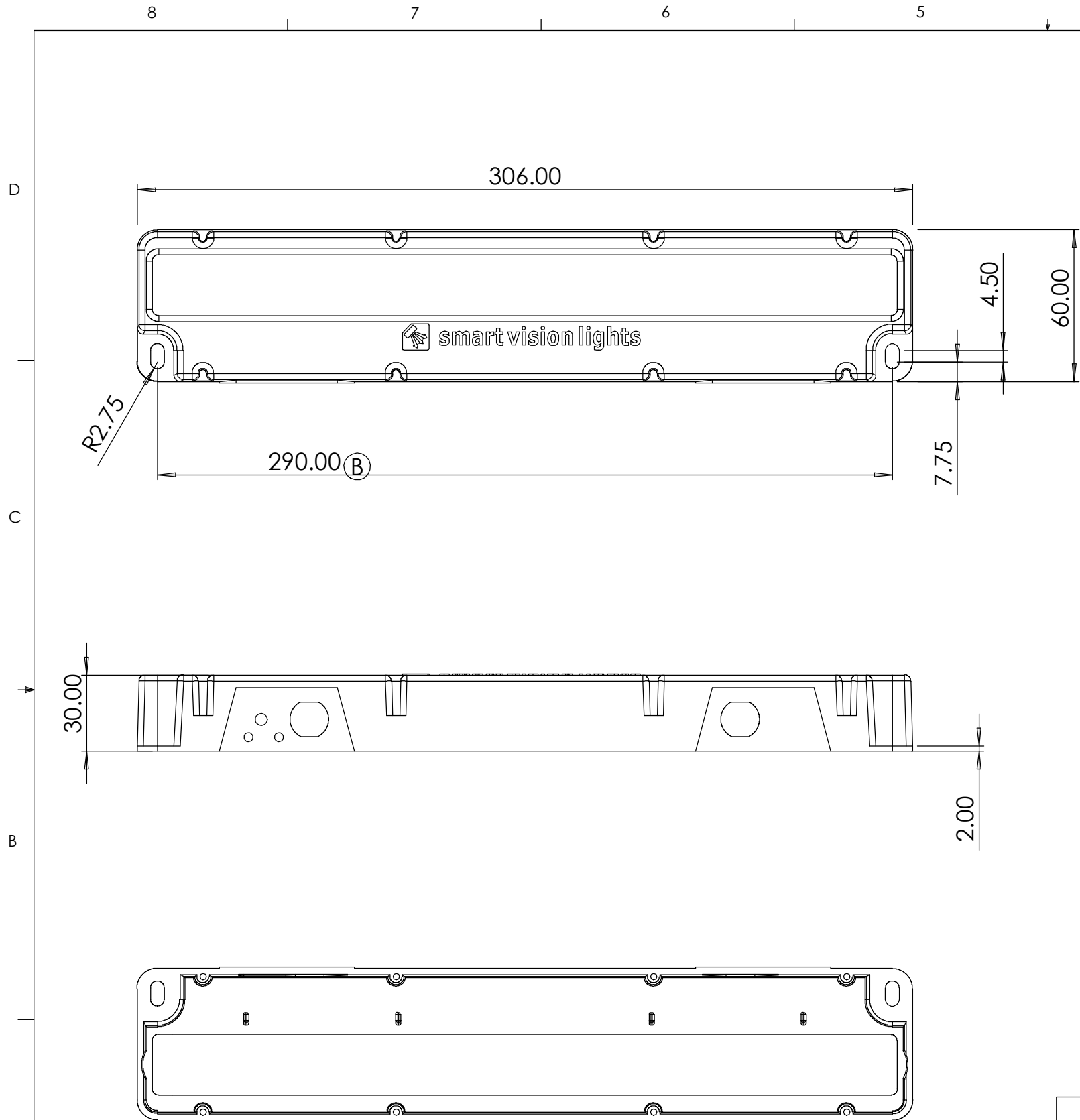


REVISIONS				
ZONE	REV.	DESCRIPTION	DATE	APPROVED
	A	RELEASED	7/16/2007	
	B	DIM 139.25 WAS 140.25 DIM 8.0 WAS 13.00 DIM 298.0 WAS 293.00	7/24/2007	
	C	dim 38.00 was 40.00	7/25/2007	

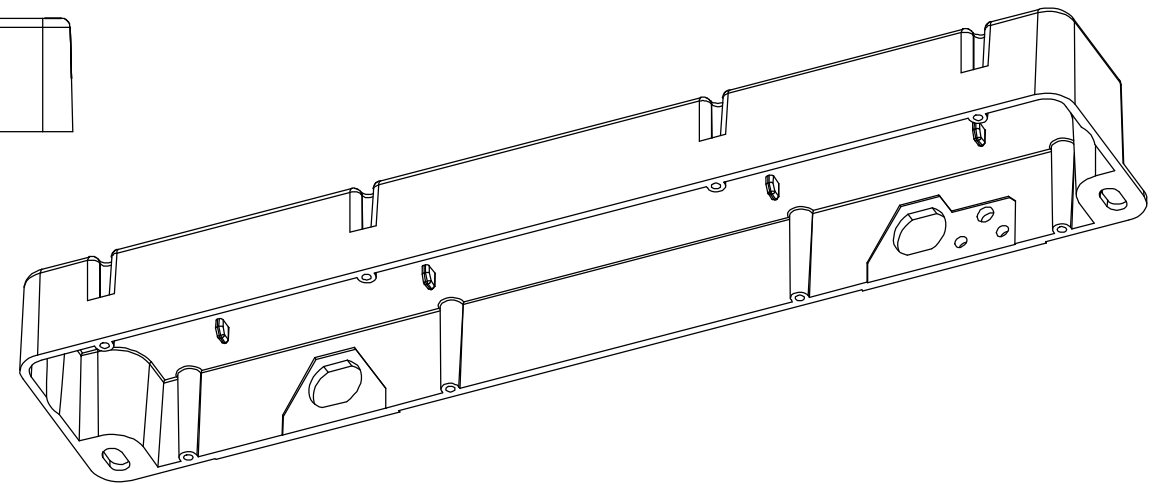
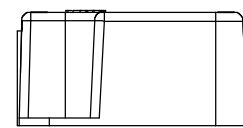
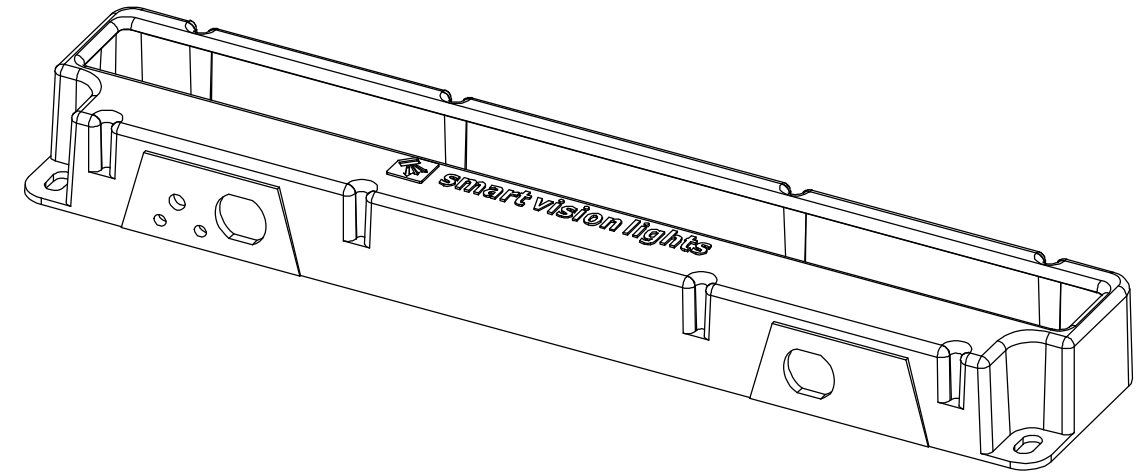


PROPRIETARY AND CONFIDENTIAL
 THE INFORMATION CONTAINED IN THIS DRAWING IS THE SOLE PROPERTY OF Tri-Mation Industries. ANY REPRODUCTION IN PART OR AS A WHOLE WITHOUT THE WRITTEN PERMISSION OF Tri-Mation Industries IS PROHIBITED.

		UNLESS OTHERWISE SPECIFIED:	DATE	NAME	07168-020	
		DIMENSIONS ARE IN MM	DRAWN BY	7/25/2007	SmartVisionLights.Com	
		TOLERANCES:	CHECKED		matt@smartvisionlights.com	
		FRACTIONAL \pm 1-64	ENG APPR.		SIZE	DWG. Name
		ANGULAR: MACH \pm .25° BEND \pm 3°	MFG APPR.		B	07168-001
		TWO PLACE DECIMAL \pm .10 mm	Q.A.		SCALE: 1:2	REV
		THREE PLACE DECIMAL \pm .01 mm	COMMENTS:			SHEET 2 OF 5
INTERPRET GEOMETRIC TOLERANCING PER:	MATERIAL	6061 Alloy				
FINISH	n/a					
NEXT ASSY	USED ON					
APPLICATION						



REVISIONS				
ZONE	REV.	DESCRIPTION	DATE	APPROVED
	A	RELEASED	7/16/2007	
	B	DIM 290.0 WAS 280.0	7/24/2007	

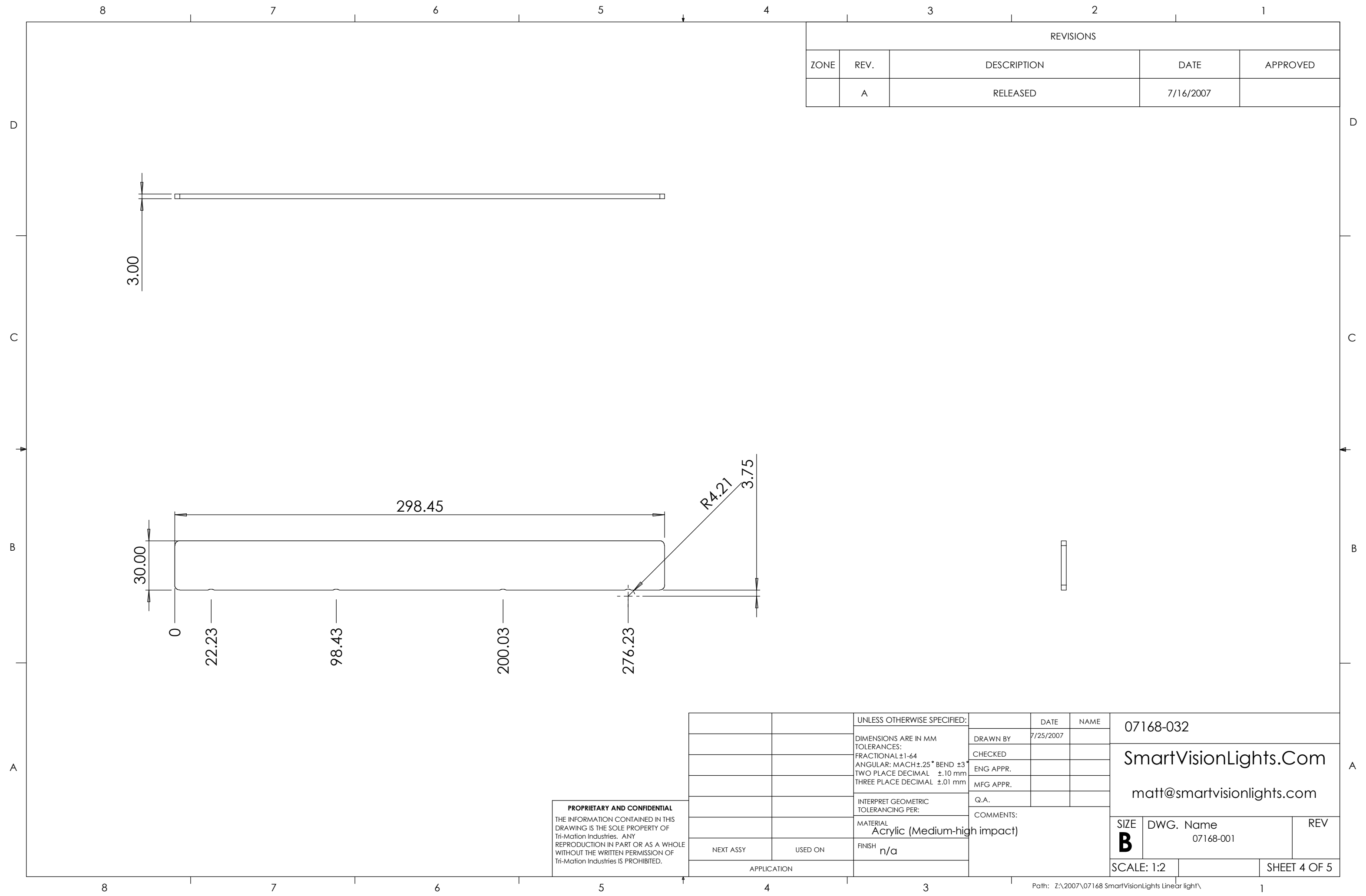


VOLUME:
73977.25 mm³

PROPRIETARY AND CONFIDENTIAL
THE INFORMATION CONTAINED IN THIS DRAWING IS THE SOLE PROPERTY OF Tri-Mation Industries. ANY REPRODUCTION IN PART OR AS A WHOLE WITHOUT THE WRITTEN PERMISSION OF Tri-Mation Industries IS PROHIBITED.

		UNLESS OTHERWISE SPECIFIED:	DATE	NAME	07168-030	
		DIMENSIONS ARE IN MM	DRAWN BY	7/25/2007	SmartVisionLights.Com	
		TOLERANCES:	CHECKED		matt@smartvisionlights.com	
		FRACTIONAL ±1-64	ENG APPR.		SIZE	DWG. Name
		ANGULAR: MACH ±.25° BEND ±3°	MFG APPR.		B	07168-001
		TWO PLACE DECIMAL ±.10 mm	Q.A.		SCALE: 1:2	REV
		THREE PLACE DECIMAL ±.01 mm	COMMENTS:			
NEXT ASSY	USED ON	MATERIAL				
APPLICATION		FINISH				

REVISIONS				
ZONE	REV.	DESCRIPTION	DATE	APPROVED
	A	RELEASED	7/16/2007	

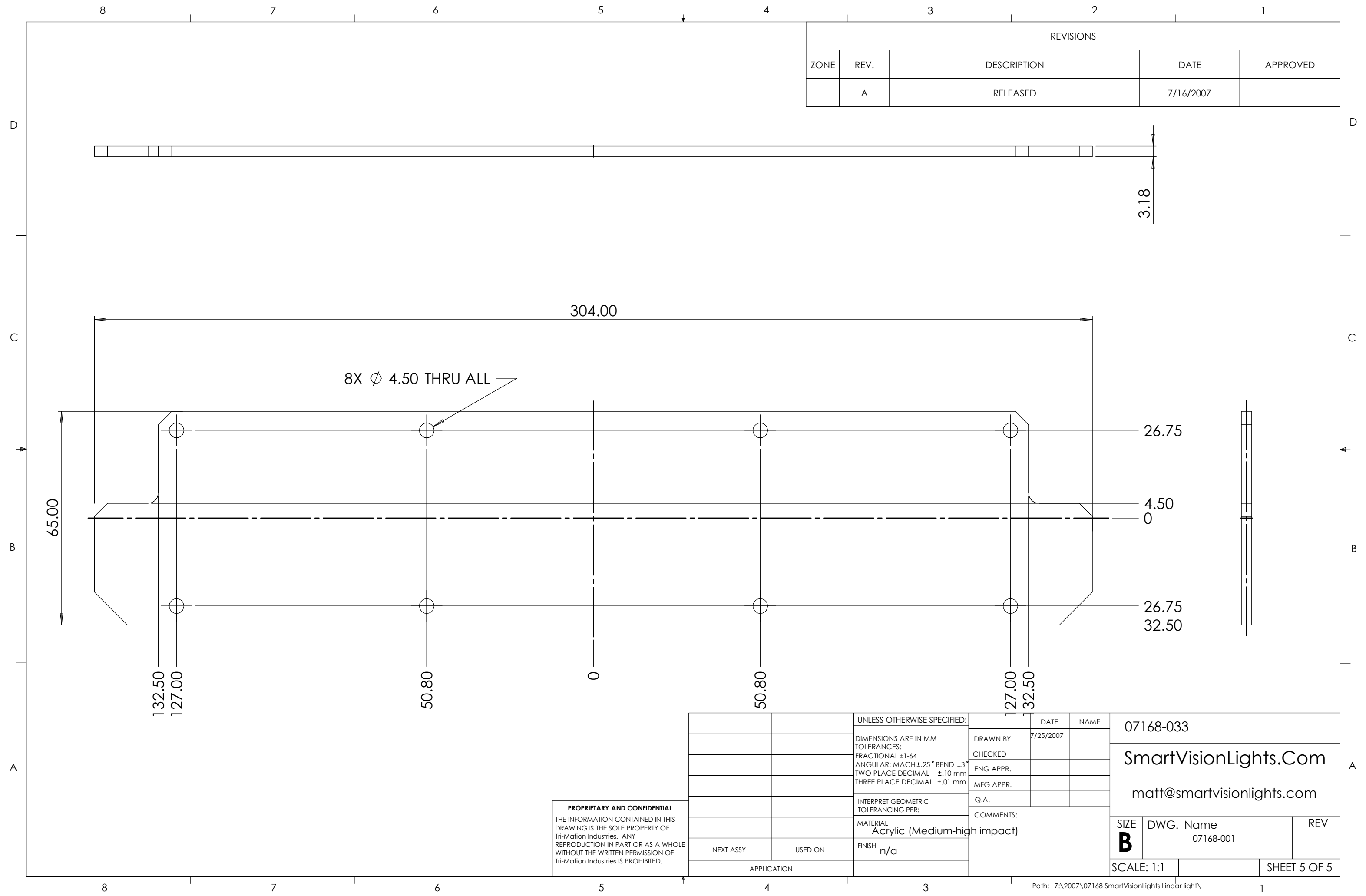


PROPRIETARY AND CONFIDENTIAL
 THE INFORMATION CONTAINED IN THIS DRAWING IS THE SOLE PROPERTY OF Tri-Mation Industries. ANY REPRODUCTION IN PART OR AS A WHOLE WITHOUT THE WRITTEN PERMISSION OF Tri-Mation Industries IS PROHIBITED.

		UNLESS OTHERWISE SPECIFIED:		DATE	NAME
		DIMENSIONS ARE IN MM	DRAWN BY	7/25/2007	
		TOLERANCES:	CHECKED		
		FRACTIONAL ±1-64	ENG APPR.		
		ANGULAR: MACH ±.25° BEND ±3°	MFG APPR.		
		TWO PLACE DECIMAL ±.10 mm	Q.A.		
		THREE PLACE DECIMAL ±.01 mm	COMMENTS:		
		INTERPRET GEOMETRIC TOLERANCING PER:			
		MATERIAL			
		Acrylic (Medium-high impact)			
		FINISH			
		n/a			
NEXT ASSY	USED ON				
APPLICATION					

07168-032		
SmartVisionLights.Com		
matt@smartvisionlights.com		
SIZE	DWG. Name	REV
B	07168-001	
SCALE: 1:2		SHEET 4 OF 5

REVISIONS				
ZONE	REV.	DESCRIPTION	DATE	APPROVED
	A	RELEASED	7/16/2007	



PROPRIETARY AND CONFIDENTIAL
 THE INFORMATION CONTAINED IN THIS DRAWING IS THE SOLE PROPERTY OF Tri-Mation Industries. ANY REPRODUCTION IN PART OR AS A WHOLE WITHOUT THE WRITTEN PERMISSION OF Tri-Mation Industries IS PROHIBITED.

		UNLESS OTHERWISE SPECIFIED:	DATE	NAME
		DIMENSIONS ARE IN MM	7/25/2007	
		TOLERANCES:	DRAWN BY	
		FRACTIONAL ±1-64	CHECKED	
		ANGULAR: MACH ±.25° BEND ±3°	ENG APPR.	
		TWO PLACE DECIMAL ±.10 mm	MFG APPR.	
		THREE PLACE DECIMAL ±.01 mm	Q.A.	
		INTERPRET GEOMETRIC TOLERANCING PER:	COMMENTS:	
		MATERIAL	Acrylic (Medium-high impact)	
		FINISH	n/a	
NEXT ASSY	USED ON			
APPLICATION				

07168-033		
SmartVisionLights.Com		
matt@smartvisionlights.com		
SIZE	DWG. Name	REV
B	07168-001	
SCALE: 1:1		SHEET 5 OF 5