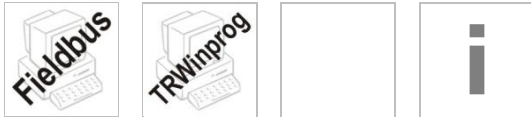


Laser Measuring Device LE 200 - CO

TR-VLA-TI-GB-0130
06/12 Revision 04
010203-02000302-XXXX



- + CANopen interface
- + Robust
- + Measurement of linear movement
- + Non contact distance measurement
- + Measuring distance up to 125m, 170m, 195m other distances on request
- + Parametrizable
- + Further interfaces available
- + Customized adaptations upon request

Characteristics

Supply voltage.....	Standard: 18...27 V DC \pm 5 %, with heating: 24 V DC \pm 5 %
Current consumption, without load.....	Standard: < 350 mA, with heating: < 2.5 A
Measurement principle.....	Phase shift measurement
Measuring length, against reflector foil	0.2...125 m standard, 170m, 195m (special devices)
Resolution selectable ¹⁾	physical resolution 0.1 mm
Linearization	
- up to 12 m, standard.....	absolute linearity error \pm 3 mm
- complete measuring length.....	absolute linearity error \pm 5 mm
Reproducibility	\pm 2 mm
Laser diode, red light.....	Laser Protection Class 2 according to DIN EN 60 825-1: 2003-10
- Wave length λ	670 nm
- Laser power	$P_{\max} \leq 1$ mW
- Lifetime, 25 °C	50 000 h
Measurand output / refresh rate	1000 values / s
Integration time	1 ms
Programmable via RS485	WINDOWS® compatible (TRWinProg) / CANopen
CANopen.....	EN 50325-4
- Bus connection.....	ISO 11898-1, ISO 11898-2
- CAN Specification 2.0 A	11-bit identifier
- Device profile for encoders.....	CiA DS 406
- Parameter ¹⁾	Count direction, Resolution, Preset value among others
- Output code	Binary
- Node-ID.....	1...64, adjustable about DIP-switches
- Baud rate	20 kbit/s, 125 kbit/s, 500 kbit/s, 1 Mbit/s; adjustable about DIP-switches
Switching input / Switching output ¹⁾	
- Levels switching input.....	1-level > +8 V, 0-level < +2 V, up to \pm 35V, 5 kOhm
- Levels switching output	1-level > US-2 V, 0-level < 1 V, up to 100 mA

¹⁾ programmable parameter

Subject to change

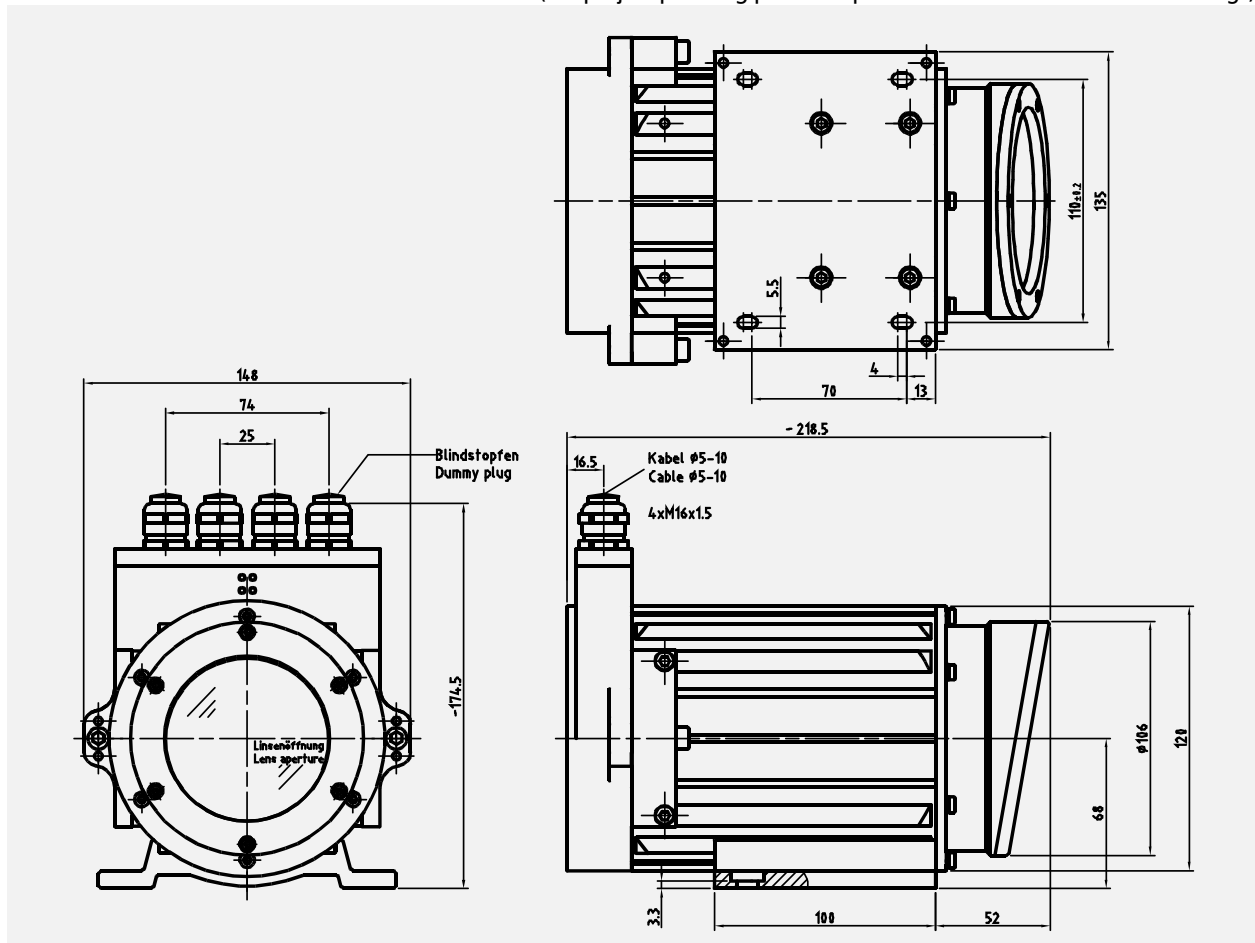
Environmental conditions

Vibration, DIN EN 60068-2-6: 1996	≤ 50 m/s ² , sine 50-2000 Hz
Shock, DIN EN 60068-2-27: 1995.....	≤ 300 m/s ² , half-sine 11ms
EMC	
- Immunity to disturbance, DIN EN 61000-6-2: 2006	
- Transient emissions, DIN EN 61000-6-3: 2007	
Working temperature	
- Standard	0...50 °C
- With heating	-30 °C...+50 °C
- Optional limit temperature.....	≤ +70 °C
Storage temperature	-20 °C...+75 °C, dry
Thermal drift, related to the max. measuring length.....	1 ppm / °C at 125 m, 170 m or 195 m
Relative humidity, DIN EN 60068-3-4: 2002	98 %, non condensing
Protection class, DIN EN 60529: 1991 ²⁾	IP 65

²⁾ valid with screwed on mating connector and / or screwed together cable gland

Dimension drawing

(For project planning please request customized dimensional drawing!)



Subject to change