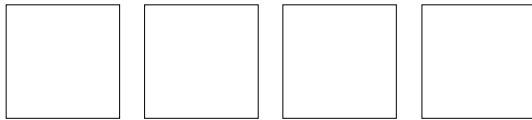


Double clamping LP / Position sensors

Eglshalde 6
 D-78647 Trossingen
 Tel. +49 - (0) 74 25 / 228 - 0
 Fax +49 - (0) 74 25 / 228 - 33
<http://www.tr-electronic.de>
 Germany



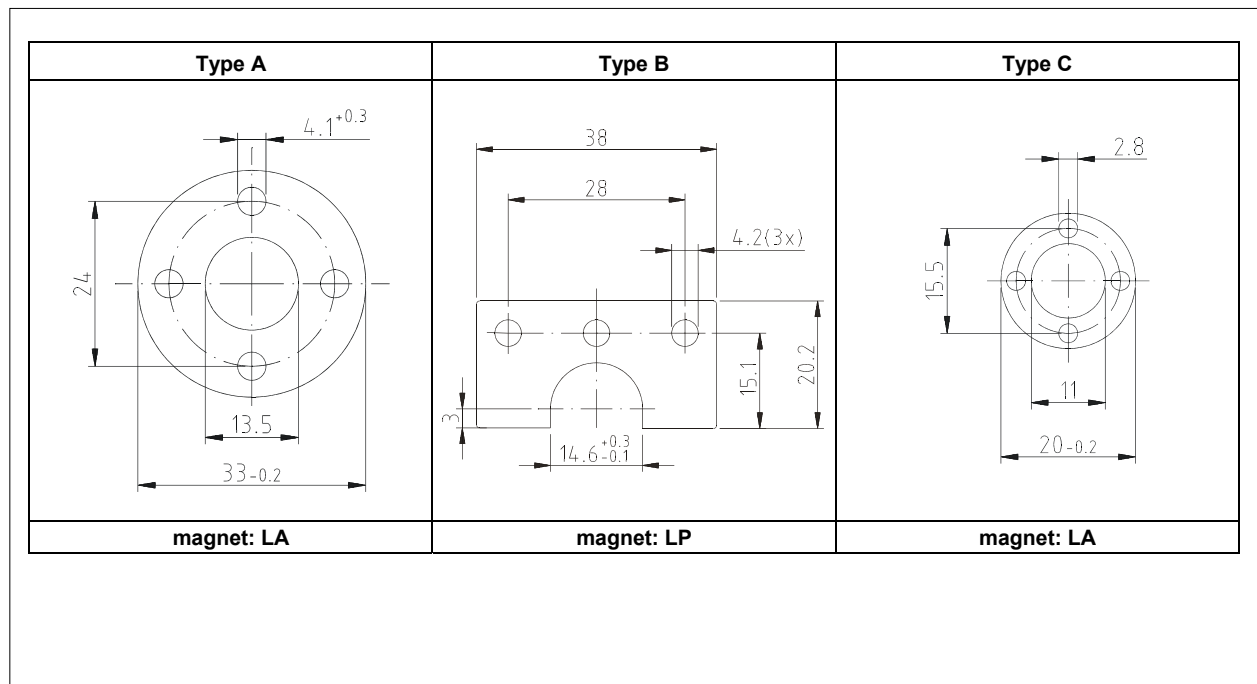
- Position sensors for linear-absolute encoders: LA / LP
- Mounting accessories for linear-absolute encoder system: LP

Mechanical characteristic data

Type	Name	Material	Size in mm	Device	Art.No.
A	magnet: T4M33	Plastic	8	LA	49-155-016
B	magnet: T4U3820	PPE 30% fiberglass	8	LP	49-155-003
C	magnet: T4M20	Alu	8	LA	49-155-004
D	magnet: T4M22	Alu	8	LA	49-155-005
E	magnet: T3U64	PPE 30% fiberglass	8	LA	49-155-006
F	swimmer: K4-M51	1.4571	-----	LA	49-915-080
G	double clamping	Alu	15	LP	85-917-002

Pos. G : includes 2xdouble clamps, 4xhexagon socket screws M5x20 DIN 912 8.8VZ, 4xseating rings M5 DIN 125-B VZ

Dimensional drawing



Dimensional drawing

