

## Linear-Transducer LMRB27 - CO

**Abb. ähnlich**  
**Stock photo**



**Ref.: K-LMRB27-CO-1**

19.12.2016

0102019999

### Advantages

- \_ Customer-specific solutions
- \_ Flexible programming
- \_ Further interfaces available
- \_ Measures linear movements
- \_ Perfect fit for cylinders
- \_ Position value - Adjustment
- \_ Pressure proof tube housing
- \_ Remote interface
- \_ Wear-free detection

### General Data

Supply	
- Supply voltage	24 VDC, -20...+10 %
Current consumption no load	<= 100 mA
Measuring principle	magnetostrictive
Measuring length, standard	50...4000 mm, in steps
Resolution	0.1 mm
Linearity deviation	± 0.20 mm <= 2000 mm
Reproducibility	0.1 mm
Hysteresis	0.1 mm <= 2000 mm
Valid only	using original TR Magnets
Temperature coefficient	< 8 µm/°C <= 500 mm
	< 15 ppm/°C FS > 500 mm
- FS:	Full-Scale
Straight line velocity	no restrictions
Mounting position	no restrictions
Rod end mounting	Option
Magnet	T4-M33
	other on request
CANopen - Interface	
- CANopen	EN 50325-4
- Bus connection	ISO 11898-1, ISO 11898-2

**Subject to change.**

TR-Electronic GmbH  
Eglisshalde 6  
78647 Trossingen  
Tel. +49 (0) 7425 228-0  
info@tr-electronic.de  
[www.tr-electronic.de](http://www.tr-electronic.de)

# Linear-Transducer LMRB27 - CO

Ref.: K-LMRB27-CO-1

19.12.2016

0102019999

## General Data continuation

- CAN Specification 2.0 A	11-Bit Identifier
- Device-Profile for Encoder	CiA DS406
- Layer Setting Services, LSS	CiA DS305
- Layer Management Services, LMT	CiA DS205-1, DS205-2
Transmission rate	
- Specific value	10, 20, 50, 100, 125, 250, 500
- Specific value	800, 1000 kbit/s
- Specific value	Default: 500 kbit/s
- Adjustability	by means of rotary-switches
- Adjustability	via LSS service, LMT service
Parameter/Function, changeable	Resolution
	Node-ID
	Preset parameter
	Transmission rate
	Counting direction
	Velocity parameter
Type of parametrization	programmable
Programming - Tool	Fieldbus-Device
	TR-Soft: TRWinProg
Cycle time internal, <= 2.00 m	2.00 ms
Optional Magnets	
- Number of magnets	3
- Magnet - Minimum distance	80 mm

## Environmental conditions

Vibration	
- Specific value	<= 100 m/s <sup>2</sup>
- Sine	50...2000 Hz
Shock	
- Specific value	<= 1000 m/s <sup>2</sup>
- Half sine	11 ms
Immunity to disturbance	DIN EN 61000-6-2
Transient emissions	DIN EN 61000-6-3
Working temperature	
- Standard	0...+70 °C
- Optional	-20...+70 °C;

Subject to change.

## Linear-Transducer LMRB27 - CO

Ref.: K-LMRB27-CO-1

19.12.2016

0102019999

### Environmental conditions continuation

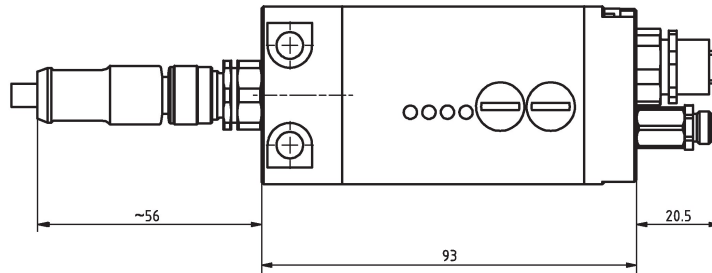
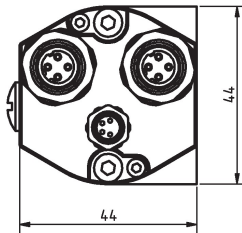
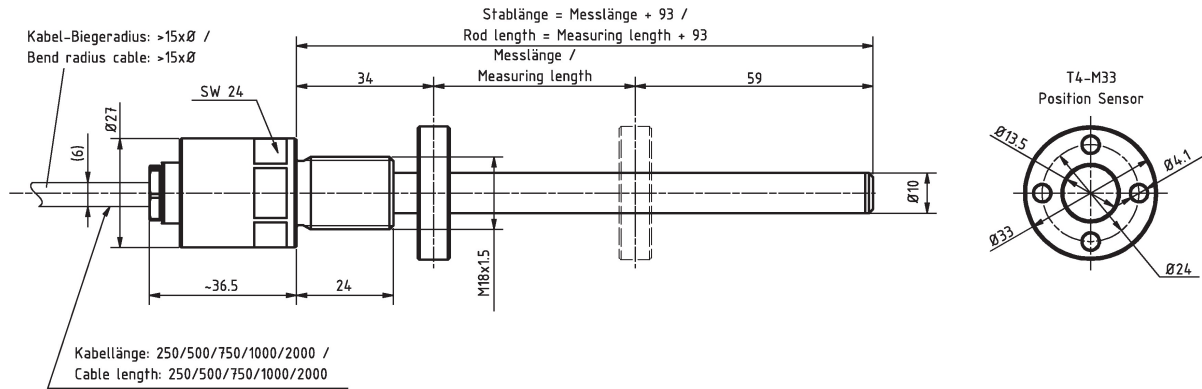
Storage temperature, dry	-30...+85 °C
Relative humidity	98 %, non condensing
Protection class - Standard	IP65
Stray magnetic field	< 3 mT
Measuring reference	Measuring plane
Pressure resistance - Optional	600 bar, static

Subject to change.

# Linear-Transducer LMRB27 - CO

Ref.: K-LMRB27-CO-1  
 19.12.2016  
 0102019999

## Dimensional drawing



Fehlende Abmaße, siehe Art-Nr.-bezogene Zeichnung /  
 Missing dimensions, see Art-No. related drawing

Subject to change.

TR-Electronic GmbH  
 Eglisshalde 6  
 78647 Trossingen  
 Tel. +49 (0) 7425 228-0  
 info@tr-electronic.de  
[www.tr-electronic.de](http://www.tr-electronic.de)