

Incremental-Encoder IEH58:2 2...10000 Imp

Ref.: K-IEH58:2-INC-1

26.10.2014

0101010582

Advantages

- _ Flexible programming
- _ Imp./Rev. 1-step from 2...x
- _ Modular mechanical design
- _ Modular product line
- _ Programmable output stages
- _ Wide range power supply



General Data

Nominal voltage	
- Specific value	24 VDC
- Limit values, min/max	4.5/32 VDC
Nominal current, typically	
- Specific value	50 mA
- Condition	unloaded
Signal form	Square
Incremental signals, square	
- Channels	K1+ K1- K2+ K2-
- Phase position, electrically	90 °
Zero pulse	
- Channel (Channels)	K0+ K0-
- Number of revolutions	1x
Impulses, square wave	>= 2...<= 10000
Output stages	
- Programmable	TTL or HTL
Output driver, TTL	
- Output level	RS-422, 5 VDC
- Load current	<= 50 mA
Output driver, HTL	
- Output level	Supply voltage - 1.5 V
- Load current	<= 30 mA
- Minimum voltage of the supply	> 8 VDC

Subject to change.

TR-Electronic GmbH
 Eglshalde 6
 78647 Trossingen
 Tel. +49 (0) 7425 228-0
 info@tr-electronic.de
www.tr-electronic.de

Incremental-Encoder IEH58:2 2...10000 Imp

Ref.: K-IEH58:2-INC-1

26.10.2014

0101010582

General Data continuation

Speed, electrically [1/min]	1.5E+7 / Pulses per revolution
Parameter/Function, changeable	Number of pulses
	0-Pulse K0: Pulse length
	0-Pulse K0: Number of pulses
	Phase position: K0/K1/K2
	Preset parameter
	Counting direction
	Output stage (TTL/HTL)
Type of parametrization	programmable
Programming - Tool	TR-Soft: TRWinProg
External inputs	
- F/R	Count direction
- Preset	electronic adjustment
- Logic level	"0" < +2V, "1" = Supply
External outputs	
- Error output	Speed
- Output level	<= 40 VDC, <= 50 mA
- Output stages	Open Collector
- Equipment	Option
Maximum Speed, mechanically	<= 6000 1/min
Shaft load, axial/radial	Own mass
Bearing life time	>= 3.9E+10 revolutions
Bearing life time - Parameter	
- Speed	6000 1/min
- Operating temperature	60 °C
Shaft type	
- Shaft diameter [mm]	6
- Shaft diameter [mm]	8
- Shaft diameter [mm]	10
- Shaft diameter [mm]	12
- Shaft diameter [mm]	14
- Shaft diameter [mm]	15
- Shaft diameter ["]	1/4
- Shaft diameter ["]	3/8
- Shaft diameter ["]	1/2
Angular acceleration	<= 10E+4 rad/s ²
Moment of inertia, typically	2.5E-6 kg m ²
Start-up torque, 20 °C	3.7 Ncm

Subject to change.

Incremental-Encoder IEH58:2 2...10000 Imp

Ref.: K-IEH58:2-INC-1
26.10.2014
0101010582

General Data continuation

Concentricity tolerance	± 0.03 mm
Mass, typically	0.3...0.5 kg

Environmental conditions

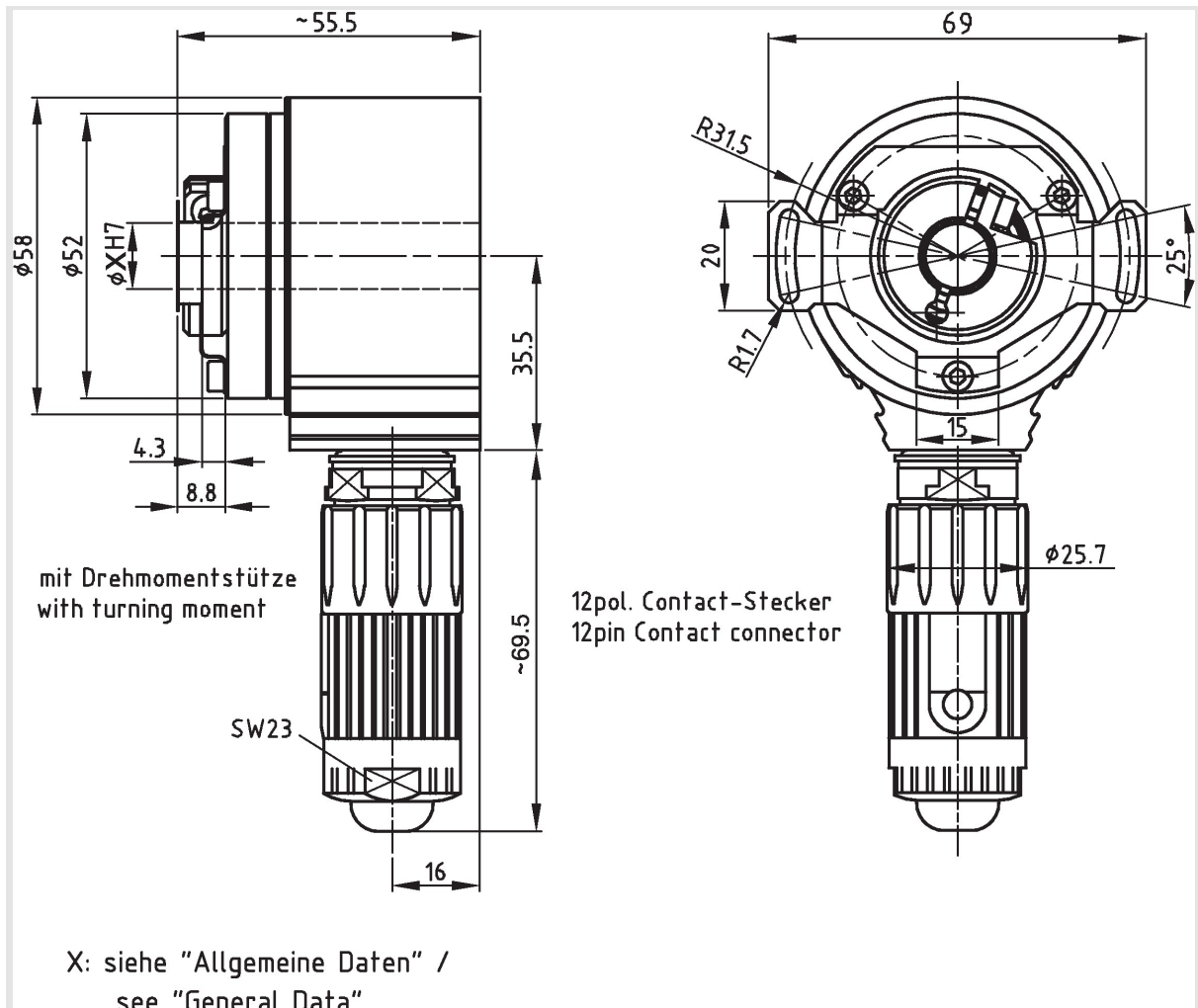
Vibration	
- Specific value	<= 100 m/s ²
- Sine	50...2000 Hz
Shock	
- Specific value	<= 1000 m/s ²
- Half sine	11 ms
Immunity to disturbance	DIN EN 61000-6-2
Transient emissions	DIN EN 61000-6-3
Working temperature	
- Standard	-20...+75 °C
- Optional	-40...+100 °C;
Storage temperature, dry	-30...+80 °C
Relative humidity	98 %, non condensing
Protection class	
- Standard	IP65 shaft side
- Standard	IP67 housing side

Subject to change.

Incremental-Encoder IEH58:2 2...10000 Imp

Ref.: K-IEH58:2-INC-1
 26.10.2014
 0101010582

Dimensional drawing



Subject to change.

TR-Electronic GmbH
 Eglshalde 6
 78647 Trossingen
 Tel. +49 (0) 7425 228-0
 info@tr-electronic.de
www.tr-electronic.de