

Absolute-Encoder COV36 - SSI

Ref.: K-COV36-SSI-1

10.12.2014

01010200369999999

Advantages

- _ Customer-specific solutions
- _ Factory parametrization
- _ Further interfaces available
- _ High resolution system
- _ Option stainless steel housing
- _ Very small construction



General Data

Nominal voltage	
- Specific value	24 VDC
- Limit values, min/max	5/27 VDC
Nominal current, typically	
- Specific value	40 mA
- Condition	unloaded
Device design	
- Type	Single-/Multi-Turn
Total resolution	<= 34 Bit
Number of steps per revolution	<= 262144
Number of revolutions	<= 65536
SSI - Interface	
- SSI-Clock input	Optocoupler
- SSI-Data output	RS-485, 2-wire
- SSI-Clock frequency	80...1000 kHz
- SSI-Mono time, typically	20 µs
Parameter/Function, changeable	Resolution
	Output code
	Number of data bits
	Mono time
	Preset parameter
	Counting direction

Subject to change.

TR-Electronic GmbH
 Eglisshalde 6
 78647 Trossingen
 Tel. +49 (0) 7425 228-0
 info@tr-electronic.de
www.tr-electronic.de

Absolute-Encoder COV36 - SSI

Ref.: K-COV36-SSI-1

10.12.2014

010102003699999999

General Data continuation

Type of parametrization	Factory setting
External inputs	
- F/R	Count direction
- Preset	electronic adjustment
- Logic level	"0" < +2V, "1" = Supply
Maximum Speed, mechanically	<= 6000 1/min
Shaft load, axial/radial	<= 5 N, <= 10 N
Bearing life time	>= 3.9E+10 revolutions
Bearing life time - Parameter	
- Speed	3000 1/min
- Operating temperature	60 °C
- Shaft load, axial/radial	<= 5 N, <= 10 N
Point of origin, shaft load	Mounting flange + 5 mm
Shaft type	
- Shaft diameter [mm]	6
Angular acceleration	<= 10E+4 rad/s ²
Moment of inertia, typically	2.5E-6 kg m ²
Start-up torque, 20 °C	2 Ncm
Mass, typically	0.15 kg

Environmental conditions

Vibration	
- Specific value	<= 100 m/s ²
- Sine	50...2000 Hz
Shock	
- Specific value	<= 1000 m/s ²
- Half sine	11 ms
Immunity to disturbance	DIN EN 61000-6-2
Transient emissions	DIN EN 61000-6-3
Working temperature	
- Standard	-25...+70 °C
Storage temperature, dry	-20...+85 °C
Relative humidity	98 %
Protection class	
- Standard	IP54

Subject to change.

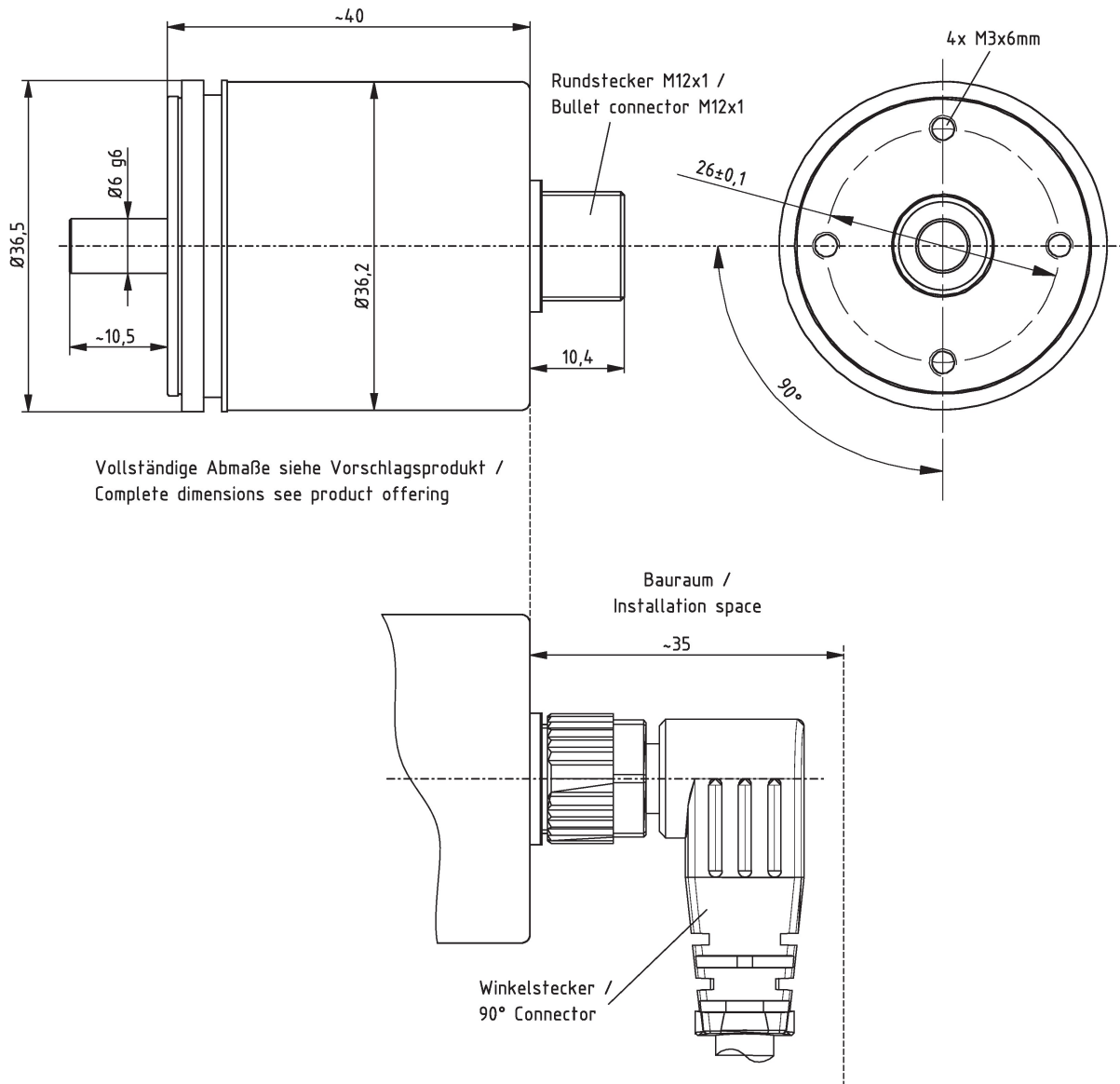
Absolute-Encoder COV36 - SSI

Ref.: K-COV36-SSI-1

10.12.2014

010102003699999999

Dimensional drawing



Vollständige Abmaße siehe Vorschlagsprodukt /
Complete dimensions see product offering

Subject to change.