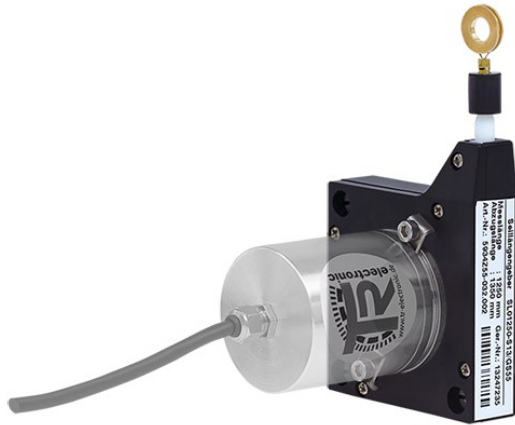


## Draw-Wire SL00, 1.25 m, 55 mm



Ref.: K-SL00-01250-055-1

18.09.2014

010104

### Advantages

- \_ Bearing via encoder shaft
- \_ Flat design
- \_ Light-weight design
- \_ Low demand applications
- \_ Low-cost version

### General Data

Order number(s)	40-723-001
Housing design	□ 55 mm
Housing material	Plastic, Noryl
Measuring length	1.25 m
Gear ratio	150 mm/rev.
	Note: Observe name plate!
Accuracy, gear ratio	± 0.10 %
Diameter, measuring wire	0.45 mm
Material, measuring wire	Stainless steel, 1.4401
Wire outlet angle	≤ ±3 °
Linearity, measuring range	± 0.01 %
Reproducibility, measur. range	0.005 %
Adjusting speed	≤ 6 m/s
Spring retraction force	1... 1.4 N
Load cycles, typically	≤ 1 000 000
Mass, typically	0.08 kg

Subject to change.

TR-Electronic GmbH  
 Eglisshalde 6  
 78647 Trossingen  
 Tel. +49 (0) 7425 228-0  
 info@tr-electronic.de  
[www.tr-electronic.de](http://www.tr-electronic.de)

---

## Draw-Wire SL00, 1.25 m, 55 mm

Ref.: K-SL00-01250-055-1

18.09.2014

010104

### Environmental conditions

Working temperature	
- Standard	-30...+70 °C
Protection class	
- Standard	IP50
- Note	according mounting instruction

Subject to change.

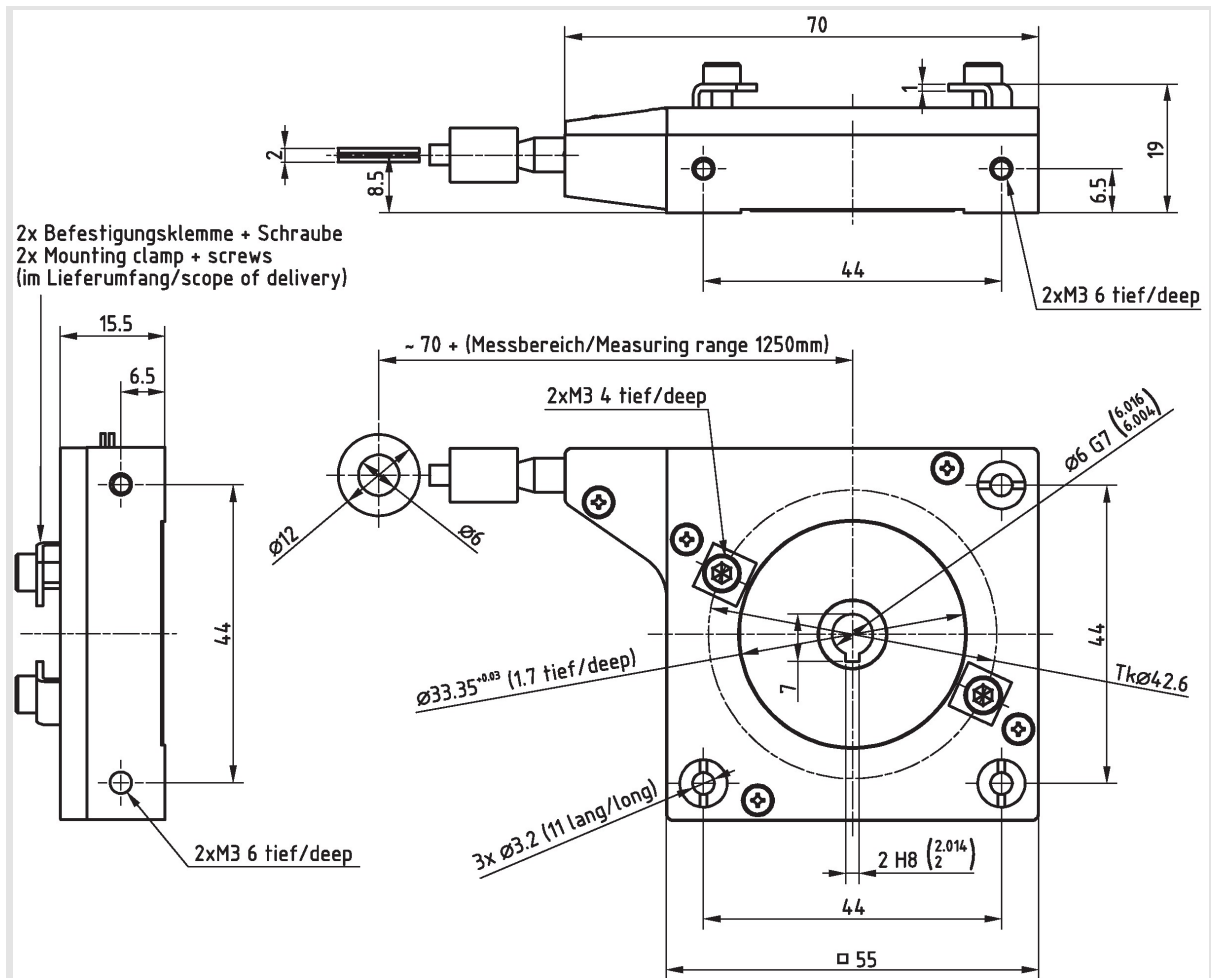
# Draw-Wire SL00, 1.25 m, 55 mm

Ref.: K-SL00-01250-055-1

18.09.2014

010104

## Dimensional drawing



Subject to change.