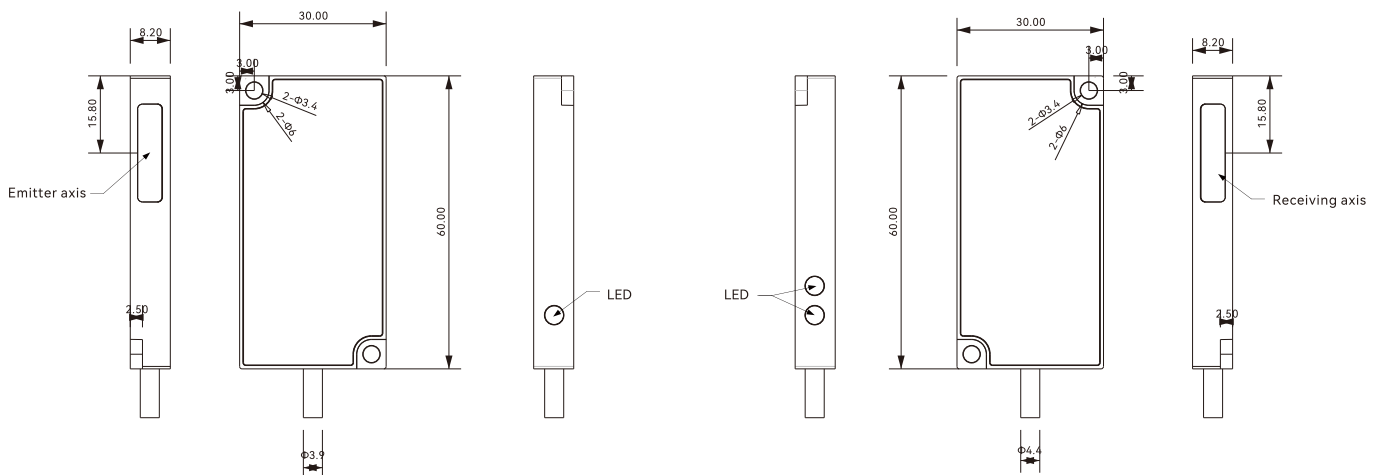


Detection method	Through-beam laser measuring (CMOS mode)	
Detection range	Edge detection mode ± 6 mm Diameter detection mode 12mm	
Setting distance	0 ~ 400mm	
Light source	Red semiconductor laser level 1	
Laser class	Class 1	
Minimum detectable object	0.5mm(When setting a distance of 500mm)	
Repeatability	1 μ m(When setting a distance of 20mm) 2.5 μ m(When setting a distance of 100mm) 5 μ m(When setting a distance of 500mm)	
Linear accuracy	$\pm 0.12\%$ F.S.(When setting a distance of 20mm) $\pm 0.28\%$ F.S.(When setting a distance of 100mm)	
Analog output	Voltage	Output range: 0V~5V (+5.2V during alarm), output impedance: 100 Ω
	Current	Output range: 4mA~20mA (alarm: 0mA), load: less than 300 Ω
Communication	485 communication hexadecimal	
Measurement mode	Auto Edge Mode, Edge Mode, ID/Gap Mode, Width/Diameter Mode	
Ambient temperature	Operation temperature	-10 ~ +45 $^{\circ}$ C(应无凝露与结冰)
	Storage temperature	-20 ~ +60 $^{\circ}$ C
Ambient humidity	Operation humidity	35 ~ 85%RH
	Storage humidity	35 ~ 85%RH
Voltage	DC12~24V $\pm 10\%$	
Current consumption	Emitting: 10mA or less (DC24V) Receiving: 70mA or less (DC24V)	
Insulation	Above 20M Ω under DC250V megohmmeter (between all terminals and shell)	
Pulse resistance	Durable 500m/s , 3 times each in X,Y,Z three directions.	
Anti-vibration	Durable 10 ~ 55Hz complex amplitude 1.5mm, 2 hours each in X,Y,Z three directions	
Ambient illumination	Incandescent lamp: the illuminance of the light-receiving surface is below 5,000lux	
Temperature drift	$\pm 0.03\%$ F.S./ $^{\circ}$ C	
Anti-jamming	Anti-light interference, anti-electromagnetic interference, side by side installation	
Indicator light	Emitter (laser emission indicator green)	Receiver (optical axis adjustment light green, judgment output light red)
Protection degree	IP50	
certification	CE, ROHS, REACH certification	
Shell	Aluminum alloy metal shell	
Outgoing way	Receiver:5-core composite cable 2m	Emitter: 2-core cable 2m
Model	ETD-0612	

Dimensions

Unit: mm



Circuit diagram

