

Incremental-Encoder IE 35

TR-VCE-TI-GB-0550
04/12 Revision 02
010101-00359999-9999



- + Incremental interface
- + Small compact design (35 mm)
- + Universal applications
- + Number of pulses per revolution 1 to 3.600

Characteristics

Supply Voltage	11 - 27 V DC
5 VDC	Upon request
Power Dissipation (No Load)	< 2.5 Watt
Output (11-27 V)	Push-Pull
- Maximum Current	max. 20 mA
- Incremental Signal	A, A neg., B, B neg.
- Marker Pulse	Z, Z neg., 1 pulse per revolution
	Maximum Output Frequency 160 kHz
Output (5 V)	Line Driver
- Maximum Current	max. 20 mA
- Incremental Signal	A, A neg., B; B neg.
- Marker Pulse	Z, Z neg., 1 pulse per revolution
	Maximum Output Frequency 300 kHz
Tolerance (at 100 kHz)	
- Phase Shift	$\pm 30^\circ$
- Pulse Width	$\pm 30^\circ$
Number of Pulses Per Revolution	1 to 3.600
Maximum Rotational Speed	max. 12.000 RPM
Maximum Load on Shaft	10 N axial, 20 N radial (at end of shaft)
Maximum Angular Acceleration	$\leq 10^5 \text{ rad/s}^2$
Momentum of Inertia	$0.2 \times 10^{-6} \text{ kg m}^2$
Startup Momentum 20°C (68° F)	0.01 Ncm
Connector	PG axial cable (pigtail), Different Cable Lengths on Request
Weight	0.2 kg (0.4 lb.)

Subject to change

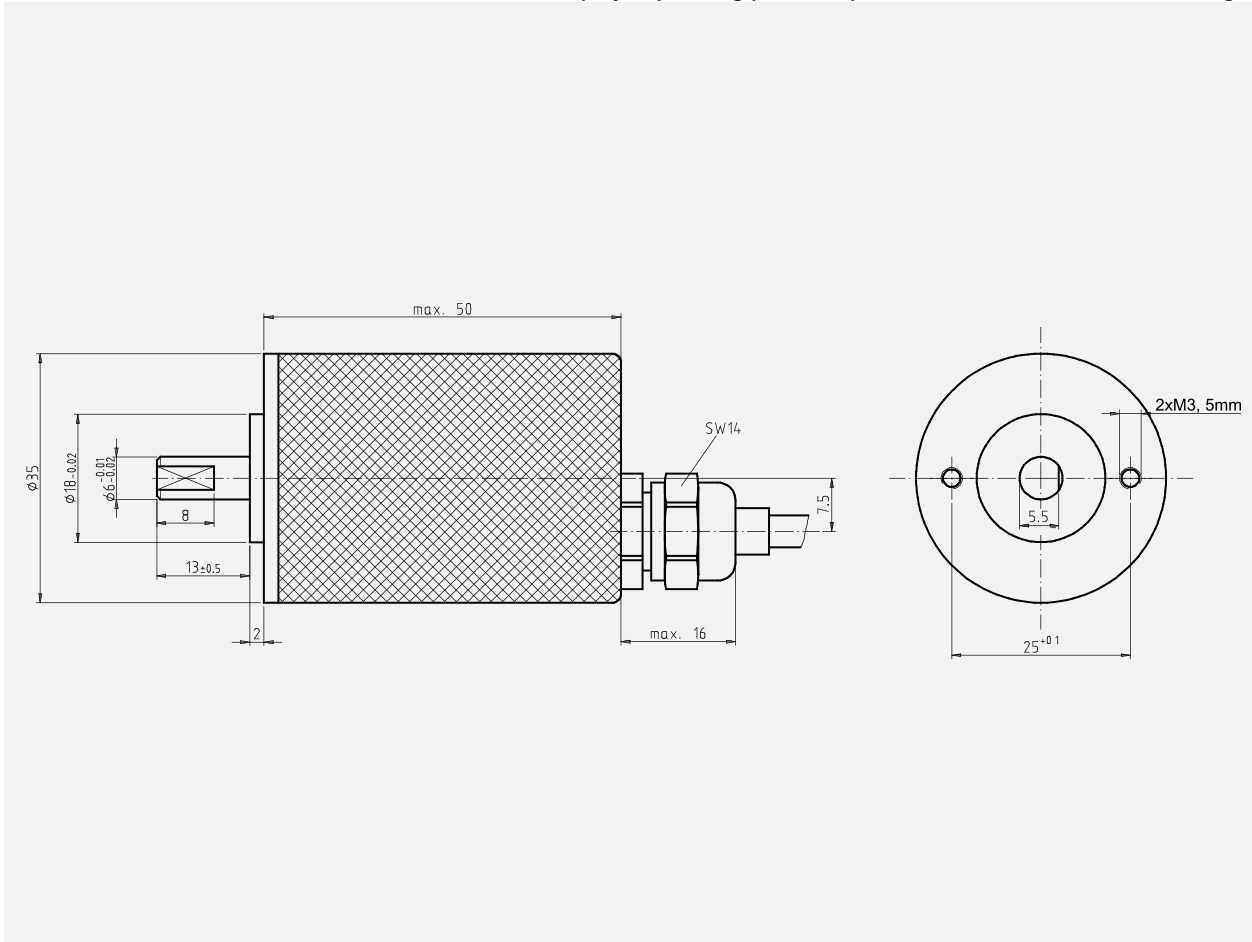
Environmental conditions

Vibration, DIN EN 60068-2-6: 1996	≤ 100 m/s ² , sine 50-2000 Hz
Shock, DIN EN 60068-2-27: 1995.....	≤ 1000 m/s ² , half-sine 11 ms
EMC	
- Immunity to disturbance, DIN EN 61000-6-2: 2006	
- Transient emissions, DIN EN 61000-6-3: 2007	
Operating Temperature.....	0° to +80°C (32° to 176°F)
Extended Temperature (Optional)	-30° to +80°C (-22° to 176°F)
Relative humidity, DIN EN 60068-3-4: 2002	98 %, non condensing
Protection class, DIN EN 60529: 1991 *).....	IP 65

*) valid with screwed on mating connector and / or screwed together cable gland

Dimension drawing

(For project planning please request customized dimensional drawing!)



Subject to change