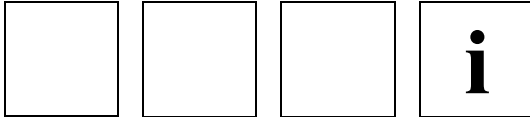


Rope length transmitter SL3005...SL3030

Eglishalde 6
D-78647 Trossingen
Tel. +49 - (0) 74 25 / 228 - 0
Fax +49 - (0) 74 25 / 228 - 33
<http://www.tr-electronic.de>
Germany



- Available with or without encoder
- Compact design
- Cable eye with ball joint (removable) compatible to previous model
- Backlash free encoder coupling
- Robust spring drive
- High life time approx. 1 mio. cycles
- Simple assembly encoder-cable retractor

Characteristics

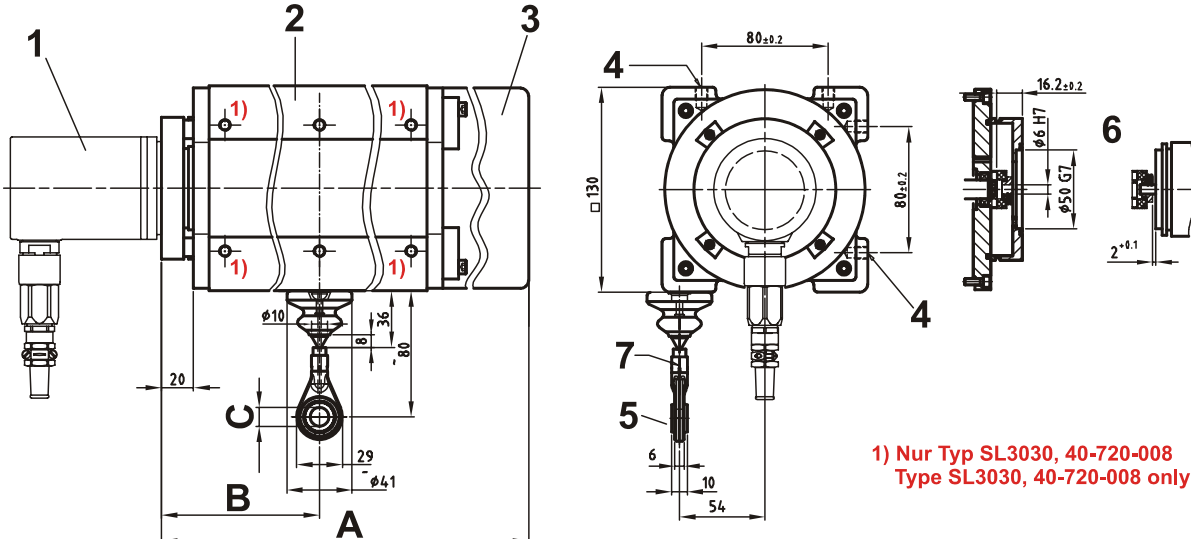
Case design □ 130 mm
Gear ratio 3.07 rev./m ± 0,15 mm/rev.
Measuring cylinder material Aluminium anodized 3.3206.71 ALMgSi0.5F22
String material Stainless steel 1.4401 X5 CrNiMo 18 10
String bending radius R..... ≥ 16 mm
Linearity deviation typ. ± 0,05
Reproducibility..... 0,1 mm
Life time..... typ. 1 Mio. cycles

Types	SL 3005	SL 3010	SL 3010	SL 3015	SL 3015	SL 3020	SL 3025	SL 3025	SL 3030
Article no.	40 720 003	40 720 016	40 720 020	40 720 005	40 720 018	40 720 015	40 720 007	40 720 012	40 720 008
Weight app. in kg	2,3	3,6	3,6	5,0	5,0	6,3	7,8	7,8	9,2
Measuring length in m	5	10	10	15	15	20	25	25	30
Leader length	0,1m	0,1m	0,1m	0,1m	0,1m	0,1m	0,1m	0,1m	0,1m
String diameter in mm	0,81	0,81	0,81	0,81	0,81	0,81	0,81	0,81	0,81
Adjusting speed	4 m/s	4 m/s	4 m/s	4 m/s	4 m/s	4 m/s	4 m/s	4 m/s	4 m/s
Spring tension start	7,5N	7,5N	7,5N	7,5N	7,5N	7,5N	7,5N	7,5N	7,5N
Spring tension end	15N	15N	15N	15N	15N	15N	15N	15N	15N
Bellows	yes	yes	yes	yes	yes	yes	yes	yes	yes
Position string see Dimension drawing	left	left	right	left	right	left	left	left	left

Environmental conditions

Vibration	≤ 100 m/s ² (10g) sine 50-2000 Hz acc. DIN IEC 68-2-6
Shock.....	≤ 250m/s ² (25g) 11ms acc. DIN IEC 68-2-27
Operating temperature	-20°C ... 70°C
Storage temperature.....	-30°C ... +85°C dry
Relative humidity	98 % non condensing
Packaging.....	compliant DIN 55439
Protection class	IP 65 compliant DIN 40 050

Dimension drawing



	40720003	40720016	40720020	40720005	40720018	40720015	40720007	40720012	40720008	
A	124,2	178,2	154,2	208,2	208,2	262,2	292,2	292,2	347,2	
B	55,6	70,6	70,6	85,6	85,6	100,6	115,6	116,6	130,6	
C	without ball joint ∅ 20,2mm, with ball joint ∅ 12H11									
1	Encoder and backlash free coupling				5	Removable ball-joint				
2	Measuring cylinder				6	Distance size of the coupling				
3	Spring drive				7	String				
4	M8, 8 deep									