

Absolute-Encoder CEH1102 - Analog



Ref.: K-CEH110_2-A-1

26.08.2020

010102999902010202

Advantages

- Current- or voltage output
- Flexible programming
- Fractions for gear factor
- Modular product line
- Rugged construction
- Simple setup and configuration
- Speed/Position analog output

General Data

Nominal voltage	
- Specific value	24 VDC
- Limit values, min/max	10/30 VDC
Nominal current, typically	
- Specific value	100 mA
- Condition	unloaded
Device design	
- Type	Single-/Multi-Turn
Total resolution	<= 33 Bit
Number of steps per revolution	<= 32768
Number of revolutions	<= 256000
Analog - Interface	
- Voltage/Current	programmable
- Resolution	16 Bit D/A converter
- Voltage output	0...+10 VDC
- Voltage output	-10...+10 VDC
- Load resistance (U)	>= 0.5 kOhm
- Current output	0...20 mA
- Current output	4...20 mA
- Load resistance (I)	<= 500 Ohm
- Analog output	Position
- Analog output	Speed

Subject to change.

TR-Electronic GmbH
 Eglisshalde 6
 78647 Trossingen
 Tel. +49 (0) 7425 228-0
 info@tr-electronic.de
www.tr-electronic.de

Absolute-Encoder CEH1102 - Analog

Ref.: K-CEH110_2-A-1

26.08.2020

010102999902010202

General Data continuation

Parameter/Function, changeable	Analog Voltage/Current
	Operating range
	Function inputs
	Function button
	Preset parameter
	Adjustment - Parameter
	Scaling parameter
	Interface parameter
	Counting direction
	Gear function
	Velocity parameter
Type of parametrization	programmable
Programming - Tool	TR-Soft: TRWinProg
Maximum Speed, mechanically	≤ 2000 1/min
Shaft load, axial/radial	Own mass
Bearing life time	$\geq 3.9E+10$ revolutions
Bearing life time - Parameter	
- Speed	2000 1/min
- Operating temperature	60 °C
Shaft type	
- Shaft diameter [mm]	28
- Shaft diameter [mm]	30
- Shaft diameter [mm]	35
- Shaft diameter [mm]	38
- Shaft diameter [mm]	40
- Shaft diameter [mm]	50
Angular acceleration	$\leq 10E+4$ rad/s ²
Moment of inertia, typically	525E-6 kg m ²
Start-up torque, 20 °C	8 Ncm
Concentricity tolerance	± 0.05 mm
Mass, typically	
- Without shaft insert	1.200 kg
- With shaft insert	1.750 kg

Environmental conditions

Vibration	DIN EN 60068-2-6
-----------	------------------

Subject to change.

Absolute-Encoder CEH1102 - Analog

Ref.: K-CEH110_2-A-1

26.08.2020

010102999902010202

Environmental conditions continuation

- Specific value	$\leq 100 \text{ m/s}^2$
- Sine	50...2000 Hz
Shock	DIN EN 60068-2-27
- Specific value	$\leq 1000 \text{ m/s}^2$
- Half sine	11 ms
Immunity to disturbance	DIN EN 61000-6-2
Transient emissions	DIN EN 61000-6-3
Working temperature	
- Standard	-20...+70 °C
Storage temperature, dry	-30...+80 °C
Relative humidity	98 %, non condensing
Protection class	
- Standard	IP54

Subject to change.

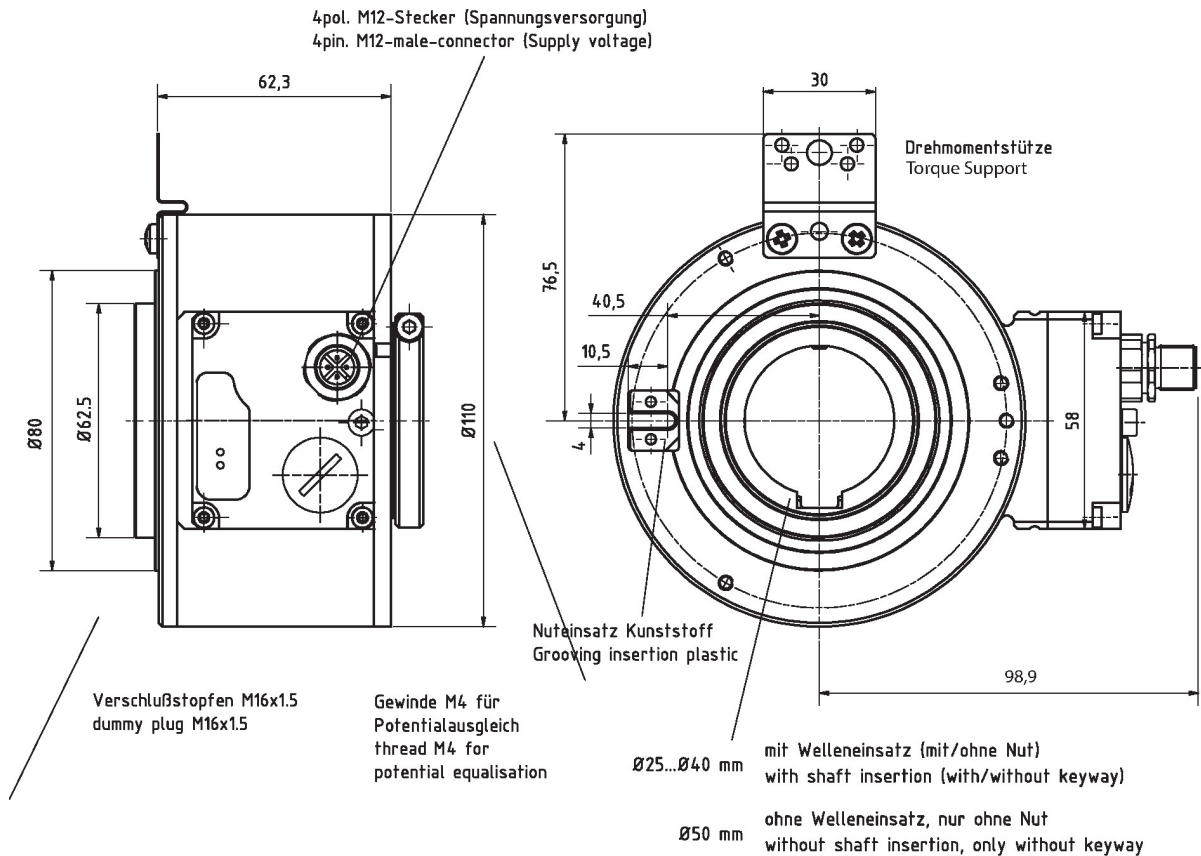
Absolute-Encoder CEH1102 - Analog

Ref.: K-CEH110_2-A-1

26.08.2020

010102999902010202

Dimensional drawing



Fehlende Abmaße bzw. abweichendes Design, siehe Art.-Nr. bezogene Zeichnung /
Missing dimensions or different design, see drawing related to the order number

Subject to change.

Absolute-Encoder CEH1102 - Analog

Ref.: K-CEH110_2-A-1

26.08.2020

010102999902010202

Suggested products

CEH1102M*8192/4096 ANALOG DMS 50H7 CEH1102M-00009
KRF

Subject to change.