

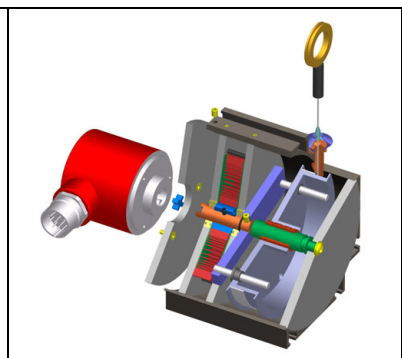
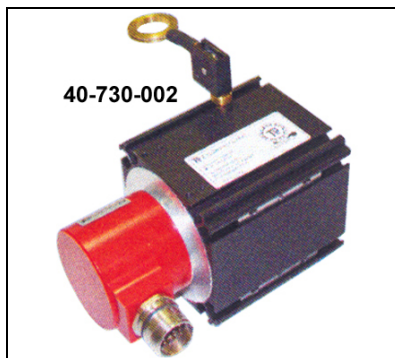
Rope length transmitter P85 / P115



- Order-No.: 40-730-001 up to -005
- Short measuring wire outlet with bellows
- Lifting eye, at the end of the wire
- Backlash-free coupling Encoder / Wire unit
- Direct gear ratio without gear

Characteristics

	Type P85	Type P115	Type P115	Type P115
Measuring length	2.5 m	5.0m	7.5m	15.0m
Wire diameter in mm	1.2 mm	1.00 mm	1.00 mm	1.00 mm
Ratio	199.8 mm/revolution	315.07 mm/revolution	315.07 mm/revolution	315.07 mm/revolution
Ratio, accuracy	± 0.04 %	± 0.03 %	± 0.03 %	± 0.03 %
Linearity	± 0.035 %	± 0.02 %	± 0.02 %	± 0.015 %
Spring tension start	6 N	4 N	8.5N	5N
Spring tension end	16 N	16 N	21N	25N
Max. adjusting speed	4 m/s	4 m/s	4 m/s	4 m/s
Max. wire acceleration	5 g	5 g	6g	3g
Max. move out angle	± 3°	± 3°	± 3°	± 3°
Material of the housing	Aluminum, black anodized	Aluminum, black anodized	Aluminum, black anodized	Aluminum, black anodized
Material of the wire	Stainless steel 1.4401 with PA coat	Stainless steel 1.4401 with PA coat	Stainless steel 1.4401 with PA coat	Stainless steel 1.4401 with PA coat
Min. breaking load of the wire	420 N	500 N	500 N	500 N
Weight	approx. 1 kg (without Encoder)	approx. 1.4 kg (without Encoder)	approx. 1.7 kg (without Encoder)	approx. 2.7 kg (without Encoder)
TR Order-No.:	40-730-001	40-730-003	40-730-004	40-730-005
With deflection pulley	40-730-002			



NOTE: Order-No. without Encoder!

Environmental conditions

Operating temperature	-20°C...+80°C
Protection class	IP 65 (DIN 40 050), if wire outlet shows downward

Dimension drawing

