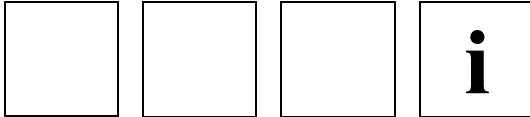


Rope length transmitter SL3010, SL3025 ATEX



- Available with or without encoder
- With explosion protection ATEX
- Compact design
- Cable eye with ball joint (removable) compatible to previous model
- Backlash free encoder coupling
- Robust spring drive
- High life time approx. 1 mio. cycles
- Simple assembly encoder-cable retractor

Characteristics

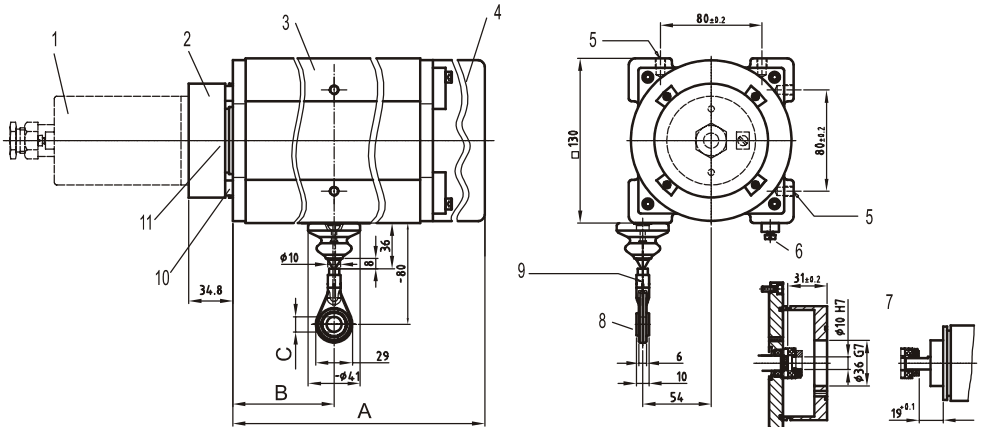
Case design	□ 130 mm
Gear ratio	3.07 rev./m ± 0.15 mm/rev.
Measuring cylinder material	Aluminium anodized 3.3206.71 ALMgSi0.5F22
Spring drive material	Plastic
String material	Stainless steel 1.4401 X5 CrNiMo 18 10
String bending radius R.....	≥ 16 mm
Linearity deviation	typ. ± 0.05
Reproducibility.....	0.1 mm
Life time.....	typ. 1 Mio. cycles
Explosion protection class	II 2 G/D EEx de IIC T6; PTB 03 ATEX 1051 group II category 2 zone 1 and category 3 zone 2

Types	SL 3010	SL 3025		
Article no.	40722001	40722002		
Weight app. in kg	3.6	7.8		
Measuring length in m	10	25		
Leader length	0.1m	0.1m		
String diameter in mm	0.81	0.81		
Adjusting speed	4 m/s	4 m/s		
Spring tension start	7.5N	7.5N		
Spring tension end	15N	15N		
Bellows	yes	yes		
Position string, see Dimension drawing	left	left		
Explosion protection	ATEX	ATEX		

Environmental conditions

Vibration	≤ 100 m/s ² (10g) sine 50-2000 Hz acc. DIN IEC 68-2-6
Shock.....	≤ 250m/s ² (25g) 11ms acc. DIN IEC 68-2-27
Operating temperature	-20°C ... 70°C
Storage temperature.....	-30°C ... +85°C dry
Relative humidity	98 % non condensing
Packaging.....	compliant DIN 55439
Protection class	IP 65 compliant DIN 40 050

Dimension drawing



	40722001	40722002	
A	134.2	272.2	
B	50.6	95.6	
C	without ball joint ∅ 20.2 with ball joint ∅ 12H11		
1	Explosion protection housing incl. Encoder		7 Distance size of the coupling
2	Mounting flange		8 Removable ball-joint
3	Measuring cylinder		9 String
4	Spring drive		10 Clamping brackets
5	4x M6x8 deep		11 Backlash free coupling
6	Grounded wire terminal		