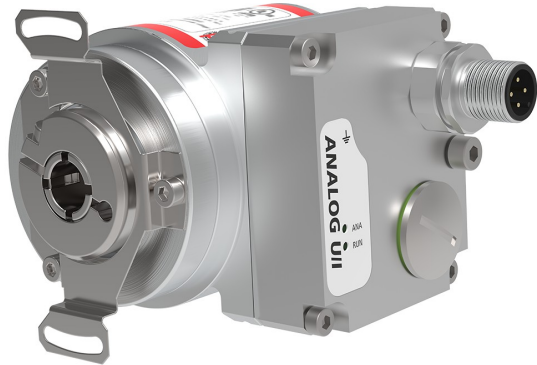


Absolute-Encoder CEH582 - Analog



Ref.: K-CEH58_2-A-1

26.08.2020

010102058202010202

Advantages

- Current- or voltage output
- Flexible programming
- Fractions for gear factor
- Modular product line
- Salt-resistant
- Simple setup and configuration
- Speed/Position analog output

General Data

Nominal voltage	
- Specific value	24 VDC
- Limit values, min/max	10/30 VDC
Nominal current, typically	
- Specific value	100 mA
- Condition	unloaded
Supply	
- In case of UL / CSA approval	according to NEC Class 2
Device design	
- Type	Single-/Multi-Turn
Total resolution	<= 33 Bit
Number of steps per revolution	<= 32768
Number of revolutions	<= 256000
Analog - Interface	
- Voltage/Current	programmable
- Resolution	16 Bit D/A converter
- Voltage output	0...+10 VDC
- Voltage output	-10...+10 VDC
- Load resistance (U)	>= 0.5 kOhm
- Current output	0...20 mA
- Current output	4...20 mA
- Load resistance (I)	<= 500 Ohm

Subject to change.

TR-Electronic GmbH
 Eglshalde 6
 78647 Trossingen
 Tel. +49 (0) 7425 228-0
 info@tr-electronic.de
www.tr-electronic.de

Absolute-Encoder CEH582 - Analog

Ref.: K-CEH58_2-A-1

26.08.2020

010102058202010202

General Data continuation

- Analog output	Position
- Analog output	Speed
Parameter/Function, changeable	Analog Voltage/Current
	Operating range
	Function inputs
	Function button
	Preset parameter
	Adjustment - Parameter
	Scaling parameter
	Interface parameter
	Counting direction
	Gear function
	Velocity parameter
Type of parametrization	programmable
Programming - Tool	TR-Soft: TRWinProg
Maximum Speed, mechanically	≤ 6000 1/min
Shaft load, axial/radial	Own mass
Bearing life time	$\geq 3.9E+10$ revolutions
Bearing life time - Parameter	
- Speed	6000 1/min
- Operating temperature	60 °C
Shaft type	
- Shaft diameter [mm]	8
- Shaft diameter [mm]	10
- Shaft diameter [mm]	11
- Shaft diameter [mm]	12
- Shaft diameter [mm]	14
- Shaft diameter [mm]	15
- Shaft diameter ["]	1/4
- Shaft diameter ["]	3/8
Angular acceleration	$\leq 10E+4$ rad/s ²
Moment of inertia, typically	2.5E-6 kg m ²
Start-up torque, 20 °C	3.7 Ncm
Concentricity tolerance	± 0.3 mm (static, radial)
Mass, typically	0.3 kg

Subject to change.

Absolute-Encoder CEH582 - Analog

Ref.: K-CEH58_2-A-1

26.08.2020

010102058202010202

Environmental conditions

Vibration	DIN EN 60068-2-6
- Specific value	$\leq 100 \text{ m/s}^2$
- Sine	50...2000 Hz
Shock	DIN EN 60068-2-27
- Specific value	$\leq 1000 \text{ m/s}^2$
- Half sine	11 ms
Immunity to disturbance	DIN EN 61000-6-2
Transient emissions	DIN EN 61000-6-3
Working temperature	
- Standard	-20...+75 °C
- Optional	-40...+75 °C;
Storage temperature, dry	-30...+85 °C
Relative humidity	98 %, non condensing
Protection class	
- Standard	IP54
- Optional	extended to IP65
Resistance	
- against salt (seawater)	DIN EN IEC 60068-2-52
- Test method	Test method 1
- excluded are	Attachment parts

Subject to change.

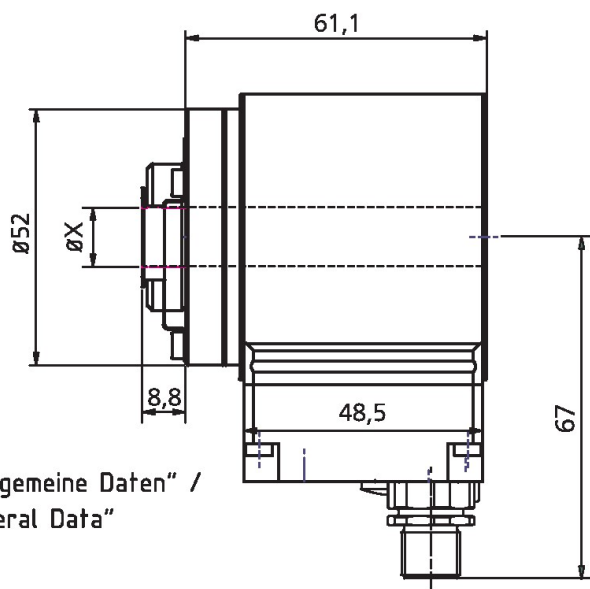
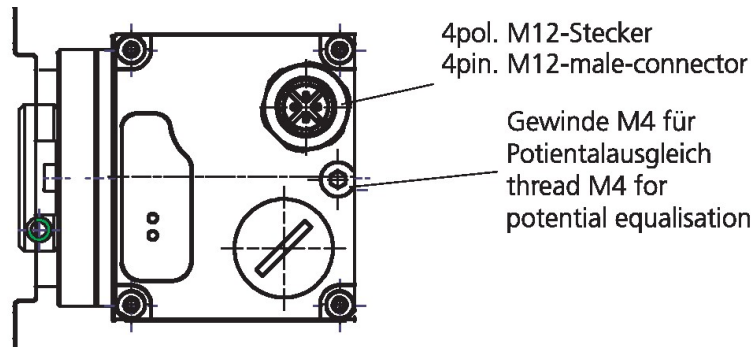
Absolute-Encoder CEH582 - Analog

Ref.: K-CEH58_2-A-1

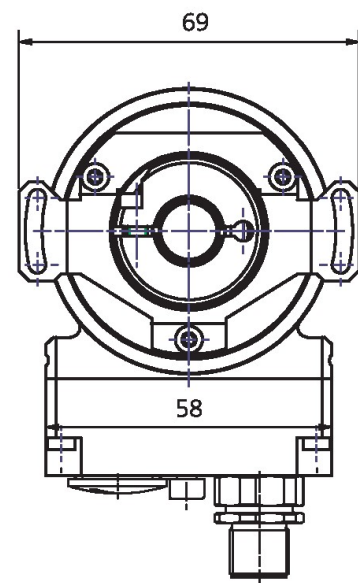
26.08.2020

010102058202010202

Dimensional drawing



ØX: siehe "Allgemeine Daten" /
see "General Data"



Subject to change.

Absolute-Encoder CEH582 - Analog

Ref.: K-CEH58_2-A-1

26.08.2020

010102058202010202

Suggested products

CEH582M*8192/4096 ANALOG DMS 12H7 CEH582M-00088
KRF

Subject to change.