

# Absolute-Encoder CEV58 - DN

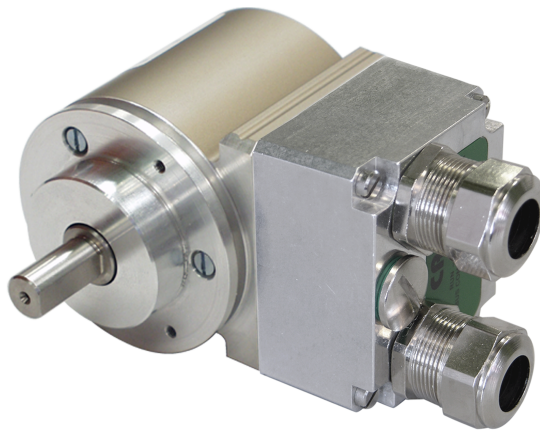
Ref.: K-CEV58-DN-1

18.11.2013

010102005802020201

## Advantages

- \_ Customer-specific solutions
- \_ Flexible programming
- \_ Further interfaces available
- \_ Modular mechanical design
- \_ Modular product line
- \_ Short lead times



## General Data

Supply	
- Supply voltage	11...27 VDC
Current consumption no load	<= 350 mA
Device design	
- Type	Single-/Multi-Turn
Total resolution	<= 31 Bit
Number of steps per revolution	<= 8192
Number of revolutions	<= 256000
Output capacity	<= 25 Bit
CAN DeviceNet - Interface	
- CAN DeviceNet	EN 50325-2
- Bus connection	ISO 11898-1, ISO 11898-2
- CAN Specification 2.0 A	11-Bit Identifier
Transmission rate	
- Specific value	125, 250, 500 kbit/s
- Adjustability	by means of DIP-switches
Parameter/Function, changeable	Resolution
	Output code
	Operating range
	Error outputs
	Preset parameter
	Adjustment - Parameter

Subject to change.

TR-Electronic GmbH  
 Eglisshalde 6  
 78647 Trossingen  
 Tel. +49 (0) 7425 228-0  
 info@tr-electronic.de  
[www.tr-electronic.de](http://www.tr-electronic.de)

## Absolute-Encoder CEV58 - DN

Ref.: K-CEV58-DN-1

18.11.2013

010102005802020201

### General Data continuation

	Safety range
	Counting direction
Type of parametrization	programmable
Prgramming - Tool	Fieldbus-Device
Maximum Speed, mechanically	$\leq 12000$ 1/min
Shaft load, axial/radial	$\leq 10$ N, $\leq 20$ N
Bearing life time	$\geq 3.9E+10$ revolutions
Bearing life time - Parameter - Speed	6000 1/min
- Operating temperature	60 °C
- Shaft load, axial/radial	$\leq 5$ N, $\leq 10$ N
Point of origin, shaft load	at the shaft end
Angular acceleration	$\leq 10E+4$ rad/s <sup>2</sup>
Moment of inertia, typically	2.5E-6 kg m <sup>2</sup>
Start-up torque, 20 °C	2 Ncm
Mass, typically	0.3...0.5 kg

### Environmental conditions

Vibration	
- Specific value	$\leq 100$ m/s <sup>2</sup>
- Sine	50...2000 Hz
Shock	
- Specific value	$\leq 1000$ m/s <sup>2</sup>
- Half sine	11 ms
Immunity to disturbance	DIN EN 61000-6-2
Transient emissions	DIN EN 61000-6-3
Working temperature	
- Standard	0...+60 °C
- Optional	-20...+70 °C;
Storage temperature, dry	-30...+80 °C
Relative humidity	98 %, non condensing
Protection class	
- Standard	IP65

Subject to change.

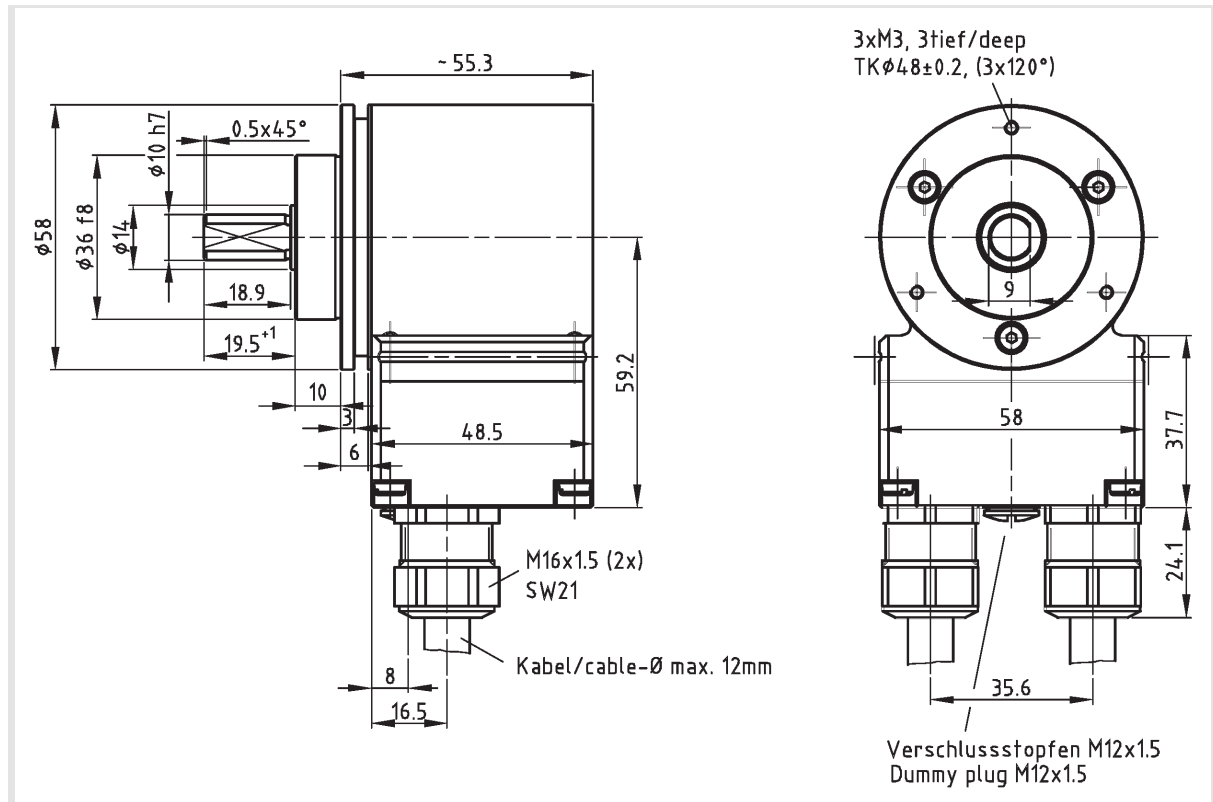
# Absolute-Encoder CEV58 - DN

Ref.: K-CEV58-DN-1

18.11.2013

010102005802020201

## Dimensional drawing



## Suggested products

CEV58M\*8192/4096 DN 36ZB10FL  
Feldbushaube

CEV58M-00206

CEV58S\*4096/1 CAN/DEVICE 36ZB6GL  
Feldbushaube

CEV58S-00121

Subject to change.