

Absolute-Encoder CEH110 - PB

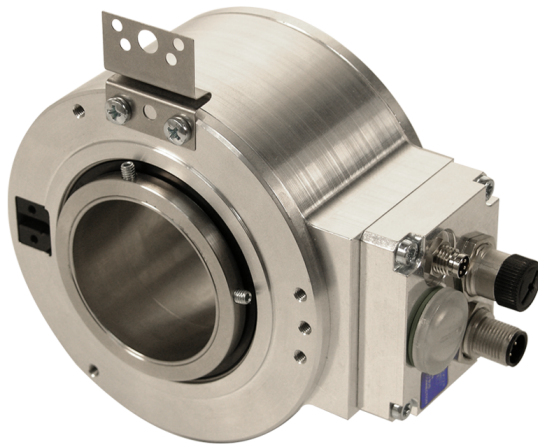
Ref.: K-CEH110-PB-1

18.11.2013

0101020160

Advantages

- _ Customer-specific solutions
- _ Flexible programming



General Data

Supply	
- Supply voltage	11...27 VDC
Current consumption no load	<= 180 mA
Device design	
- Type	Single-/Multi-Turn
Total resolution	<= 33 Bit
Number of steps per revolution	<= 32768
Number of revolutions	<= 256000
Output capacity	<= 25 Bit
PROFIBUS - Interface	
- PROFIBUS-DP V0	IEC 61158, IEC 61784
- PNO Encoder-Profile	Class 1 and 2
Transmission rate	
- Specific value	9.6...12000 kbit/s
Parameter/Function, changeable	Resolution
	Output code
	Adjustment - Parameter
	Counting direction
	Gear function
	Velocity parameter
Type of parametrization	programmable
Prgramming - Tool	Fieldbus-Device

Subject to change.

TR-Electronic GmbH
 Eglshalde 6
 78647 Trossingen
 Tel. +49 (0) 7425 228-0
 info@tr-electronic.de
www.tr-electronic.de

Absolute-Encoder CEH110 - PB

Ref.: K-CEH110-PB-1

18.11.2013

0101020160

General Data continuation

Maximum Speed, mechanically	<= 2000 1/min
Shaft load, axial/radial	Own mass
Bearing life time	>= 3.9E+10 revolutions
Bearing life time - Parameter - Speed	2000 1/min
- Operating temperature	60 °C
Angular acceleration	<= 10E+4 rad/s ²
Moment of inertia, typically	525E-6 kg m ²
Start-up torque, 20 °C	8 Ncm
Mass, typically - Without shaft insert	1.200 kg
- With shaft insert	1.750 kg

Environmental conditions

Vibration - Specific value	<= 100 m/s ²
- Sine	50...2000 Hz
Shock - Specific value	<= 1000 m/s ²
- Half sine	11 ms
Immunity to disturbance	DIN EN 61000-6-2
Transient emissions	DIN EN 61000-6-3
Working temperature - Standard	0...+60 °C
- Optional	-20...+70 °C;
Storage temperature, dry	-30...+80 °C
Relative humidity	98 %, non condensing
Protection class - Standard	IP54

Subject to change.

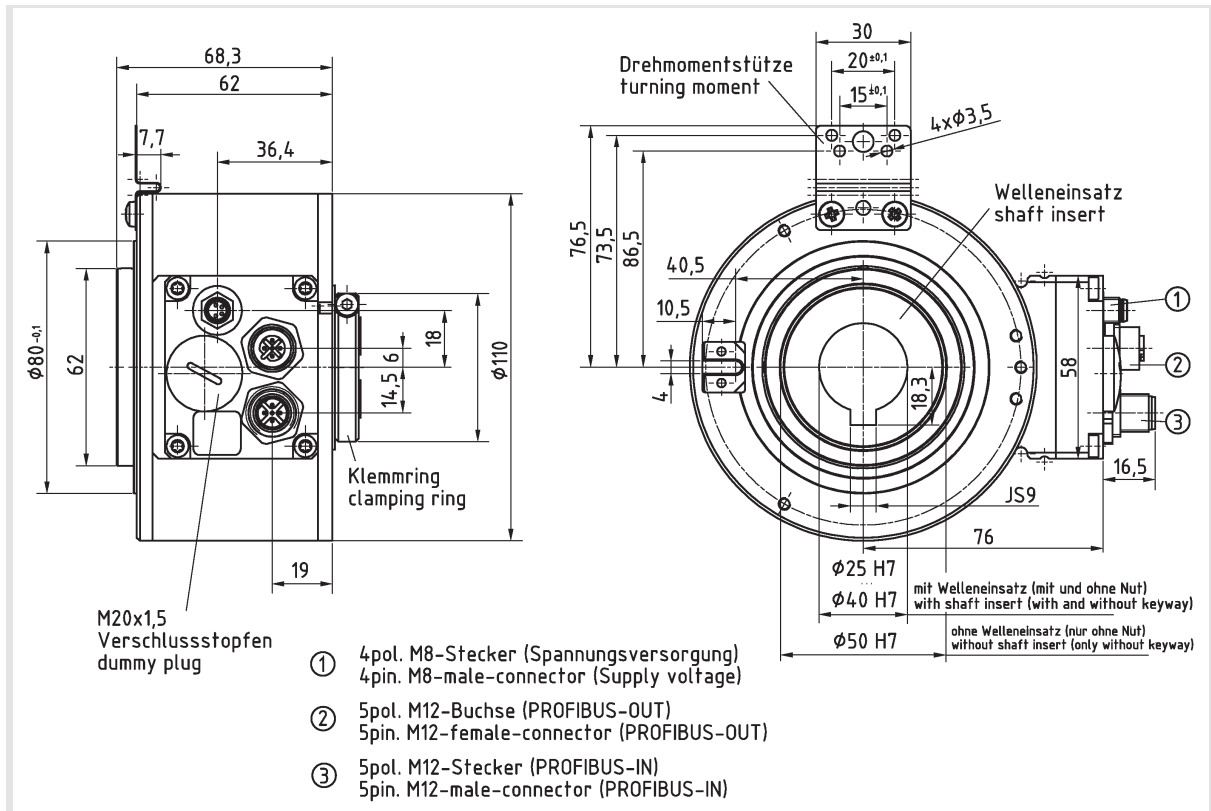
Absolute-Encoder CEH110 - PB

Ref.: K-CEH110-PB-1

18.11.2013

0101020160

Dimensional drawing



Subject to change.