



DVT 500 Series L4 Enclosure Part # 500-ENC4G Explosive Environment, NEMA 4

Product Features

- Compliance with NEC Class I, Groups B, C & D, Class II – E, F & G
- UL Standard 1203 certification
- Investigated to CSA Standard C22.2, No. 30 by UL
- Pending ATEX certification
- Designed specifically for the DVT 500 series Sensor
- Cast Aluminum construction
- 1" NPT hole for cable conduit
- Camera to Viewport Distance can be reduced to handle Wide Angle lenses or to use the integrated ringlight



The L4 explosion proof enclosure is designed for your DVT 500 series SmartSensor. Compliance with NEC Class I, Groups B, C and D & Class II, Groups E, F and G are covered under UL Standard 1203 Certification. These Classifications & Groups are covered in Article 500 of the National Electrical Code.

The enclosure is also NEMA 4 rated, allowing use in a washdown environment.

The enclosure will accommodate a maximum lens diameter of 3.4" and a total lens/camera height of approximately 4.5".

The internal camera mount allows the DVT 500 to be spaced up to 1.5" closer to the viewport to accommodate shorter, wider angle lenses, or to use the integrated ringlight.

The L4 enclosure includes a 1" NPT tapped hole for conduit attachment. Additional conduit entries can be added if factory instructions are followed.

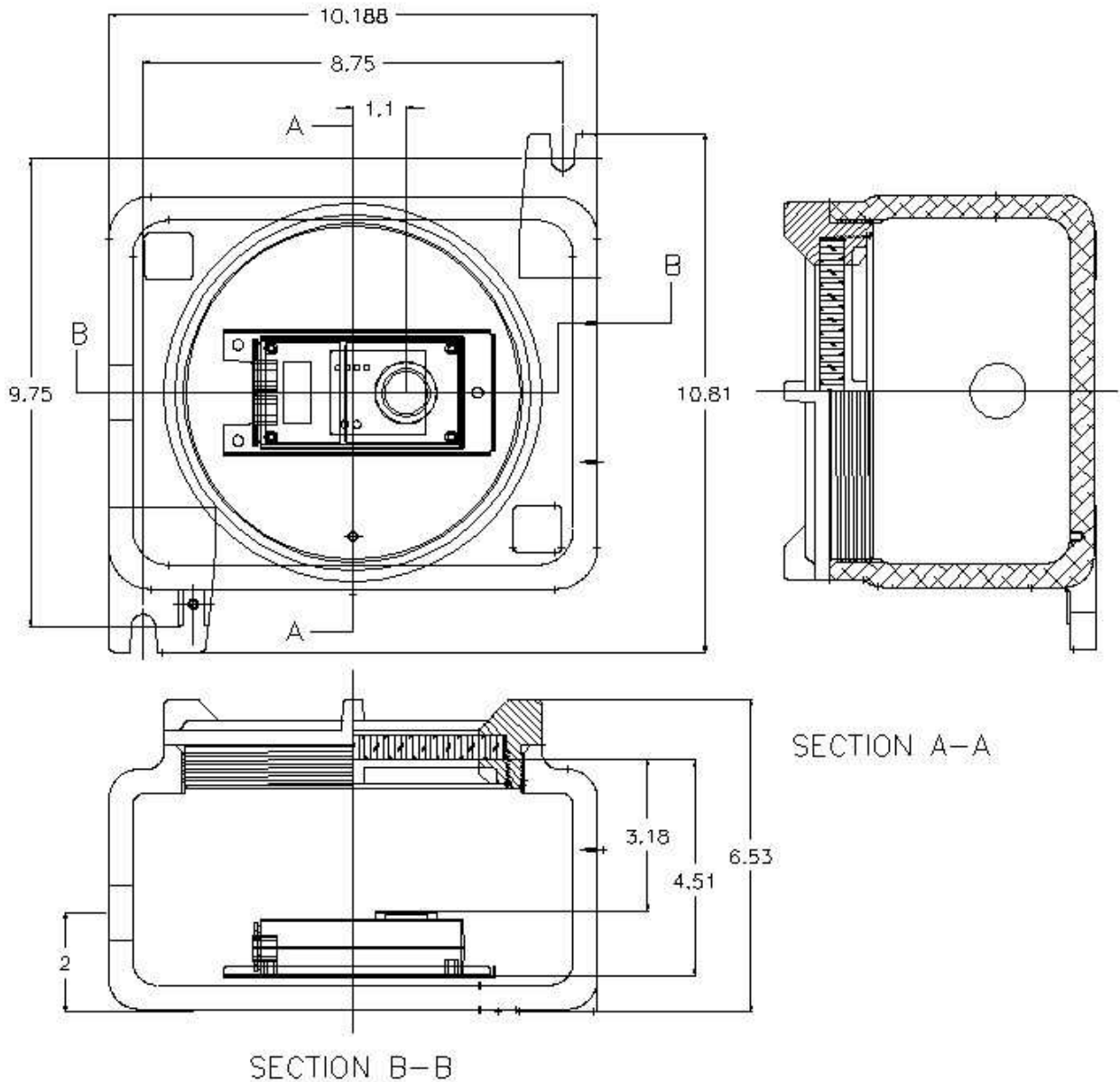
The overall weight of the enclosure is approximately 16 lbs.



DVT 500 Series L4 Enclosure

Explosive Environments, Washdown applications

Dimensions for Part Number 500-ENC4G



Enclosure is constructed of copper free aluminum for maximum salt water corrosion protection. Fasteners (M4x8 BHSCS) to mount the DVT Legend 500 series SmartImage Sensor are included. Camera can be raised inside the enclosure by 38mm to better accommodate wide angle lenses. Enclosure meets NEMA 4 standards. Enclosure is tapped for 1" NPT conduit.

Weight: 16 Lb
Part Number: 500-ENC4G



The SmartImage Sensor Specialists
 1670 Oakbrook Drive, Suite 330
 Norcross, GA 30093-1849

Phone: (770) 449-4960 • Fax: (770) 449-3073
<http://www.dvtsensors.com>

