

H0612FI

6mm F1.2

for 1/2" format cameras

C-Mount

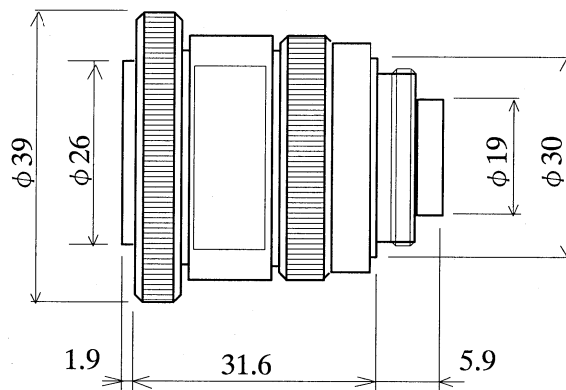
Model No.	H0612FI	Effective	Front	φ22.5 mm
Focal Length	6 mm	Lens Aperture	Rear	φ15.0 mm
Max. Aperture Ratio	1 : 1.2	Back Focal Length		11.65 mm
Max. Image Format	6.4 X 4.8 mm (φ8 mm)	Flange Back Length		17.526 mm
Operation	Iris	F1.2 ~ 16C	Mount	C-Mount
	Focus	0.1m ~ Inf.	Filter Size	-
Object Dimension at M.O.D.	10.9 x 8.0 cm	Dimensions		φ39 x 33.5 mm
		Weight		55 g
Angle of View	D	69.0°		
	H	57.2°		
	V	43.7°		

1/2

C

M.O.D. : Minimum Object Distance

Dimensions



F