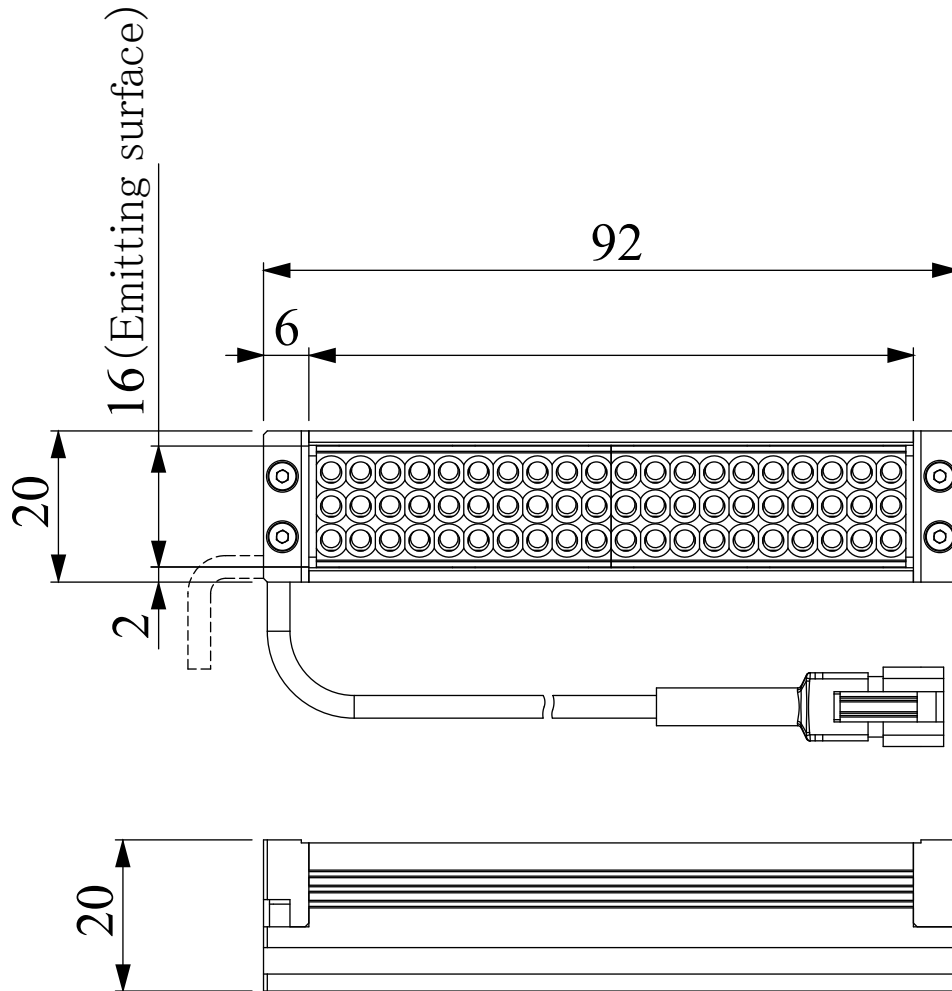


LDL2-80X16BL

Model name	LDL2-80X16BL
LED color	Blue
Input voltage	DC24V
Power consumption	3.8W
Weight	75g
Connector	SMR-03V-B
Polarity and signal	1 : (+) , 2 : NC , 3 : (-)

Third Angle Projection Units: mm



2x2-M3 depth 5
(Provided on both sides)

