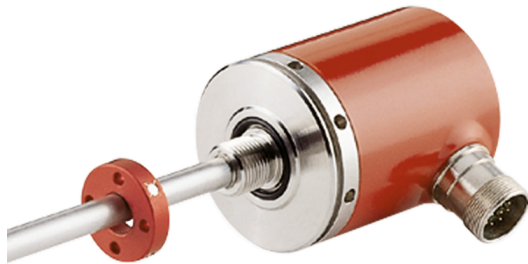


Linear-Transducer LA66K - ASI



Ref.: K-LA66-ASI-1

18.11.2013

0102010060

Advantages

- _ Measures linear movements
- _ Perfect fit for cylinders
- _ Pressure proof tube housing
- _ Wear-free detection

General Data

Supply	
- Supply voltage	24 VDC, -20...+10 %
Current consumption no load	<= 250 mA
Measuring principle	magnetostrictive
Measuring length, standard	150...3000 mm, in steps
Resolution	0.01 mm
Output capacity	<= 20 Bit
Linearity deviation	< 0.05 %
Reproducibility	0.01 mm
Hysteresis	0.1 mm
Temperature coefficient	< 8 $\mu\text{m}/^\circ\text{C}$ <= 500 mm < 15 ppm/ $^\circ\text{C}$ > 500 mm
Straight line velocity	no restrictions
Mounting position	no restrictions
Material - Measuring body	Cr/Ni - alloy
Rod end mounting	Option
Magnet	T3-U64, Option T4-M33, Standard
ASI - Interface	
- Data transmission	RS-422, 2-wire
- Protocol	on request

Subject to change.

TR-Electronic GmbH
 Eglisshalde 6
 78647 Trossingen
 Tel. +49 (0) 7425 228-0
 info@tr-electronic.de
www.tr-electronic.de

Linear-Transducer LA66K - ASI

Ref.: K-LA66-ASI-1

18.11.2013

0102010060

General Data continuation

- Sign format	1 ST, 7 DA, 1 P even, 2 STOP
- Data format	ASCII
- Sign	7: 6 POS + CR (0x0D)
Transmission rate	
- Specific value	4.8 kbit/s
- Specific value	9.6 kbit/s
- Specific value	19.2 kbit/s
- Specific value	38.4 kbit/s
Cycle time, internal	see dimensional drawing
External inputs	
- F/R	Count direction
- Preset	electronic adjustment
- Logic level	"0" < +2V, "1" = Supply

Environmental conditions

Vibration	
- Specific value	$\leq 100 \text{ m/s}^2$
- Sine	50...2000 Hz
Shock	
- Specific value	$\leq 1000 \text{ m/s}^2$
- Half sine	11 ms
Immunity to disturbance	DIN EN 61000-6-2
Transient emissions	DIN EN 61000-6-3
Working temperature	
- Standard	0...+70 °C
- Optional	-20...+70 °C;
Storage temperature, dry	-30...+80 °C
Relative humidity	98 %, non condensing
Protection class	
- Standard	IP65
Stray magnetic field	< 3 mT
Measuring reference	Measuring plane
Pressure resistance	
- Optional	600 bar, static

Subject to change.

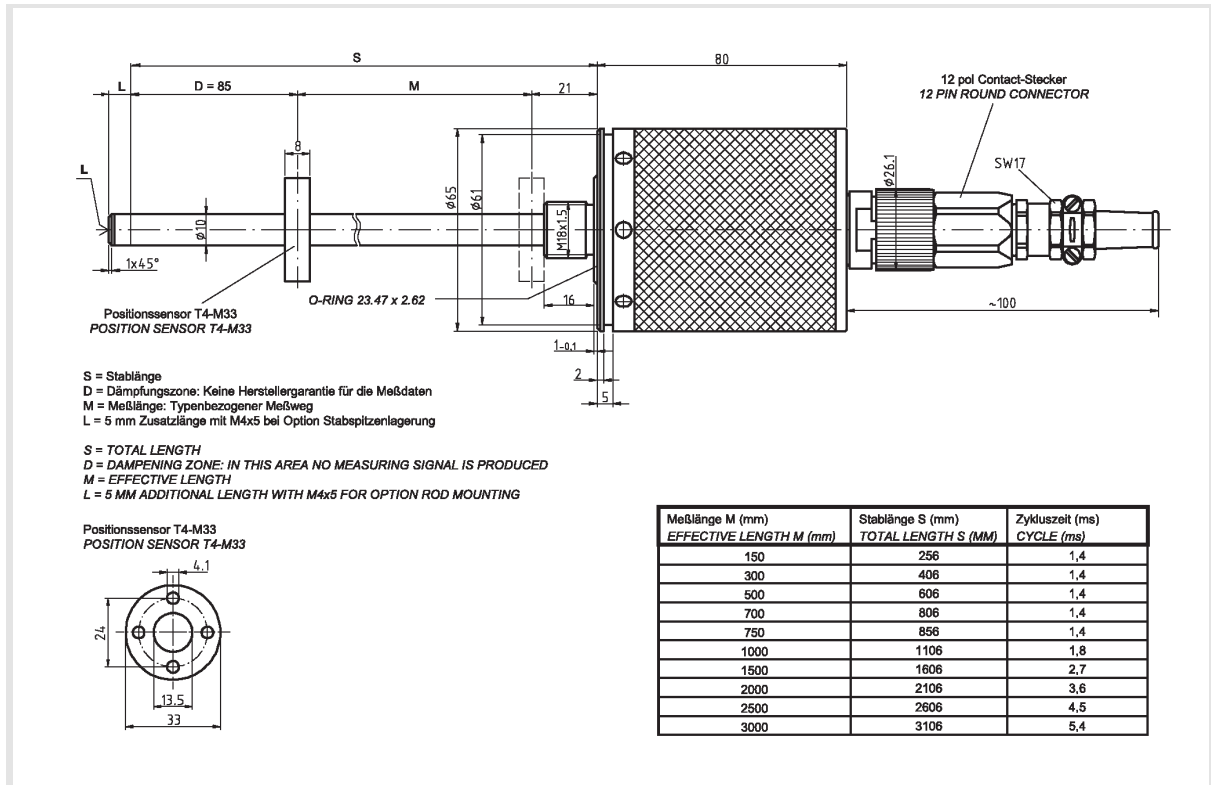
Linear-Transducer LA66K - ASI

Ref.: K-LA66-ASI-1

18.11.2013

0102010060

Dimensional drawing



Subject to change.