

Absolute-Encoder CES58 - CO

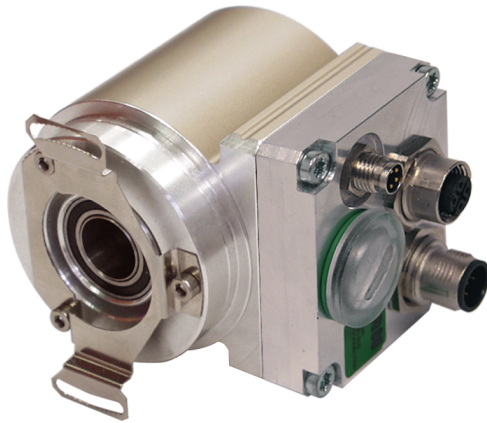
Ref.: K-CES58-CO-1

18.11.2013

010102005802020203

Advantages

- _ Customer-specific solutions
- _ Flexible programming
- _ Further interfaces available
- _ Modular mechanical design
- _ Modular product line
- _ Short lead times



General Data

Supply	
- Supply voltage	11...27 VDC
Current consumption no load	<= 350 mA
Device design	
- Type	Single-/Multi-Turn
Total resolution	<= 33 Bit
Number of steps per revolution	<= 32768
Number of revolutions	<= 256000
Output capacity	<= 32 Bit
CANopen - Interface	
- CANopen	EN 50325-4
- Bus connection	ISO 11898-1, ISO 11898-2
- CAN Specification 2.0 A	11-Bit Identifier
- Device-Profile for Encoder	CiA DS406
- Layer Setting Services, LSS	CiA DS305
Incremental - Interface	
- Equipment	Optional interface
- Impulses, square wave	32...8192, power of two's
- Output driver, TTL	RS-422, 5 VDC
- Output driver, HTL	Push-Pull, 11...27 VDC
Parameter/Function, changeable	Resolution
	Download, EDS file

Subject to change.

TR-Electronic GmbH
 Eglisshalde 6
 78647 Trossingen
 Tel. +49 (0) 7425 228-0
 info@tr-electronic.de
www.tr-electronic.de

Absolute-Encoder CES58 - CO

Ref.: K-CES58-CO-1
18.11.2013
010102005802020203

General Data continuation

	Firmware update
	Node-ID
	Preset parameter
	Transmission rate
	Counting direction
Type of parametrization	programmable
Prgramming - Tool	Fieldbus-Device
Maximum Speed, mechanically	<= 12000 1/min
Shaft load, axial/radial	Own mass
Bearing life time	>= 3.9E+10 revolutions
Bearing life time - Parameter - Speed	6000 1/min
- Operating temperature	60 °C
Angular acceleration	<= 10E+4 rad/s ²
Moment of inertia, typically	2.5E-6 kg m ²
Start-up torque, 20 °C	2 Ncm
Mass, typically	0.3...0.5 kg
Optional Parallel Outputs - Cam tracks	8 tracks
- Functions	High-/Low-Limit, hysteresis

Environmental conditions

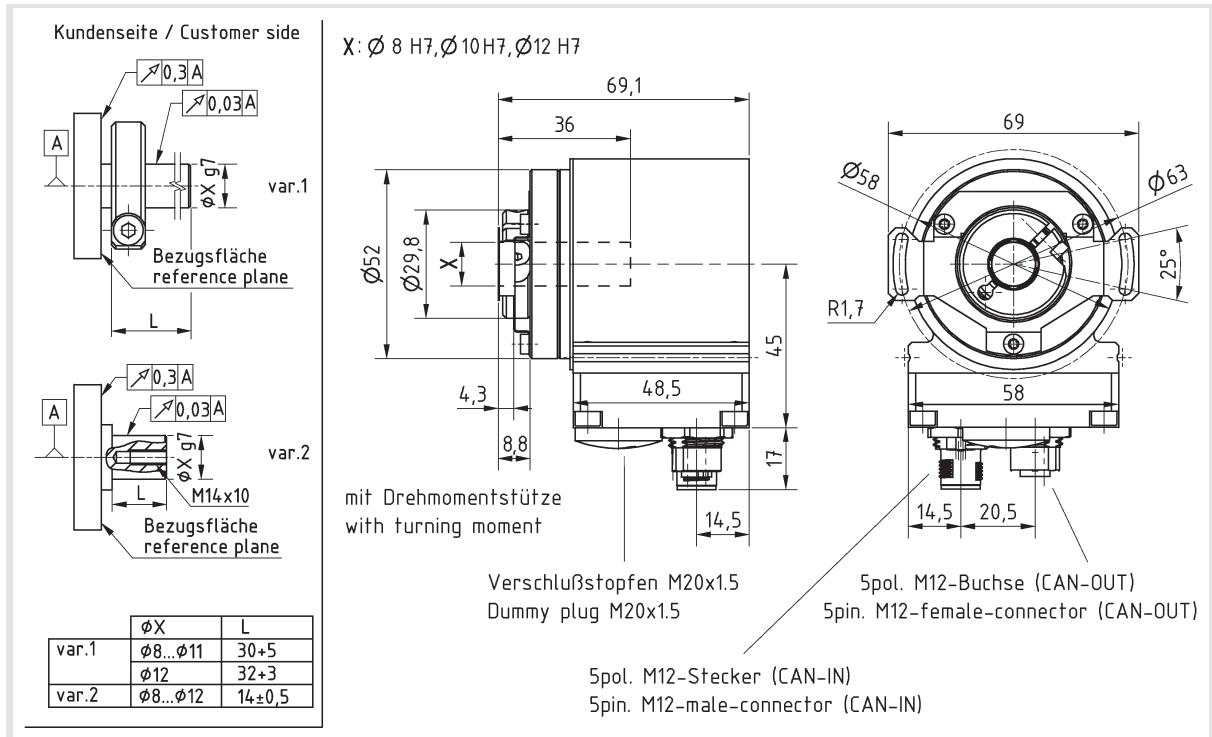
Vibration - Specific value	<= 100 m/s ²
- Sine	50...2000 Hz
Shock - Specific value	<= 1000 m/s ²
- Half sine	11 ms
Immunity to disturbance	DIN EN 61000-6-2
Transient emissions	DIN EN 61000-6-3
Working temperature - Standard	0...+60 °C
- Optional	-20...+70 °C;
Storage temperature, dry	-30...+80 °C
Relative humidity	98 %, non condensing
Protection class - Standard	IP65

Subject to change.

Absolute-Encoder CES58 - CO

Ref.: K-CES58-CO-1
 18.11.2013
 010102005802020203

Dimensional drawing



Suggested products

CES58M*4096/4096 CO+INK 12H7
 1x 8 pol M12

CES58M-00001

Subject to change.

TR-Electronic GmbH
 Eglisshalde 6
 78647 Trossingen
 Tel. +49 (0) 7425 228-0
 info@tr-electronic.de
www.tr-electronic.de