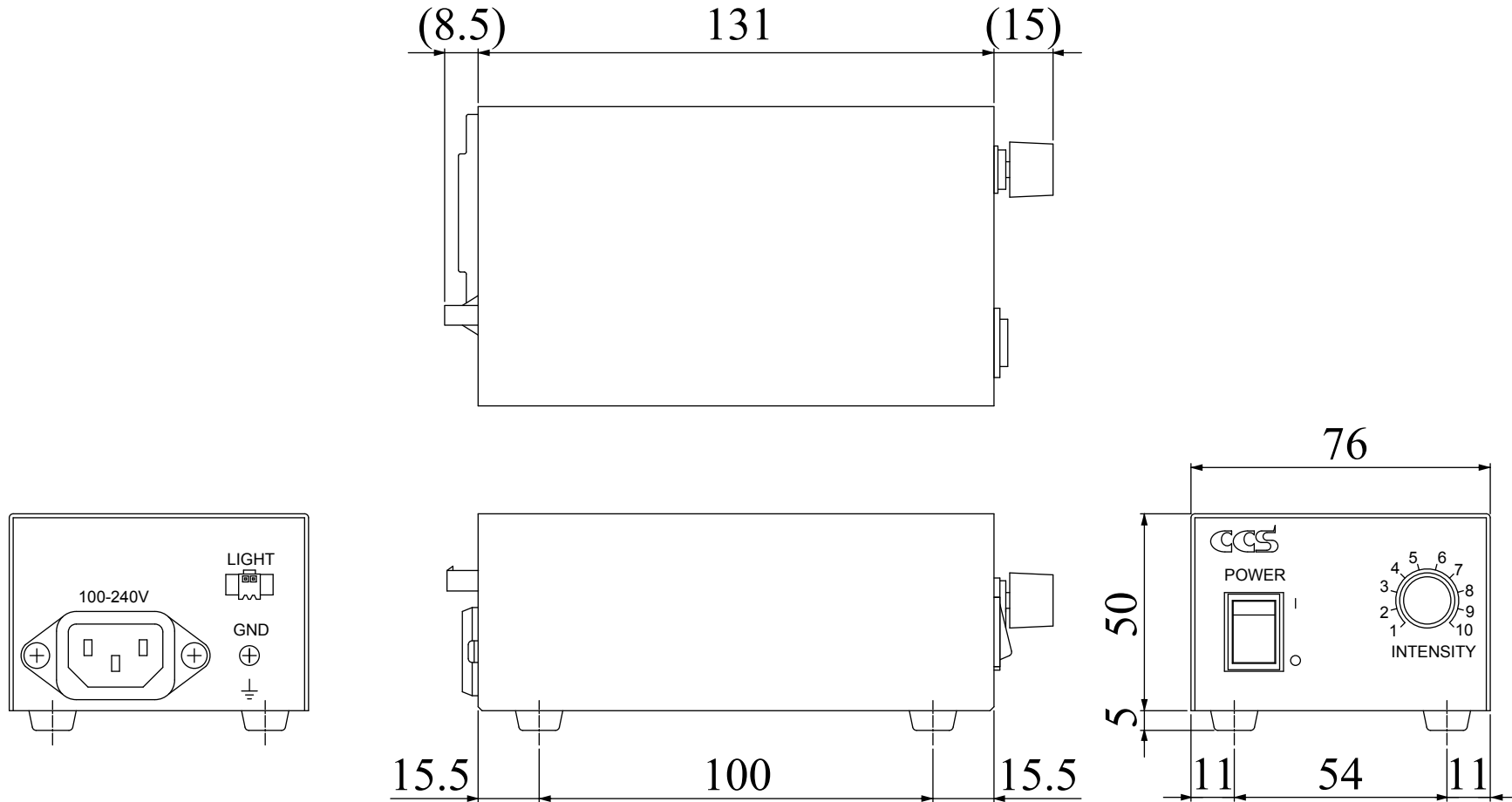


# PSB-1012V-WW/ PSB-1024V-WW

Model	PSB-1012V-WW	PSB-1024V-WW
Power requirements	AC100-240V 27VA	AC100-240V 27VA
Output	12V/10W	24V/10W
Mass	440g	440g
Connector type	2P (1: +, 2: -) x1	3P (1: +, 2: NC, 3: -) x1

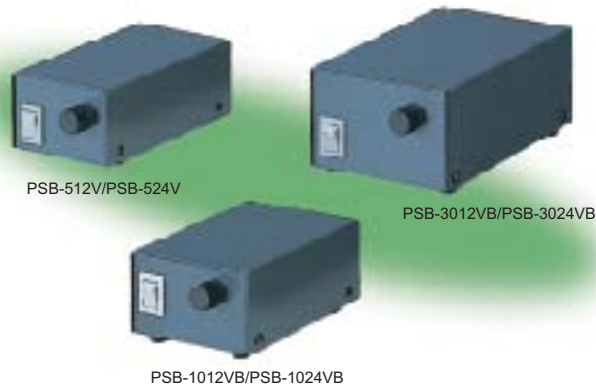
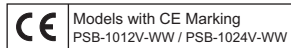
Third Angle Projection Units: mm



# Analog Power Supplies

## PSB Series

### CCS Standard Analog Power Supplies



The PSB Series is an analog power supply series providing stepless intensity control through variable voltage control. It is ideal for continuous use with cameras having a shutter speed of 1/4000 or faster. Worldwide type also available.

\* Models with lock of dimming control knob are available as option.

Models: PSB-512VL/PSB-524VL/PSB-1012VBL/PSB-1024VBL/  
PSB-3012VBL/PSB-3024VBL

## Specifications

RoHS Directive Compatible

Model	Power requirements	Output	Circuit	Connector
PSB-512V	AC100 ~ 120V 15VA	12V/5W	1	SMP-02VX1
PSB-524V	AC100 ~ 120V 15VA	24V/5W	1	SMP-03VX1
PSB-1012VB	AC100 ~ 120V 27VA	12V/10W	1	SMP-02VX1
PSB-1024VB	AC100 ~ 120V 27VA	24V/10W	1	SMP-03VX1
PSB-3012VB	AC100 ~ 120V 78VA	12V/30W	1	SMP-02VX2
PSB-3024VB	AC100 ~ 120V 78VA	24V/30W	1	SMP-03VX2
PSB-1012V-WW	AC100 ~ 240V 27VA	12V/10W	1	SMP-02VX1
PSB-1024V-WW	AC100 ~ 240V 27VA	24V/10W	1	SMP-03VX1

## Dimensions (Unit: mm)

