

## Navitar Lens DO-1614 Specifications

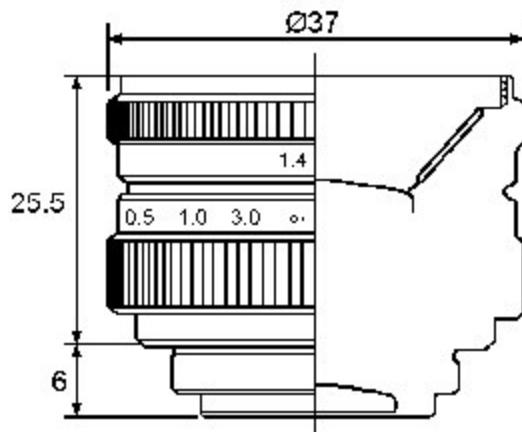


Illustration Dimensions are in mm.  
25.4mm=1 inch.

Model		DO-1614
Focal Length (mm)		16.0
Iris Range/ F-Stop		1.4 - Close
Control	Iris	Manual
	Focus	Manual
	Zoom	N/A
Object Area at M.O.D (HxV)	2/3"	163 x 122
	1/2"	118 x 88
	1/3"	88 x 66
	1/4"	59 x 44
Focusing Range (meters)		0.3 - infinity
Field Angle (HxV)	2/3"	30° 18' x 22° 48'
	1/2"	22° 00' x 16° 36'
	1/3"	16° 36' x 12° 30'
	1/4"	11° 01' x 8° 17'
Back Focal Length (mm)		12.00
Filter Diameter		$\text{Ø}34$ P= 0.50
Mount		C-Mount
Weight (grams)		60
Exit Pupil Position		- 16.0 (from image plane)

