

## Navitar Lens DO-2814 Specifications

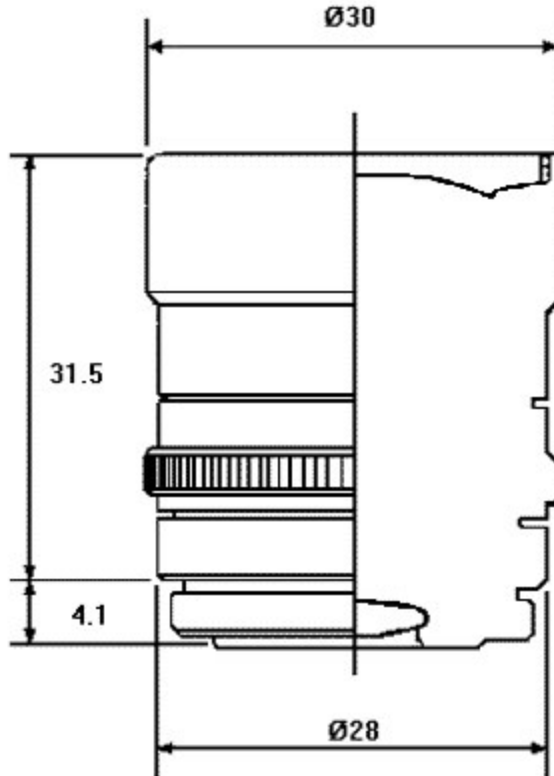


Illustration Dimensions are in mm.  
25.4mm=1 inch.

Model		DO-2814
Focal Length (mm)		2.8
Iris Range/ F-Stop		1.4 - Close
Control	Iris	Manual
	Focus	Manual
	Zoom	N/A
Object Area at M.O.D. (HxV)	1/3"	579 x 414
	1/4"	386 x 276
Focusing Range (meters)		0.3 Fixed
Field Angle (HxV)	1/3"	86° 18' x 67° 42'
	1/4"	57° 32' x 45° 08'
Back Focal Length (mm)		8.5
Filter Diameter		Ø27 P=0.50
Mount		CS-Mount
Weight (grams)		60
Exit Pupil Position		- 193.9 (from image plane)

**This lens is also available without iris:  
Part Number DO-2814NI**