

Linear-Transducer LP38 - SSI

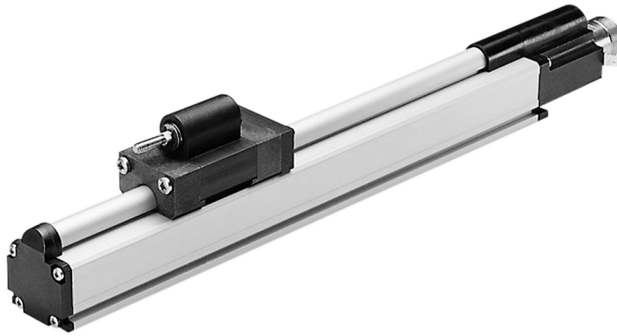
Ref.: K-LP38-SSI-1

14.11.2013

0102010120

Advantages

- _ Customer-specific solutions
- _ Flexible programming
- _ Further interfaces available
- _ Measures linear movements
- _ Profile housing
- _ Simple integration
- _ Wear-free detection



General Data

Supply	
- Supply voltage	24 VDC, -20...+10 %
Current consumption no load	<= 250 mA
Measuring principle	magnetostrictive
Measuring length, standard	150...3000 mm, in steps
Resolution	0.01 mm
Linearity deviation	< 0.05 %
Reproducibility	0.01 mm
Hysteresis	0.1 mm
Temperature coefficient	< 8 $\mu\text{m}/^\circ\text{C}$ <= 500 mm < 15 ppm/ $^\circ\text{C}$ > 500 mm
Straight line velocity	no restrictions
Mounting position	no restrictions
Material - Measuring body	Aluminium extruded profile
Magnet	T4-U3820 other on request
SSI - Interface	
- SSI-Clock input	Optocoupler
- SSI-Data output	RS-422, 2-wire
- SSI-Clock frequency	95...1000 kHz
- SSI-Mono time, typically	20 μs

Subject to change.

TR-Electronic GmbH
 Eglshalde 6
 78647 Trossingen
 Tel. +49 (0) 7425 228-0
 info@tr-electronic.de
www.tr-electronic.de

Linear-Transducer LP38 - SSI

Ref.: K-LP38-SSI-1
 14.11.2013
 0102010120

General Data continuation

Parameter/Function, changeable	Resolution
	Output code
	Output format
	Error signal
	Preset parameter
	Synchronization
	Counting direction
Type of parametrization	programmable
Prgramming - Tool	TR-Tool: PT-100-N
Cycle time, internal	see dimensional drawing
External inputs	
- F/R	Count direction
- Preset	electronic adjustment
- Logic level	"0" < +2V, "1" = Supply

Environmental conditions

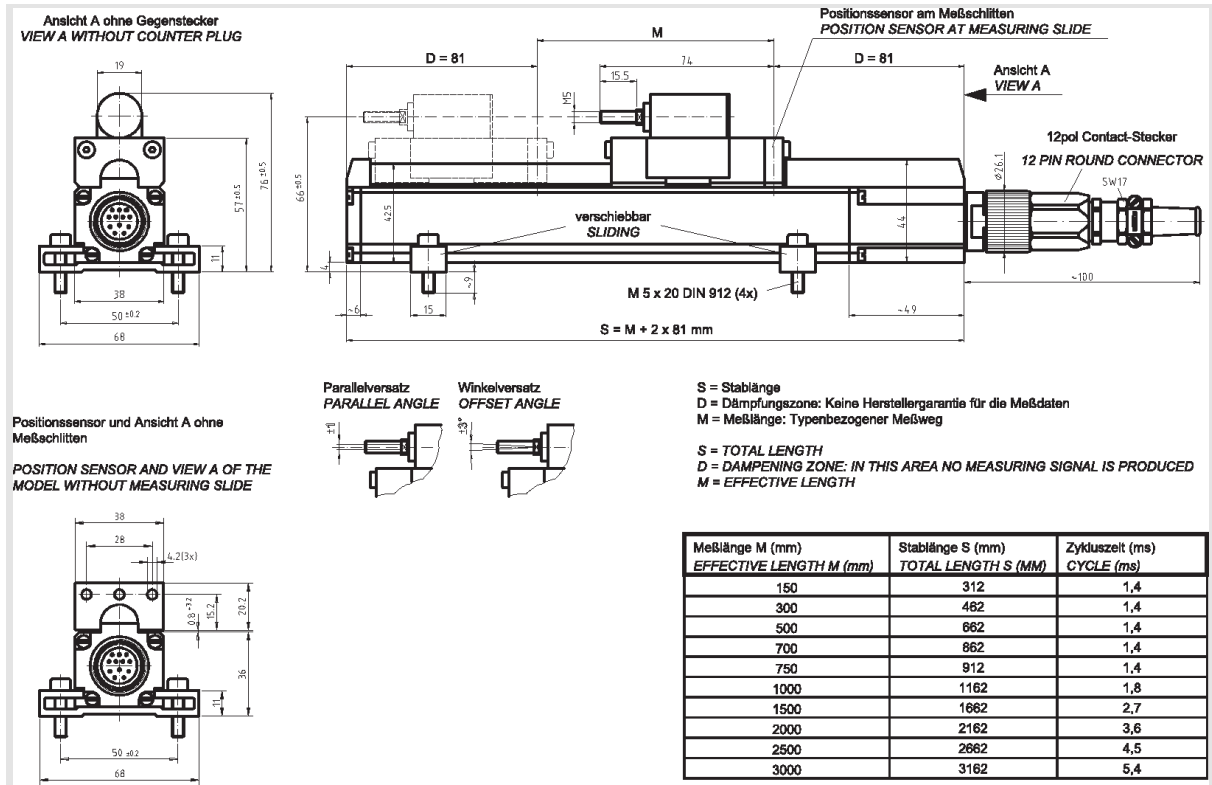
Vibration	
- Specific value	$\leq 100 \text{ m/s}^2$
- Sine	50...2000 Hz
Shock	
- Specific value	$\leq 500 \text{ m/s}^2$
- Half sine	11 ms
Immunity to disturbance	DIN EN 61000-6-2
Transient emissions	DIN EN 61000-6-3
Working temperature	
- Standard	0...+70 °C
- Optional	-20...+70 °C;
Storage temperature, dry	-30...+85 °C
Relative humidity	98 %, non condensing
Protection class	
- Standard	IP65
Stray magnetic field	< 3 mT
Measuring reference	Measuring plane

Subject to change.

Linear-Transducer LP38 - SSI

Ref.: K-LP38-SSI-1
 14.11.2013
 0102010120

Dimensional drawing



Subject to change.

TR-Electronic GmbH
 Eglisshalde 6
 78647 Trossingen
 Tel. +49 (0) 7425 228-0
 info@tr-electronic.de
www.tr-electronic.de