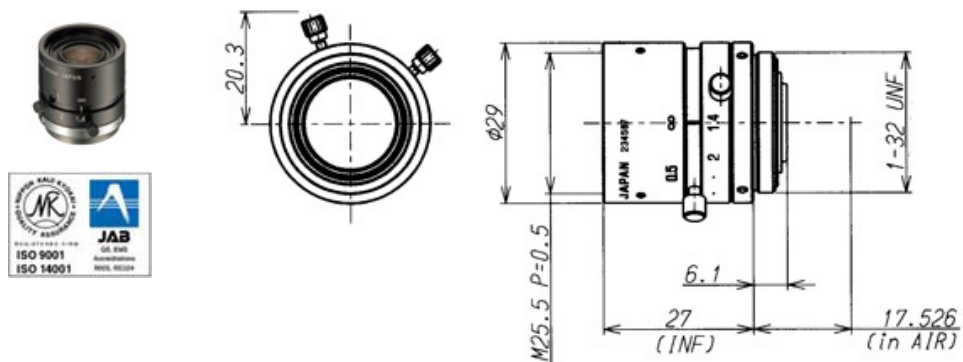




1/1.8 8MM F/1.4 with Lock for Mega Pixel Cameras



SPECIFICATIONS

Focal Length	8mm
Aperture Range	F/1.4-16
Iris Operation	Manual w/Lock
Focus Operation	Manual w/Lock
Mount	C
1/1.8" Angle of View (horizontal/vertical)	50.8° x 38.6°
1/2" Angle of View (horizontal/vertical)	45.0° x 34.0°
1/3" Angle of View (horizontal/vertical)	34.0° x 25.6 °
Filter Size	M25.5 P=0.5mm
Back Focus (in air)	11.726mm
Weight	grams
Operating Temperature	-10° C ~ +60° C