


[Home](#)
[Products](#)
[Services](#)
[Contact](#)
[About Us](#)

Industrial Camera Enclosures for Machine Vision Systems

[Pricing](#)
[Accessories](#)
[PDF Drawing](#)
[PDF Doc File](#)
[Download Acrobat](#)

L7 Enclosure

Harsh Environment

Good for Washdown Areas

Product Features

- Built for highly corrosive environments
- Designed for vertical layout cameras
- Meets IP66 standards (depending on configuration)
- 316 stainless steel construction
- Designed to work in food applications
- Camera to Viewport distance can be changed to handle long or wide angle lenses
- Comes standard with glass or polycarbonate viewport
- Works with pre-made cables

The L7 enclosure is a 316 stainless steel housing for your Cognex 5000 series or DVT 500 series camera. Designed to work in highly corrosive environments, it also is designed to work in food applications, with care taken to reduce pockets where water might sit.

The enclosure is highly configurable, with options for both drillable and single cable cord grips, air cooling options and an air curtain faceplate option.

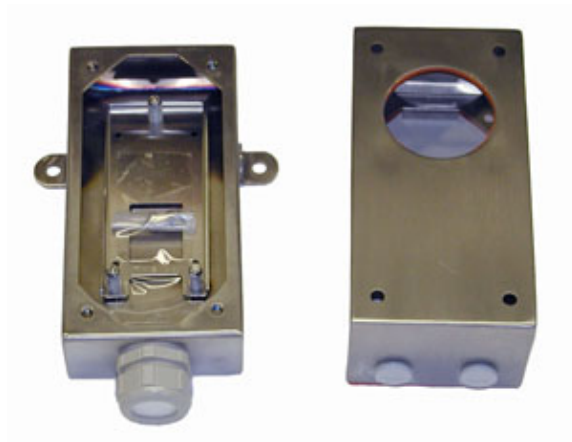
The standard cable gland at the bottom of the enclosure uses a split insert to provide a watertight seal around one or more cables. The gland allows passage of the standard I/O and power cable (and the Ethernet cable) without removal of the connectors from the cables.

The enclosure is designed so that once the enclosure cover is removed, the user has full access to the lens, taking the guesswork out of changing focus and f-stop settings.

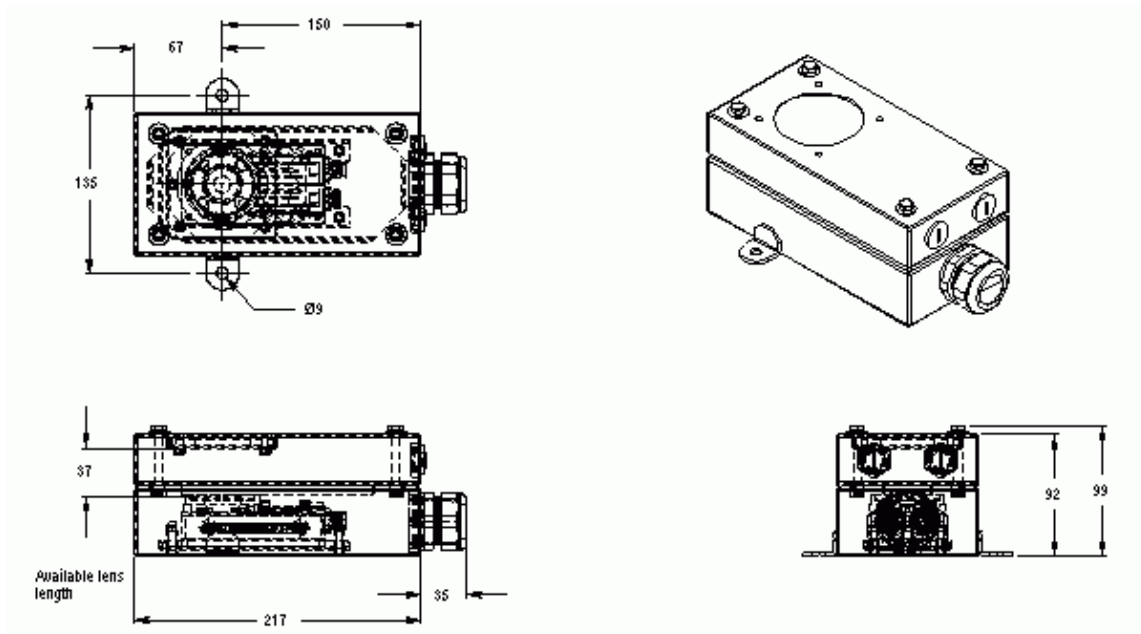
The standard L7 enclosure handles a lens length of mm, and spacers allow the lens to be adjusted close to the



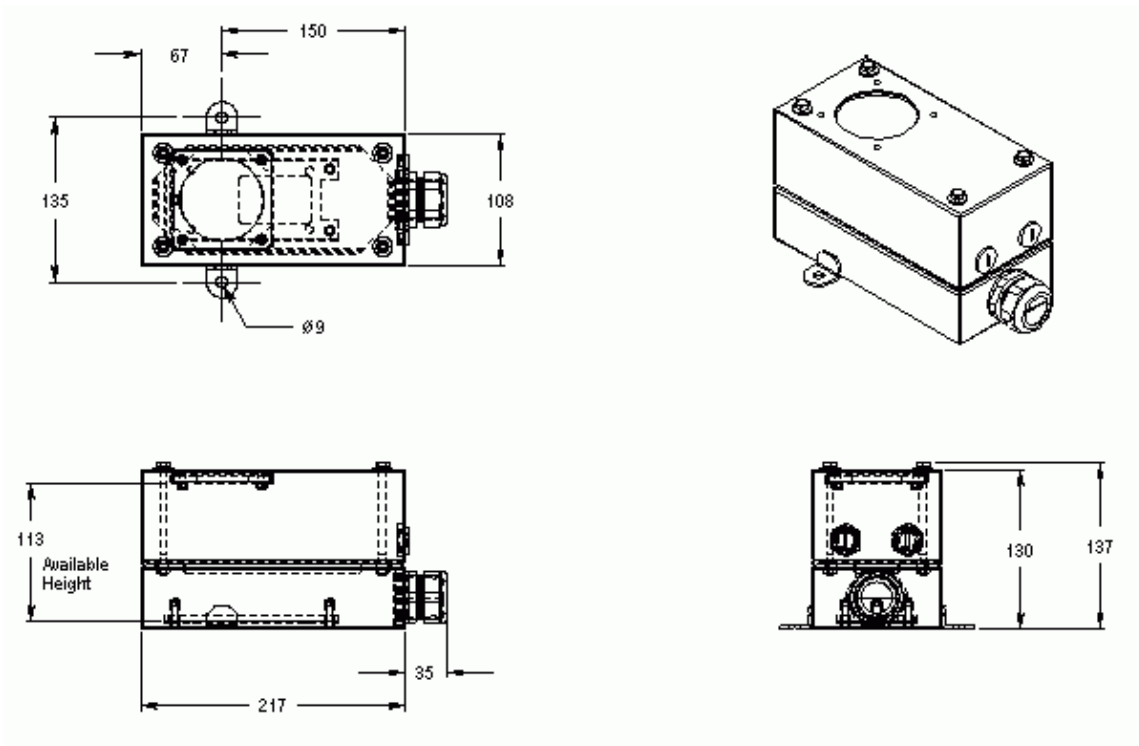
viewport to reduce reflections. The enclosure also is designed to readily accommodate large diameter lenses or ringlights up to 65mm in diameter (lit area).



Standard Lid



Extended Lid



Enclosure is constructed of 16 gauge 316 stainless steel.
 All external fasteners are 316 stainless steel.
 Fasteners (M4x8 BHSCS) to mount the Cognex 5000 or DVT 500 series camera are included.

Enclosure meets NEMA 4X standards when equipped with single cable cord grips.

Cord grip options include: Single cable cord grips (PG11), drillable PG29 29mm cord grip, 1" NPT conduit, 1/4" NPT connectors for air cooling and pressure regulation. Enclosure also is available with an air curtain faceplate. Call APG for options.

Weight: 3.2 lb.

Part Number	Description
L7-AA	Cognex 5000/DVT 500 series enclosure, complete mod kit
L7-AB	Cognex 5000/DVT 500 series enclosure, sealed, poly VP
L7-AE	Cognex 5000/DVT 500 series enclosure, sealed, glass VP
L7-BA	Extended Lid Cognex 5000/DVT 500 series enclosure, complete mod kit

For options to customize your enclosure, go to the [L7 Accessories Page](#).

If you have any further questions or would like to order any of our products:

Allison Park Group, Inc.
4091 Route 8, Suite 300, Allison Park, PA 15101 USA * E-mail: sales@apgvision.com
Phone: 412-487-8211 * Fax: 412-486-3157 * Web: www.apgvision.com

[Home](#)

[Products](#)

[Services](#)

[Contact](#)

[About Us](#)