

Absolute-Encoder CMV22 - A, <= 256 Rev.

Ref.: K-CMV22-A-1

18.11.2013

010102002201010201

Advantages

- _ Alternative for potentiometers
- _ Customer-specific solutions
- _ Further interfaces available
- _ Very small construction



General Data

Supply	
- Supply voltage	14...30 VDC
Current consumption no load	<= 50 mA
Device design	
- Type	Single-/Multi-Turn
Total resolution	<= 20 Bit
Number of steps per revolution	<= 4096
Number of revolutions	<= 256
Accuracy	$\pm 1,0^\circ$
Analog - Interface	
- Voltage/Current	programmable
- Resolution	12 Bit D/A converter
- Resolution	16 Bit D/A converter, optional
- Voltage output	0...+10 VDC
- Load resistance (U)	≥ 15 kOhm
- Current output	0...24 mA
- Load resistance (I)	<= 350 Ohm
Cycle time	500 μ s
Parameter/Function, changeable	Resolution
	Analog Voltage/Current
	Preset parameter

Subject to change.

TR-Electronic GmbH
 Eglisshalde 6
 78647 Trossingen
 Tel. +49 (0) 7425 228-0
 info@tr-electronic.de
www.tr-electronic.de

Absolute-Encoder CMV22 - A, ≤ 256 Rev.

Ref.: K-CMV22-A-1
18.11.2013
010102002201010201

General Data continuation

	Counting direction
Type of parametrization	programmable
Prgramming - Tool	TR-Soft: TRWinProg
External inputs	
- Function input	Count direction or Preset
- Type of parametrization	programmable
- Logic level	"0" < +2V, "1" = Supply
Maximum Speed, mechanically	≤ 10000 1/min
Shaft load, axial/radial	≤ 10 N, ≤ 5 N
Bearing life time	$\geq 30E+9$ revolutions
Bearing life time - Parameter	
- Speed	3000 1/min
- Operating temperature	≤ 25 °C
- Shaft load, axial/radial	≤ 5 N, $\leq 2,5$ N
Point of origin, shaft load	at the shaft end

Environmental conditions

Vibration	
- Specific value	≤ 100 m/s ²
- Sine	50...2000 Hz
Shock	
- Specific value	≤ 1000 m/s ²
- Half sine	11 ms
Immunity to disturbance	DIN EN 61000-6-2
Transient emissions	DIN EN 61000-6-3
Working temperature	
- Standard	0...+60 °C
Storage temperature, dry	0...+85 °C
Protection class	
- Standard	IP64

Subject to change.

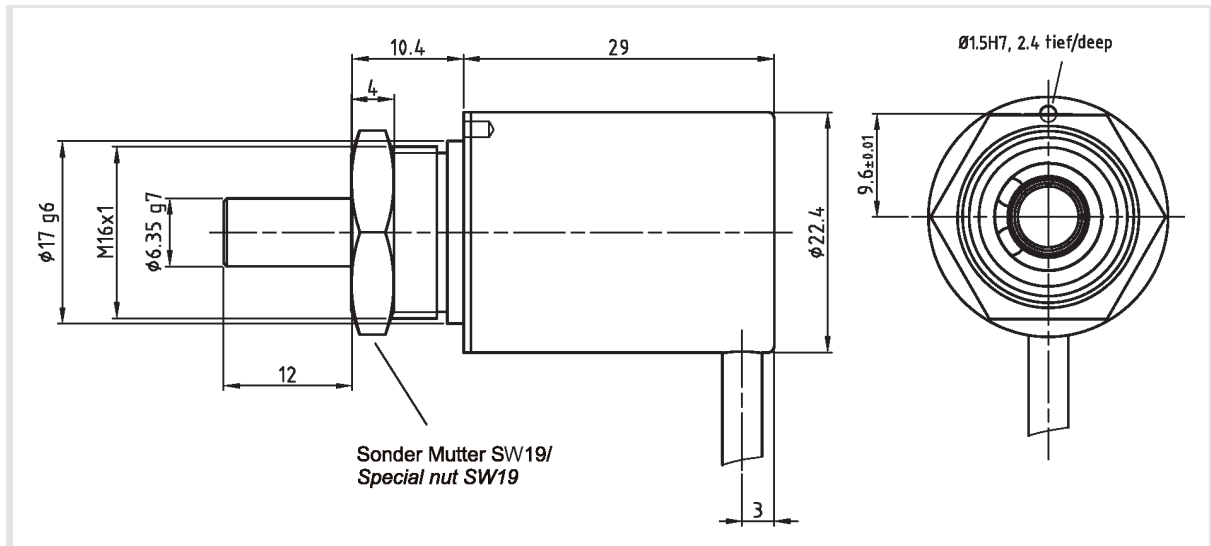
Absolute-Encoder CMV22 - A, <= 256 Rev.

Ref.: K-CMV22-A-1

18.11.2013

010102002201010201

Dimensional drawing



Suggested products

CMV22M*4096/256 ANA_U 1/4"X12 0,5 m Ltg. 0...10V Preset	CMV22M-00008
CMV22M*4096/256 ANA_I 1/4"X12 0,5 m Ltg. 4...20 mA Preset	CMV22M-00025
CMV22S*4096/1 ANA_U 1/4"X12 0,5 m Ltg. 0...10V	CMV22S-00001
CMV22S*4096/1 ANA_I 1/4"X12 0,5 m Ltg. 4...20 mA Preset	CMV22S-00004

Subject to change.