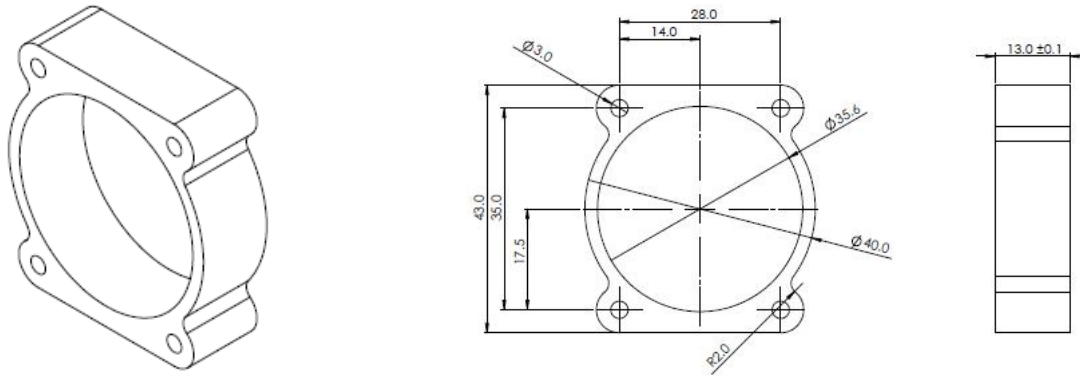


DM500-LNSEXT-000: C-Mount Lens Cover Extender



Some applications using the DataMan 500 and DataMan 300 (DM300 with HPIA ONLY) require the use of c-mount lenses that extend beyond the mechanical limits of the standard DataMan c-mount lens cover. The DM500-LNSEXT-000 lens cover extender expands the number of c-mount lenses that fit under the standard lens cover. This enables the end-user to maintain their IP rating when using c-mount lenses with the DataMan 500 and DataMan 300.

DM500 Lens Cover Compatibility Chart*:

Lens focal length	Standard Cover (DM500-CMTLC-000)	Standard Cover with Extender	DM500 with HPIA	DM500 with HPIA and Extender
Tamron 8 mm (Cognex part number LTC-08F)	✓	✓	✓	✓
Tamron 8 mm with filter	X	✓	✓	✓
Tamron 12 mm (Cognex part number LTC-12F)	✓	✓	✓	✓
Tamron 12 mm with filter	X	✓	✓	✓
Tamron 16 mm (Cognex part number LTC-16F)	✓	✓	✓	✓
Tamron 16 mm with filter	X	✓	✓	✓
Tamron 25 mm (Cognex part number LTC-25F)	✓	✓	✓	✓
Tamron 25 mm with filter	X	✓	✓	✓
Tamron 35 mm (Cognex part number LTC-35F)	X	✓	✓	✓
Tamron 35 mm with filter	X	✓	✓	✓
Tamron 50 mm (Cognex part number LTC-50F)	X	X	X	✓
Tamron 50 mm with filter	X	X	X	X

*Assume a 1 mm spacer is used in all configurations



DM300 Lens Cover Compatibility Chart:

Lens focal length	DM300 with DM300-CMCOV Cover	DM300 with HPIA	DM300 with HPIA and Extender
Tamron 8 mm (Cognex part number LTC-08F)	✓	✓	✓
Tamron 8 mm with filter	✓	✓	✓
Tamron 12 mm (Cognex part number LTC-12F)	✓	✓	✓
Tamron 12 mm with filter	✓	✓	✓
Tamron 16 mm (Cognex part number LTC-16F)	✓	✓	✓
Tamron 16 mm with filter	✓	✓	✓
Tamron 25 mm (Cognex part number LTC-25F)	✓	✓	✓
Tamron 25 mm with filter	✓	✓	✓
Tamron 35 mm (Cognex part number LTC-35F)	✓	✓	✓
Tamron 35 mm with filter	✓	X	✓
Tamron 50 mm (Cognex part number LTC-50F)	✓	X	✓
Tamron 50 mm with filter	X	X	✓

NOTE: The DM500-LNSEXT-000 is not compatible with the DM300-CMCOV lens cover.