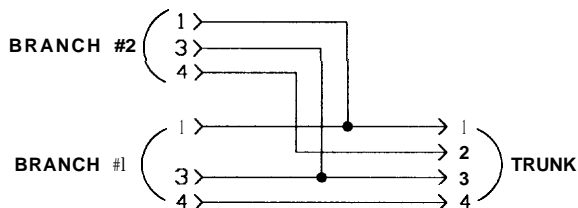


Combines 2 Sensors into One Cable  
For Use on Cylinders and Other Dual Input Applications  
Tough Molded Polyurethane Construction  
For 3-wire DC Sensors or Switches

Selection Guide

Female Pinouts		Male Pinout	
Function	<ol style="list-style-type: none"> <li>1. +VDC</li> <li>2. Not connected</li> <li>3. Common</li> <li>4. Input</li> </ol>	Function	<ol style="list-style-type: none"> <li>1. +VDC</li> <li>2. Output (Branch #2)</li> <li>3. Common</li> <li>4. Output (Branch #1)</li> </ol>
Rating	250 V, 4.0 A		
	Part Number - *l_ength in Meters		
Receptades only	VB2-FSM 4.4/2FKM4		
- Trunk Receptade - branch cords&s	VB2-FSM.4/2RK 4T-0.3/0.3		
-Trunk Cable - branch receptacles	VB2-RS 4.4T-1/2FKM4		
- Trunk Cable branch cordsets	YB2-RS 4.4T-1/2RK 4T-0.3/0.3		
Mating cordset	eurofast Cordsets		

Wiring Diagram

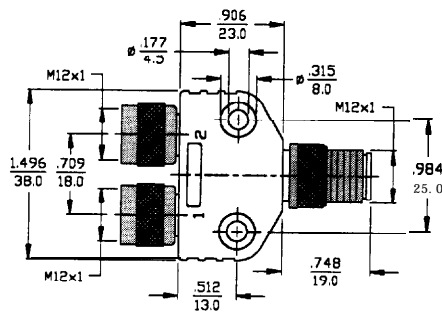


## Specifications

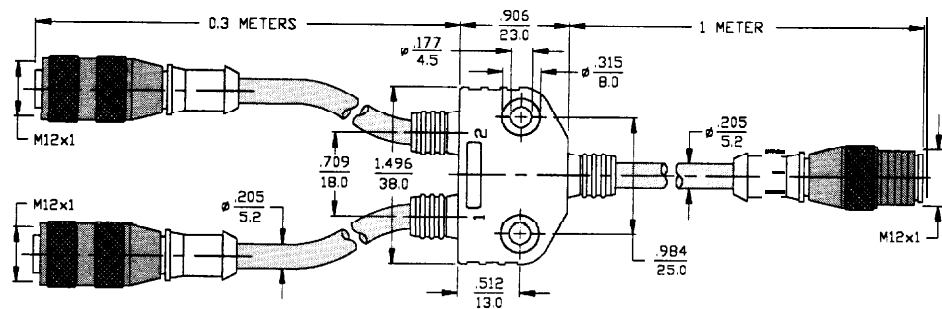
<b>Junction Body:</b>	Oil resistant yellow polyurethane over PA 12 (Nylon) insert.
<b>Connector:</b>	Oil resistant polyurethane body material, PA 6 (Nylon) contact carrier, 250 V rating, spacings to VDE 0110 Group C (250 VAC / 300 VDC).
<b>Contacts:</b>	Gold plated brass, machined from solid stock.
<b>Coupling Nuts:</b>	Nickel plated brass.
<b>Cable:</b>	Oil resistant grey PVC jacket, 300 V 105°C. Non-wicking, non-hygroscopic. UL recognized, CSA certified
<b>Conductors:</b>	High flex stranding, PVC insulation.
<b>Temperature:</b>	-40°C to +105°C (-40°F to +221°F)
<b>Protection:</b>	NEMA 1,3,4,6P and IEC IP 68.

## Dimensions

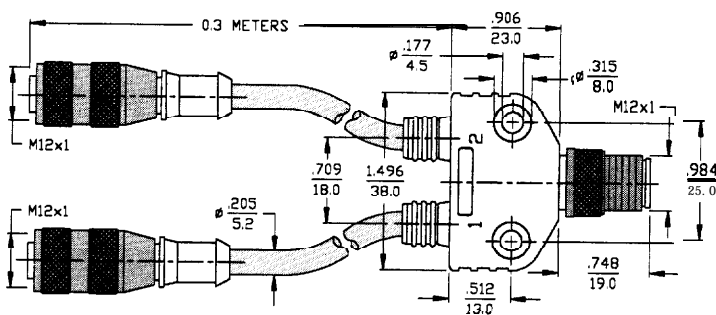
VB2-FSM 4.4/2FKM 4



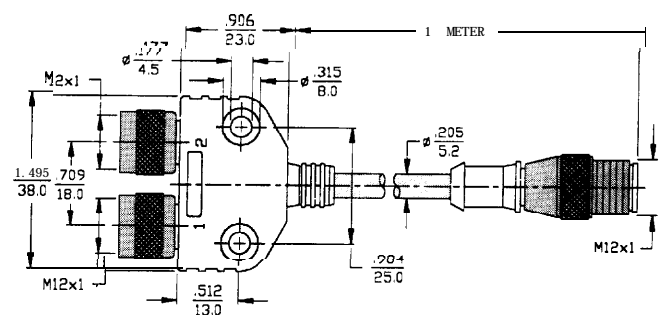
VB2-RS 4.4T-1/2RK 4T-0.3/0.3



VB2-FSM 4.4/2RK 4T-0.3/0.3



VB2-RS 4.4T-1/2FKM 4



## Cable length

- Standard lead lengths: Trunk - nominal 1 meter.  
Branches - nominal 0.3 meters.
- Other lead lengths available by special order. Please consult factory.

## Options

- Stainless steel coupling nut.  
Change part # (VB2-RS .. to VB2-RSV ..).
- Nylon coupling nut.  
Change part # (VB2-RS .. to VB2-RSK ..).
- Right Angle configurations available. Please consult factory.