

SR23 INSTRUCTION MANUAL

CONTROLS

OUTPUT LED (YELLOW)

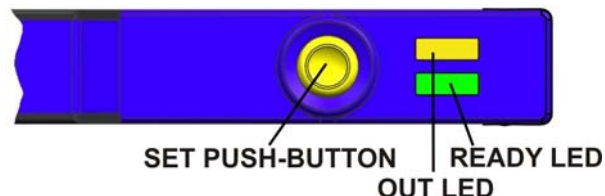
The yellow LED ON indicates output activation.

READY LED (green)

The green LED continuously ON indicates a normal operating condition. Refer to the "SETTING" paragraph for the correct setting phase indications.

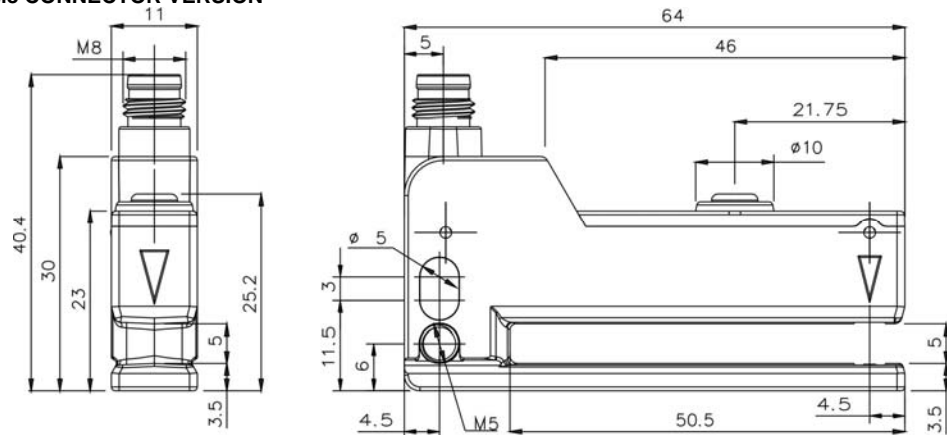
SET PUSH-BUTTON

Press SET push-button to activate acquisition.

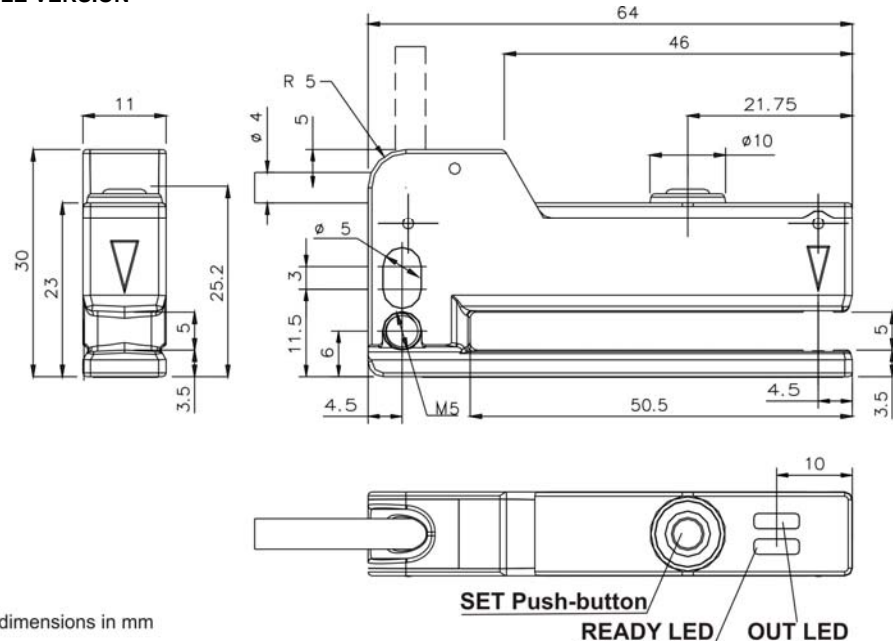


DIMENSIONS

M8 CONNECTOR VERSION

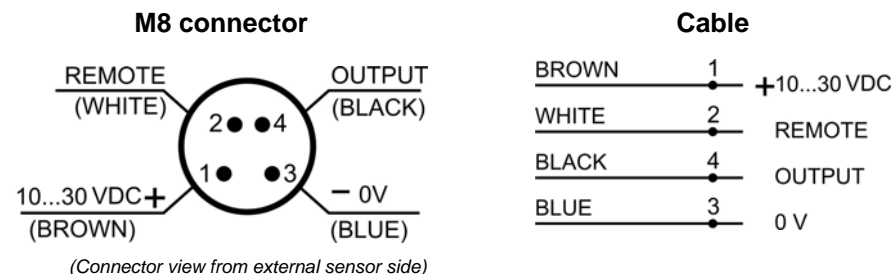


CABLE VERSION



dimensions in mm

CONNECTIONS



TECHNICAL DATA

Power supply:	10 ... 30 VDC; reverse polarity protection
Ripple:	2 Vpp max.
Consumption (output current excluded):	30 mA max.
Outputs:	NPN and PNP according to the model; pull up/down resistance= 33 KΩ
Input / Remote:	10... 30 VDC
Current output:	100 mA max. short-circuit protection
Capacitive load:	≤ 0.2μF
Output saturation voltage:	2 V max. (values at maximum output current)
Response time:	40 μs max.
Switching frequency:	12 kHz max.
Tape speed during acquisition:	≤ 20m/min (30cm/s)
Humidity:	35 ... 85% rH non condensing
Indicators:	READY LED (GREEN) OUT LED (YELLOW)
Setting:	SET push-button
Data retention:	EEPROM non volatile memory
Operating temperature:	-20 ... 55°C
Storage temperature:	-20 ... 70°C
Dielectric strength:	500 VAC, 1 min between electronic parts and housing
Insulating resistance:	>20 MΩ, 500 VDC between electronic parts and housing
UL requirements:	Class 2 power supply according to UL 508-Type 1 Enclosure minimum distance between the "Proximity Switch Metal Enclosure" and any "External uninsulated live part" shall be at least 12.7 mm
Emission frequency:	50 kHz frequency modulated light
Emission type:	INFRARED 850 nm
Ambient light rejection:	according to EN 60947-5-2
Vibrations:	0.5 mm amplitude, 10 ... 55 Hz frequency, for every axis (EN60068-2-6)
Shock resistance:	11 ms (30 G) 6 shocks per every axis (EN60068-2-27)
Slot width:	5 mm
Slot depth:	50 mm
Limits of detectable object:	Label width: ≥ 2 mm Gap width: ≥ 2 mm
Housing material:	Zinc alloy
Lens material:	PBT
Mechanical protection:	PC
Connections:	IP65
Weight:	2m cable / M8 4-pole connector
Housing material:	85 g. cable vers. / 46 g. M8 connector vers.

REMOTE FUNCTION AND PUSH-BUTTON BLOCKING

Using the REMOTE input, it is possible to perform the same SET check outside the sensor. When the REMOTE wire is connected to +Vdc, it is as if the SET push-button was pressed.

Upon sensor switch-on, if the REMOTE wire is connected to +VDC, the block function is activated so the SET push-button is no longer active. To disable push-button block, switch sensor off and back on with the REMOTE wire disconnected or connected to 0 V.

After push-button block, it is possible to program the device using the REMOTE input.

SETTING

The device is factory-set with output active on support-label (background). This setting can be changed as described below.

DYNAMIC acquisition:

- Insert labels into sensor slot.
- Press SET push-button for 1 second until the READY green LED switches OFF. If the OUT yellow LED is ON, it will turn off together with the READY green LED.
- Release SET push-button. At this stage, switching output is frozen on the last valid status before acquisition.
- The READY green LED blinks slowly, thereby indicating acquisition in progress.
- Slide the labels through the sensor, at a maximum speed of 20 m/min (30 cm/s), until at least 3...8 labels get through the sensor.
- Briefly press SET push-button to end acquisition stage: 3 blinks of the READY green LED indicate correct acquisition.

In case of unsuccessful acquisition, the READY green LED blinks quickly. If this is the case, briefly press SET push-button to go back to the beginning of acquisition stage and repeat the process. If error persists, label-to-background contrast might be not sufficient to obtain a correct acquisition result.

STATIC acquisition:

- Place the object to detect (the support or the label) into the sensor slot. If necessary, remove one or more labels to help positioning on the support.
- Press SET push-button for 3 seconds until the OUT yellow LED blinks. When you press SET, if the OUT yellow LED is on, it will turn off in 1 second. At this stage, switching output is frozen on the last valid status before acquisition.
- Release SET push-button; the sensor acquires the target. The OUT yellow LED blinks slowly.
- Place the object to ignore (the support or the label) into the sensor slot.
- Briefly press SET push-button; the sensor acquires the target: 3 blinks of the READY green LED indicate correct acquisition.

In case of unsuccessful acquisition, the READY green LED blinks quickly. If this is the case, briefly press SET push-button to go back to the beginning of acquisition stage and repeat the process. If error persists, label-to-background contrast might be not sufficient to obtain a correct acquisition result.

Reversing Output status:

- Press SET push-button for 7 seconds until both READY green LED and OUT yellow LED blink at the same time.
- Release SET push-button. Output status is now reversed compared to previous conditions. This setting is saved to the device.

Restoring the device factory settings:

- Press SET push-button for 12 seconds until both READY green LED and OUT yellow LED blink quickly.
- Release SET push-button. The device factory settings are now restored.

Output short-circuit warning:

In case of short-circuit of the PNP or NPN output, the READY green LED and OUT yellow LED blink quickly and alternatively.

The sensors are NOT safety devices, and so MUST NOT be used in the safety control of the machines where installed.

DECLARATION OF CONFORMITY

We Datalogic Automation declare under our sole responsibility that these products are conform to the 2004/108/CE and successive amendments.



WARRANTY

Datalogic Automation warrants its products to be free from defects. Datalogic Automation will repair or replace, free of charge, any product found to be defective during the warranty period of 36 months from the manufacturing date. This warranty does not cover damage or liability deriving from the improper application of Datalogic Automation products.

DATALOGIC AUTOMATION srl

Via Lavino 265 - 40050 Monte S.Pietro - Bologna - Italy
Tel: +39 051 6765611 - Fax: +39 051 6759324 www.datalogic.com

DATALOGIC AUTOMATION cares for the environment: 100% recycled paper.

DATALOGIC AUTOMATION reserves the right to make modifications and improvements without prior notification.

© 2014 Datalogic Automation - ALL RIGHTS RESERVED - Protected to the fullest extent under U.S. and international laws. • Copying, or altering of this document is prohibited without express written consent from Datalogic Automation. Datalogic and the Datalogic logo are registered trademarks of Datalogic S.p.A. in many countries, including the U.S.A. and the E.U.