

Absolute-Encoder CMV58 - SSI

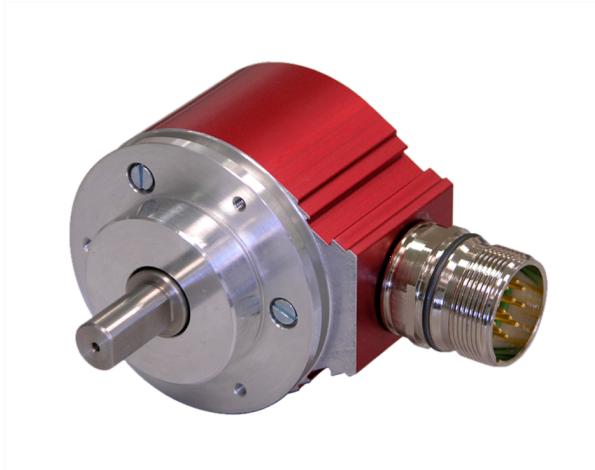
Ref.: K-CMV58-SSI-1

18.11.2013

010102005801010201

Advantages

- _ Economical alternative
- _ Further interfaces available
- _ Rugged standard solution
- _ Short lead times
- _ Small construction



General Data

Supply	
- Supply voltage	11...27 VDC
Current consumption no load	<= 150 mA
Device design	
- Type	Single-/Multi-Turn
Total resolution	<= 23 Bit
Number of steps per revolution	<= 2048
Number of revolutions	<= 4096
Accuracy	$\pm 1,0^\circ$
SSI - Interface	
- SSI-Clock input	Optocoupler
- SSI-Data output	RS-422, 2-wire
- SSI-Clock frequency	80...1000 kHz
- SSI-Mono time, typically	20 μ s
Parameter/Function, changeable	Resolution
	Output code
	Number of data bits
	Preset parameter
	Counting direction
Type of parametrization	programmable
Prgramming - Tool	TR-Soft: TRWinProg

Subject to change.

TR-Electronic GmbH
 Eglshalde 6
 78647 Trossingen
 Tel. +49 (0) 7425 228-0
 info@tr-electronic.de
www.tr-electronic.de

Absolute-Encoder CMV58 - SSI

Ref.: K-CMV58-SSI-1

18.11.2013

010102005801010201

General Data continuation

External inputs	
- F/R	Count direction
- Preset	electronic adjustment
- Logic level	"0" < +2V, "1" = Supply
Maximum Speed, mechanically	<= 12000 1/min
Shaft load, axial/radial	<= 10 N, <= 20 N
Bearing life time	>= 3.9E+10 revolutions
Bearing life time - Parameter	
- Speed	6000 1/min
- Operating temperature	60 °C
- Shaft load, axial/radial	<= 5 N, <= 10 N
Point of origin, shaft load	at the shaft end
Angular acceleration	<= 10E+4 rad/s ²
Moment of inertia, typically	1.3E-6 kg m ²
Start-up torque, 20 °C	2 Ncm
Mass, typically	0.3 kg

Environmental conditions

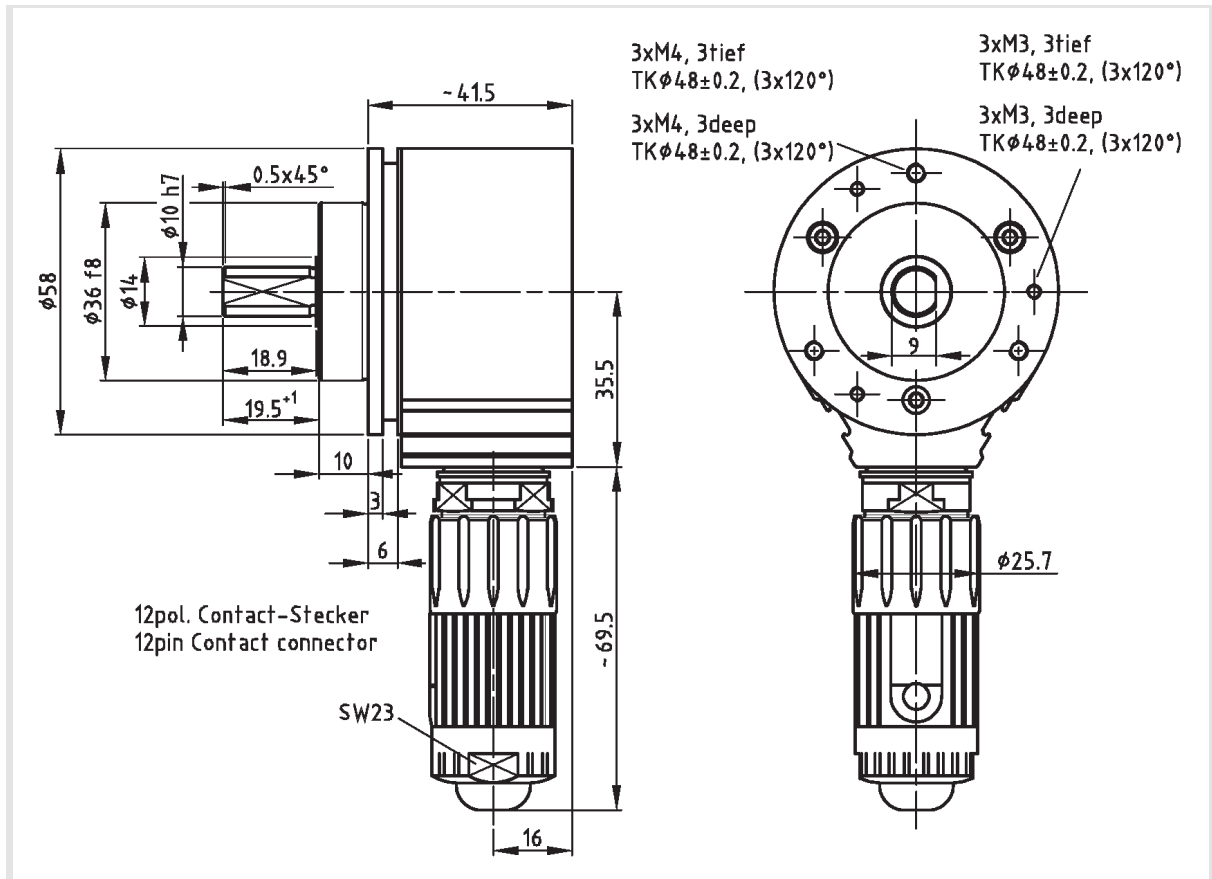
Vibration	
- Specific value	<= 100 m/s ²
- Sine	50...2000 Hz
Shock	
- Specific value	<= 1000 m/s ²
- Half sine	11 ms
Immunity to disturbance	DIN EN 61000-6-2
Transient emissions	DIN EN 61000-6-3
Working temperature	
- Standard	0...+60 °C
- Optional	-20...+70 °C;
Storage temperature, dry	-30...+80 °C
Relative humidity	98 %, non condensing
Protection class	
- Standard	IP65

Subject to change.

Absolute-Encoder CMV58 - SSI

Ref.: K-CMV58-SSI-1
 18.11.2013
 010102005801010201

Dimensional drawing



Suggested products

CMV58M*4096/4096 SSI 36ZB10FL
 Preset V/R Stecker 12 pol M23

CMV58M-00002

Subject to change.