

Absolute-Encoder CEH80 - ETC

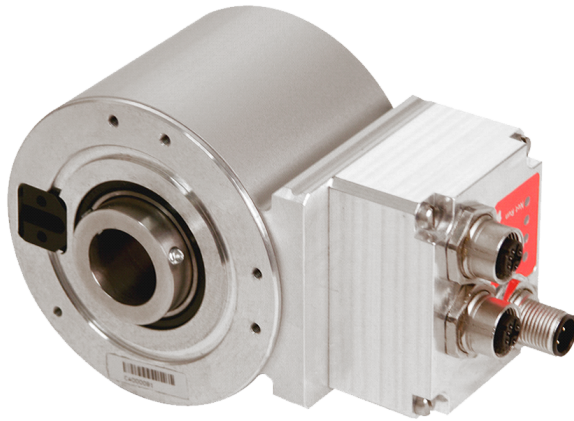
Ref.: K-CEH80-ETC-1

18.11.2013

010102008003030202

Advantages

- _ Customer-specific solutions
- _ Flexible programming



General Data

Supply	
- Supply voltage	11...27 VDC
Current consumption no load	<= 300 mA
Device design	
- Type	Single-/Multi-Turn
Total resolution	<= 33 Bit
Number of steps per revolution	<= 32768
Number of revolutions	<= 256000
Output capacity	<= 31 Bit
EtherCAT - Interface	
- EtherCAT	IEC 61158-1-6, IEC 61784-2
- Physical Layer	Fast Ethernet, ISO/IEC 8802-3
- Device profile	CoE, CiA DS-406
Transmission rate	
- Specific value	100 MBit/s
Cycle time	100 µs
Parameter/Function, changeable	Resolution
	Preset parameter
	Counting direction
Type of parametrization	programmable
Programming - Tool	Fieldbus-Device
Maximum Speed, mechanically	<= 3000 1/min

Subject to change.

TR-Electronic GmbH
 Eglshalde 6
 78647 Trossingen
 Tel. +49 (0) 7425 228-0
 info@tr-electronic.de
www.tr-electronic.de

Absolute-Encoder CEH80 - ETC

Ref.: K-CEH80-ETC-1

18.11.2013

010102008003030202

General Data continuation

Shaft load, axial/radial	Own mass
Bearing life time	$\geq 3.9E+10$ revolutions
Bearing life time - Parameter - Speed	3000 1/min
- Operating temperature	60 °C
Angular acceleration	$\leq 10E+4$ rad/s ²
Moment of inertia, typically	67E-6 kg m ²
Start-up torque, 20 °C	8 Ncm
Mass, typically	0.7 kg

Environmental conditions

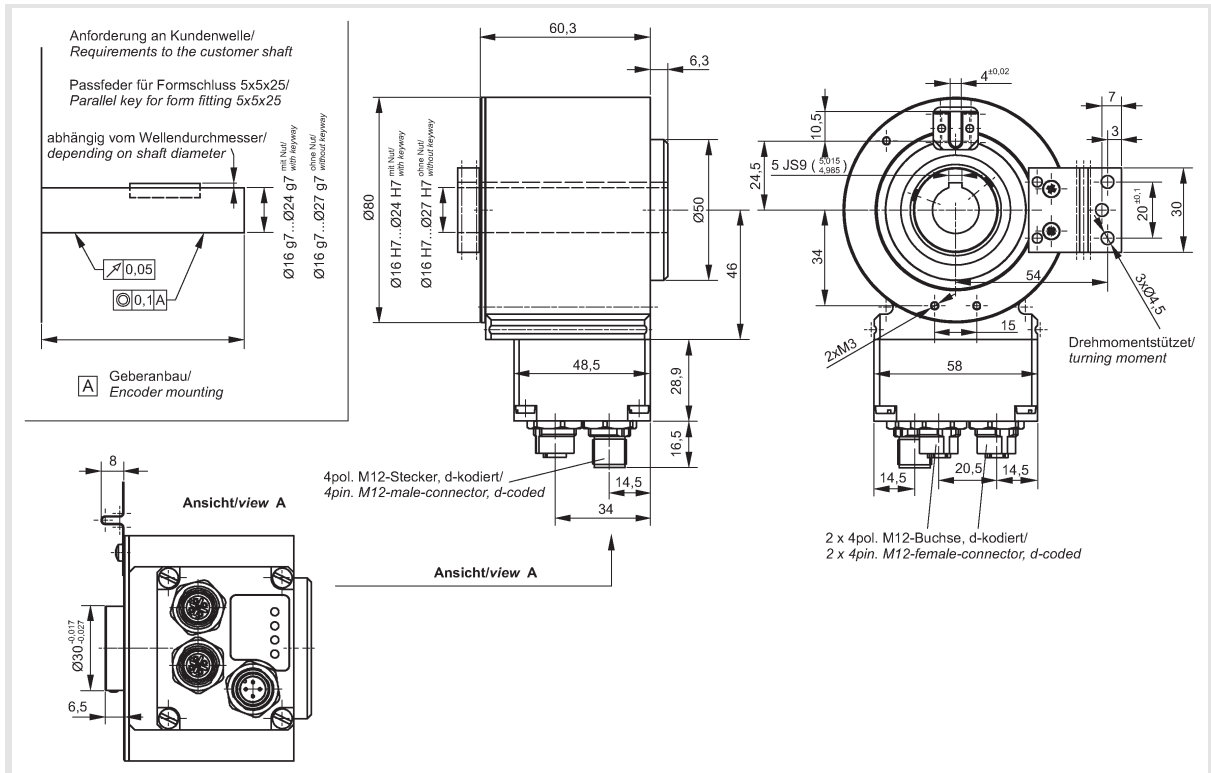
Vibration	
- Specific value	≤ 100 m/s ²
- Sine	50...2000 Hz
Shock	
- Specific value	≤ 1000 m/s ²
- Half sine	11 ms
Immunity to disturbance	DIN EN 61000-6-2
Transient emissions	DIN EN 61000-6-3
Working temperature	
- Standard	0...+60 °C
- Optional	-20...+70 °C;
Storage temperature, dry	-20...+85 °C
Relative humidity	98 %, non condensing
Protection class	
- Standard	IP54

Subject to change.

Absolute-Encoder CEH80 - ETC

Ref.: K-CEH80-ETC-1
 18.11.2013
 010102008003030202

Dimensional drawing



Subject to change.

TR-Electronic GmbH
 Eglshalde 6
 78647 Trossingen
 Tel. +49 (0) 7425 228-0
 info@tr-electronic.de
www.tr-electronic.de