

23FM25L



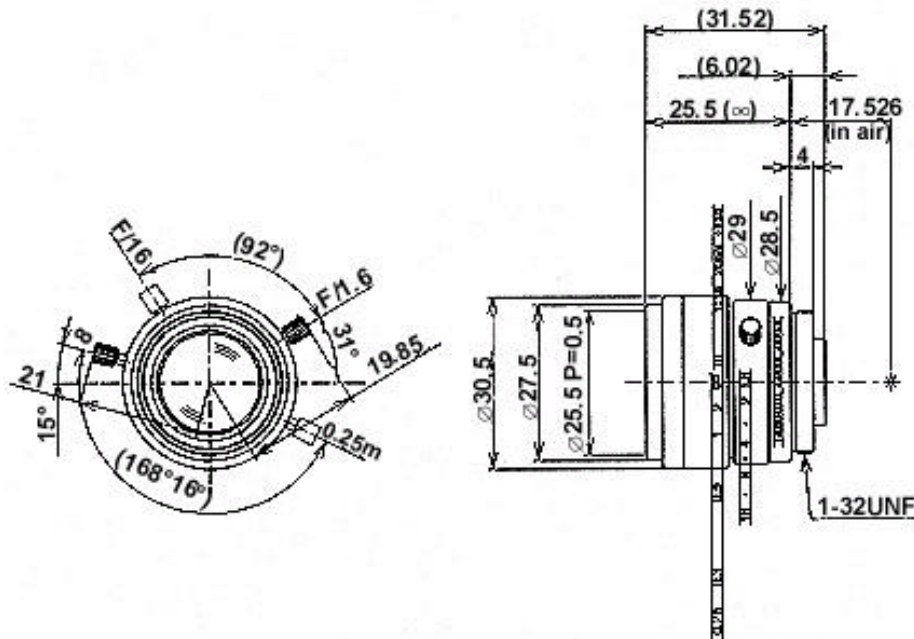
DVT PART NUMBER: LTC-25F

HI-RES MONOFOCAL

2/3" 25mm F/1.6



MANUAL SCREW



Specifications

| | |
|--------------------------------------|--------------------|
| Focal Length | 25mm |
| Iris Range | F/1.6 to 16 |
| Iris Operation | Manual w/lock |
| Focus Operation | Manual w/lock |
| 1/3" Angle of View | 11.0° x 8.2° |
| 1/2" Angle of View | 14.5° x 10.9° |
| 2/3" Angle of View | 19.6° x 15.0° |
| Effective Diameter (Front/Rear Lens) | Ø16.0mm/Ø10.8mm |
| Minimum Object Distance | 9.8 in. (0.25m) |
| Back Focus | 11.60mm (in air) |
| Filter Size | M25.5 P=0.5 |
| Maximum Diameter | ø1.2 in. (ø30.5mm) |
| Overall Length | 1.0 in. (25.5mm) |
| Weight | 1.4 oz. (40 grams) |

Lens Info