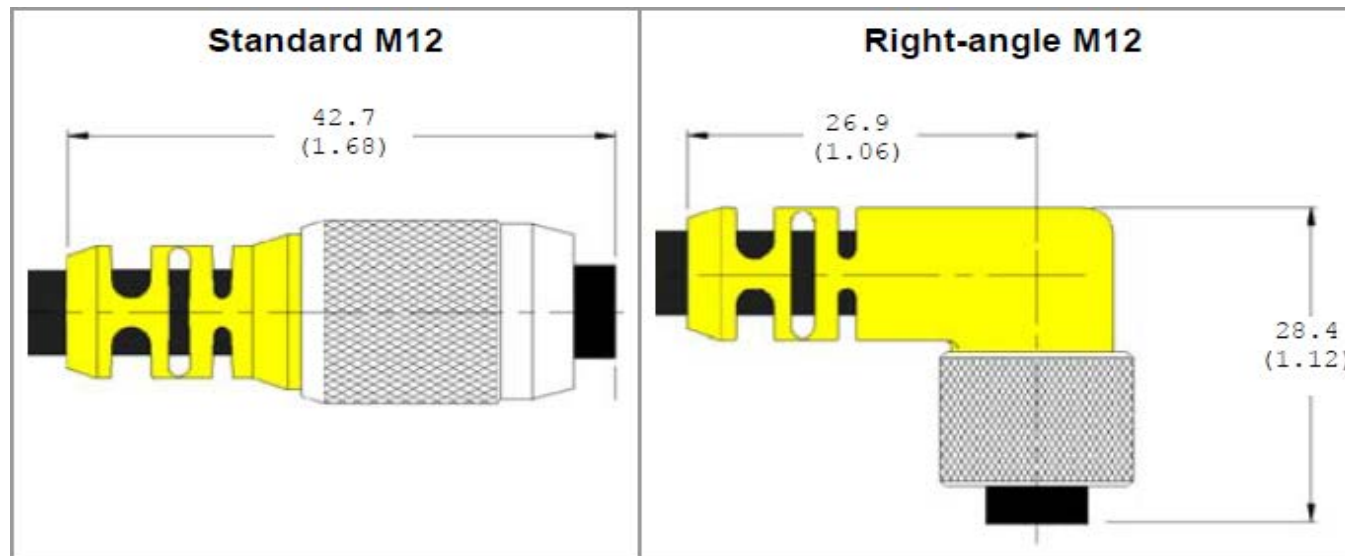


Cognex M12 to DB15 IO Cables			
	Standard M12 Connector (Straight)	Right-angle M12 Connector (45-deg key)	Right-angle M12 Connector (135-deg key)
Length	Part Number	Part Number	Part Number
2M (6 ft)	CCB-84901-0901-02	CCB-84901-4001-02	CCB-84901-5001-02
5M (15 ft)	CCB-84901-0902-05	CCB-84901-4002-05	CCB-84901-5002-05
10M (30 ft)	CCB-84901-0903-10	CCB-84901-4003-10	CCB-84901-5003-10
15M (50 ft)	CCB-84901-0904-15	CCB-84901-4004-15	CCB-84901-5004-15
All IO module cables are black, have M12-to-DB15 connectors, and are compatible with the 1400 IO Expansion Modules.			



- Color: Black
- Wire: Copper
- Insulation: Polypropylene
- Twisted: 4 pairs (twisted)
- Jacket: Polyvinylchloride (PVC)
- Flame retardant: -
- Silicon free: Yes
- Oil resistant: Yes
- Bend cycles: > 10 million cycles
- Bend radius: 7.5x max cable diameter
- Temp range: -25°C to 80°C
- Torsion: Min 30,000 flexes
+/- 180 degrees over 1 meter

