

Absolute-Encoder CDF36S - SSI

Ref.: K-CDF36-SSI-1

18.11.2013

010102003601010105

Advantages

- _ Customer-specific solutions
- _ Encapsulated electronics
- _ Further interfaces available
- _ High-pressure jet protected
- _ Redundant scanning system
- _ Very small construction



General Data

Supply	
- Supply voltage	11...27 VDC
Current consumption no load	<= 40 mA
Device design	
- Type	Single-Turn
- Redundant scanning system	yes, double
Total resolution	<= 12 Bit
Number of steps per revolution	<= 4096
Accuracy	$\pm 1,4^\circ$
SSI - Interface	
- SSI-Clock input	Optocoupler
- SSI-Data output	RS-485, 2-wire
- SSI-Clock frequency	80...1000 kHz
- SSI-Mono time, typically	20 μ s
Parameter/Function, changeable	Resolution
	Output code
	Number of data bits
	Adjustment - Parameter
	SSI-Output
	Counting direction
Type of parametrization	programmable

Subject to change.

TR-Electronic GmbH
 Eglshalde 6
 78647 Trossingen
 Tel. +49 (0) 7425 228-0
 info@tr-electronic.de
www.tr-electronic.de

Absolute-Encoder CDF36S - SSI

Ref.: K-CDF36-SSI-1

18.11.2013

010102003601010105

General Data continuation

Prgramming - Tool	TR-Soft: TRWinProg
External inputs - F/R	Count direction
- Preset	electronic adjustment
- Logic level	"0" < +2V, "1" = Supply
Concentricity tolerance	0,2 mm
Permissible axial tolerance	± 0,15 mm
Mass, typically	0.15 kg

Environmental conditions

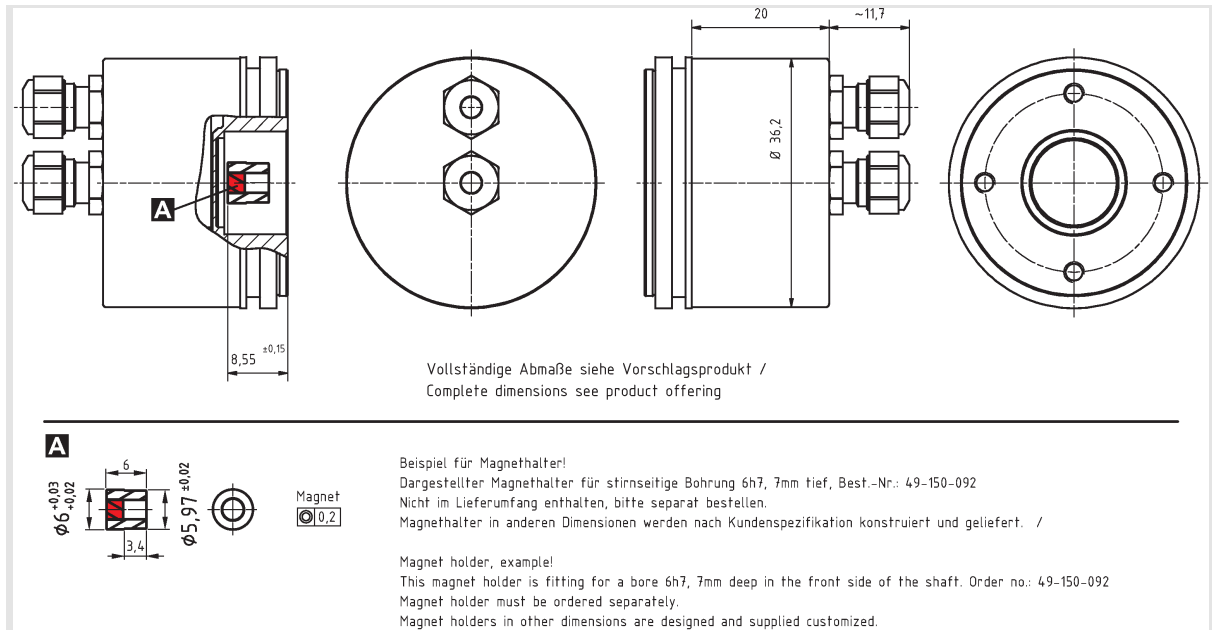
Vibration - Specific value	<= 100 m/s ²
- Sine	50...2000 Hz
Shock - Specific value	<= 1000 m/s ²
- Half sine	11 ms
Immunity to disturbance	DIN EN 61000-6-2
Transient emissions	DIN EN 61000-6-3
Working temperature - Standard	-20...+70 °C
Storage temperature, dry	-20...+85 °C
Relative humidity	98 %
Protection class - Standard	IP65
- Optional	IP69K

Subject to change.

Absolute-Encoder CDF36S - SSI

Ref.: K-CDF36-SSI-1
 18.11.2013
 010102003601010105

Dimensional drawing



Suggested products

CDF36S*4096/1 V999 2xSSI

CDF36S-00002

Subject to change.

TR-Electronic GmbH
 Eglishalde 6
 78647 Trossingen
 Tel. +49 (0) 7425 228-0
 info@tr-electronic.de
www.tr-electronic.de