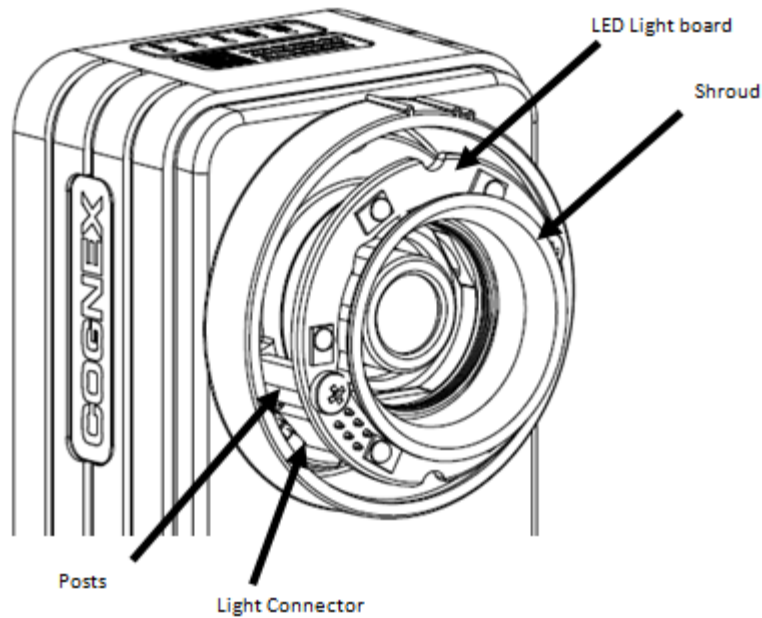


## Update Kit Specification

**Details:** Image Formation Enhancements.

The changes to the optical system include:

- Posts to provide an offset for the light ring
- New light with smoother edges to guide in the lens cover
- Light connector to connect the light to the board
- Light shroud

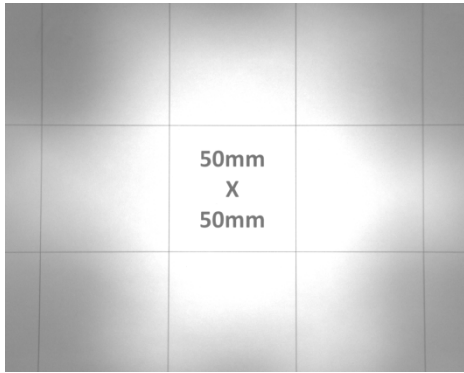


In-Sight 7000 with LED board  
installed directly on unit

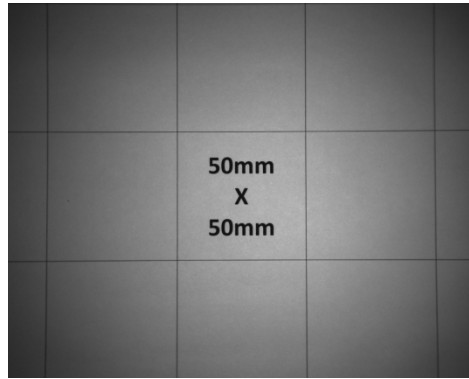


In-Sight 7000 with LED board  
installed on posts on unit

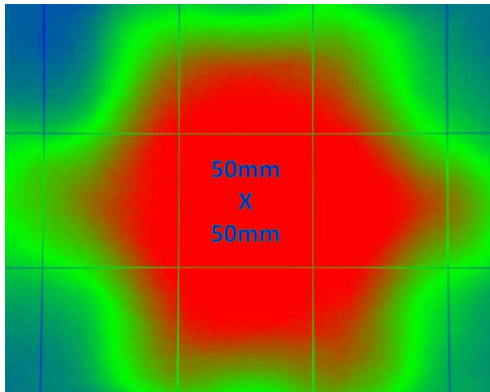
While the shroud and standoff posts for the ring light are necessary only with the 6mm and 8mm integrated units, the 12mm, 16mm, and 25mm lenses benefit from the light position and shroud as well. The integrated light is more diffuse in this position and removes/softens the hot spot ring often seen with high intensity ring lights and from reflections from lens covers (see images below). The position also provides easier access to swap out the lights for different applications.



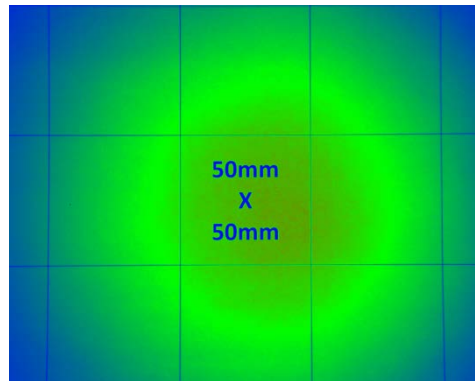
12mm lens without posts/shroud



12mm lens with posts/shroud



12mm lens without posts/shroud



12mm lens with posts/shroud