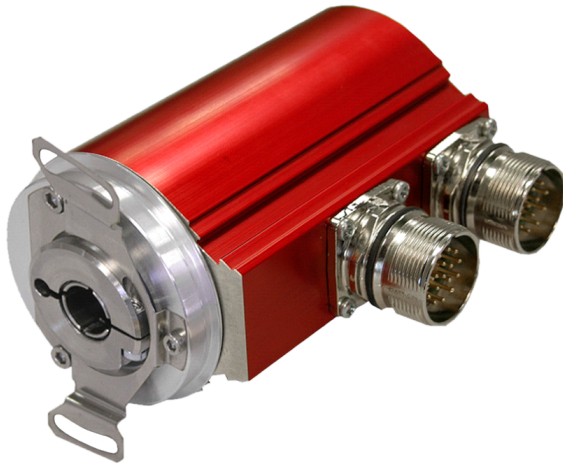


Absolute-Encoder CDS58 - M



Ref.: K-CDS58-M-1

18.11.2013

010102005804

Advantages

- Further interfaces available
- Modular mechanical design
- Modular product line
- Redundant scanning system

General Data

Supply	
- Supply voltage	11...27 VDC
- Multi feeding	dual
Current consumption no load	<= 700 mA
Device design	
- Type	Single-/Multi-Turn
- Redundant scanning system	yes, double
Number of steps per revolution	<= 8192
Number of revolutions	<= 256000
Interface - variants	
- System 1	System 2
- SSI	SSI, Incremental + progr.
- Incremental	Incremental + progr.
- Incremental, programmable	Incremental, progr.
- Position deviation system 1/2	<= ± 1
Parameter/Function, changeable	Resolution
Type of parametrization	programmable
Prgramming - Tool	TR-Soft: TRWinProg
Maximum Speed, mechanically	<= 6000 1/min
Shaft load, axial/radial	Own mass
Bearing life time	>= 3.9E+10 revolutions

Subject to change.

TR-Electronic GmbH
 Eglshalde 6
 78647 Trossingen
 Tel. +49 (0) 7425 228-0
 info@tr-electronic.de
www.tr-electronic.de

Absolute-Encoder CDS58 - M

Ref.: K-CDS58-M-1

18.11.2013

010102005804

General Data continuation

Bearing life time - Parameter - Speed	6000 1/min
- Operating temperature	60 °C
Angular acceleration	$\leq 10E+4 \text{ rad/s}^2$
Moment of inertia, typically	5E-6 kg m ²
Start-up torque, 20 °C	4 Ncm
Mass, typically	0.6 kg...1 kg

Environmental conditions

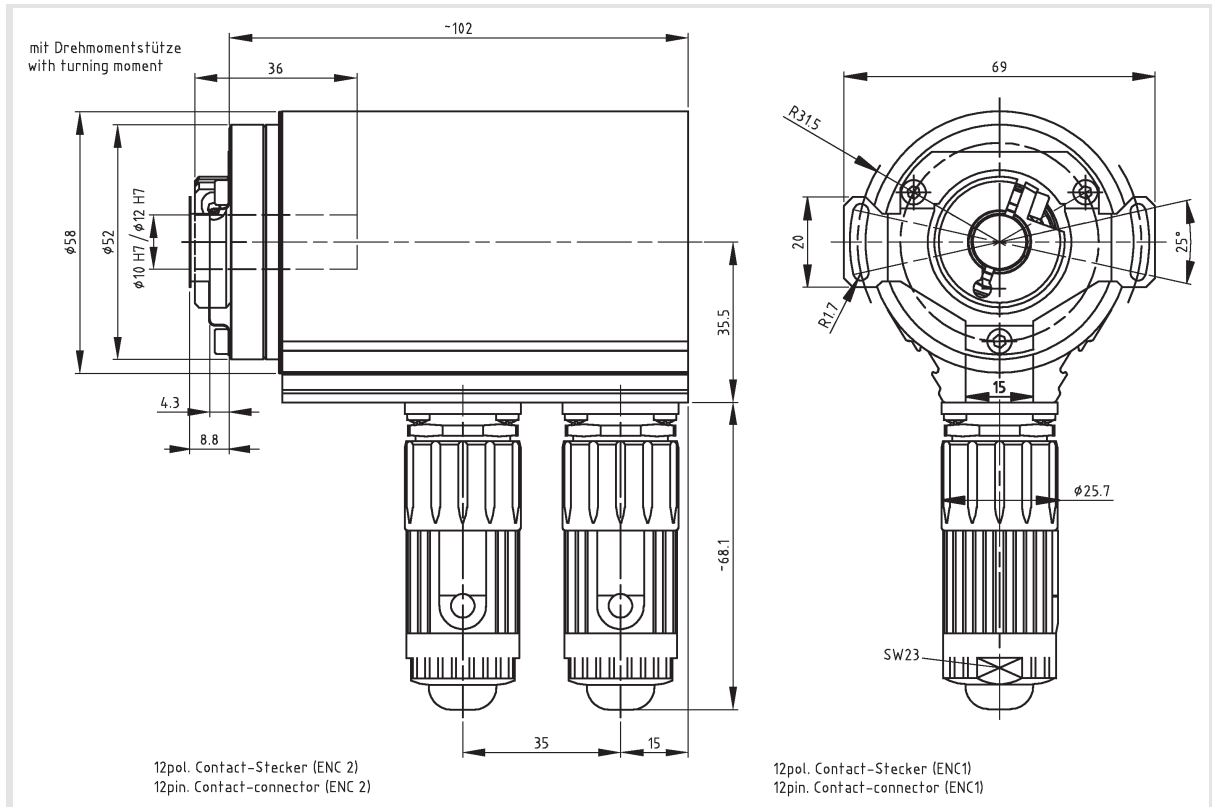
Vibration - Specific value	$\leq 100 \text{ m/s}^2$
- Sine	50...2000 Hz
Shock - Specific value	$\leq 1000 \text{ m/s}^2$
- Half sine	11 ms
Immunity to disturbance	DIN EN 61000-6-2
Transient emissions	DIN EN 61000-6-3
Working temperature - Standard	0...+60 °C
- Optional	-20...+70 °C;
Storage temperature, dry	-30...+80 °C
Relative humidity	98 %, non condensing
Protection class - Standard	IP65

Subject to change.

Absolute-Encoder CDS58 - M

Ref.: K-CDS58-M-1
 18.11.2013
 010102005804

Dimensional drawing



Subject to change.