

# Absolute-Encoder COH80 - SSI

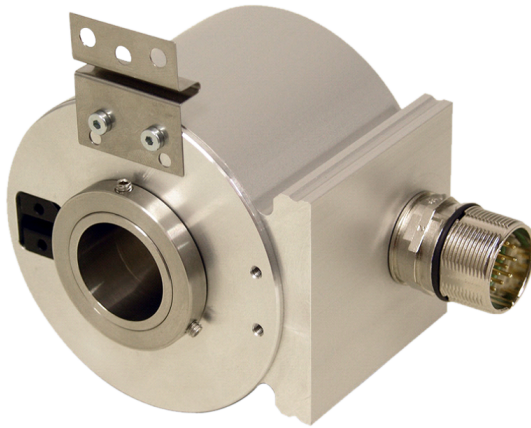
Ref.: K-COH80-SSI-1

18.11.2013

010102008003

## Advantages

- \_ Customer-specific solutions
- \_ Flexible programming
- \_ High resolution system



## General Data

Supply	
- Supply voltage	11...27 VDC
Current consumption no load	<= 100 mA
Device design	
- Type	Single-/Multi-Turn
Total resolution	<= 36 Bit
Number of steps per revolution	<= 262144
Number of revolutions	<= 256000
SSI - Interface	
- SSI-Clock input	Optocoupler
- SSI-Data output	RS-422, 2-wire
- SSI-Clock frequency	80...1000 kHz
- SSI-Mono time, typically	20 $\mu$ s
Incremental - Interface	
- Equipment	Optional interface
- Signal form	Square wave
- Signal form, alternative	SIN / COS
- Incremental signals, square	K1 $\pm$ K2 $\pm$ K0 $\pm$
- Incremental signals, SIN/COS	SIN $\pm$ COS $\pm$ , 1 V <sub>ss</sub>
- Impulses, square wave	<= 4096
- Impulses, SIN/COS	4096 $\square$
- Output driver, TTL	RS-422, 5 VDC

Subject to change.

TR-Electronic GmbH  
 Eglisshalde 6  
 78647 Trossingen  
 Tel. +49 (0) 7425 228-0  
 info@tr-electronic.de  
[www.tr-electronic.de](http://www.tr-electronic.de)

# Absolute-Encoder COH80 - SSI

Ref.: K-COH80-SSI-1  
18.11.2013  
010102008003

## General Data continuation

- Output driver, HTL	Push-Pull, 11...27 VDC
- Type of parametrization	programmable
Cycle time	0.250 µs, internal
Parameter/Function, changeable	Resolution
	Output code
	Output format
	Preset parameter
	Toggle bit
	Counting direction
Type of parametrization	programmable
Prgramming - Tool	TR-Soft: TRWinProg
External inputs	
- F/R	Count direction
- Preset	electronic adjustment
- Logic level	"0" < +2V, "1" = Supply
Maximum Speed, mechanically	<= 3000 1/min
Shaft load, axial/radial	Own mass
Bearing life time	>= 3.9E+10 revolutions
Bearing life time - Parameter	
- Speed	3000 1/min
- Operating temperature	60 °C
Angular acceleration	<= 10E+4 rad/s <sup>2</sup>
Moment of inertia, typically	67E-6 kg m <sup>2</sup>
Start-up torque, 20 °C	8 Ncm
Mass, typically	0.7 kg

## Environmental conditions

Vibration	
- Specific value	<= 100 m/s <sup>2</sup>
- Sine	50...2000 Hz
Shock	
- Specific value	<= 1000 m/s <sup>2</sup>
- Half sine	11 ms
Immunity to disturbance	DIN EN 61000-6-2
Transient emissions	DIN EN 61000-6-3

Subject to change.

## Absolute-Encoder COH80 - SSI

Ref.: K-COH80-SSI-1

18.11.2013

010102008003

### Environmental conditions continuation

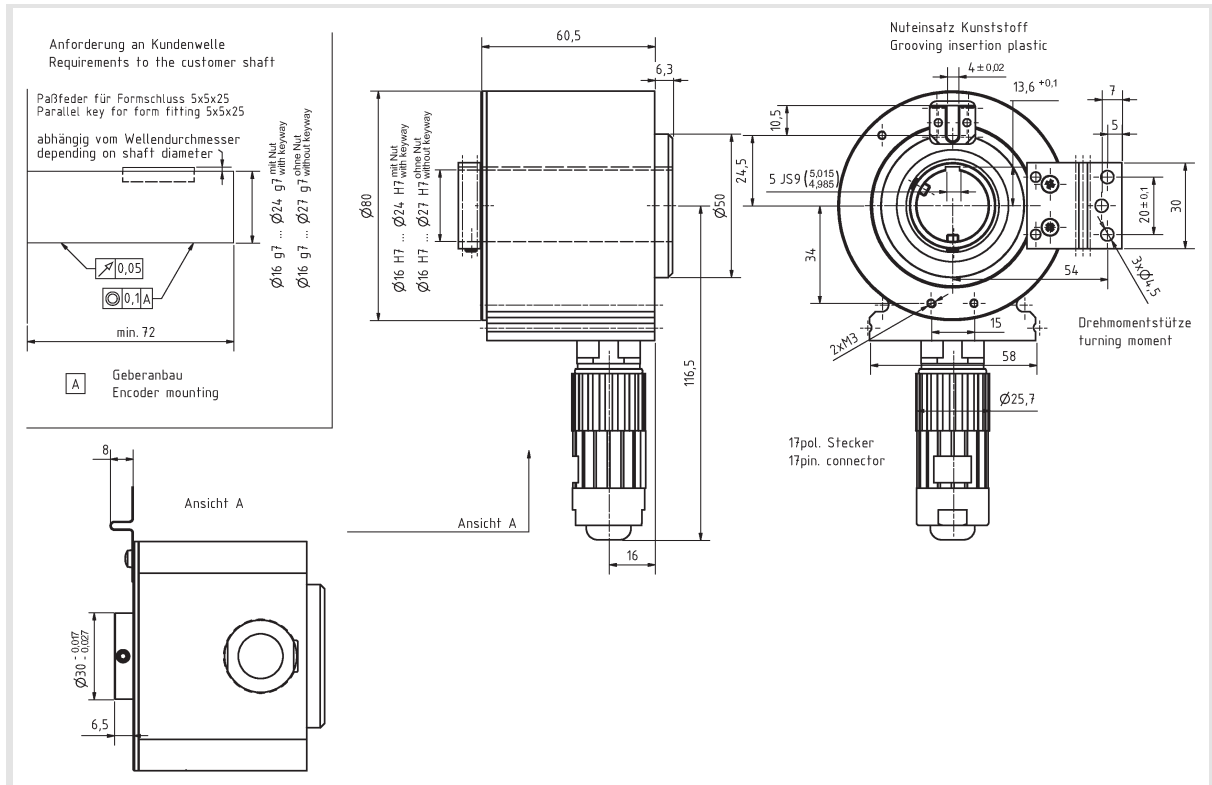
Working temperature	
- Standard	0...+60 °C
- Optional	-20...+70 °C;
Storage temperature, dry	-20...+85 °C
Relative humidity	98 %, non condensing
Protection class	
- Standard	IP54

Subject to change.

# Absolute-Encoder COH80 - SSI

Ref.: K-COH80-SSI-1  
 18.11.2013  
 010102008003

## Dimensional drawing



Subject to change.

TR-Electronic GmbH  
 Eglisshalde 6  
 78647 Trossingen  
 Tel. +49 (0) 7425 228-0  
 info@tr-electronic.de  
[www.tr-electronic.de](http://www.tr-electronic.de)