

# Absolute-Encoder CEK58 - CO



Ref.: K-CEK58-CO-1

18.11.2013

010102005802020204

## Advantages

- \_ Customer-specific solutions
- \_ Flexible programming
- \_ Further interfaces available
- \_ Modular mechanical design
- \_ Modular product line
- \_ Short lead times

## General Data

Supply	
- Supply voltage	11...27 VDC
Current consumption no load	<= 150 mA
Device design	
- Type	Single-/Multi-Turn
Total resolution	<= 33 Bit
Number of steps per revolution	<= 32768
Number of revolutions	<= 256000
Output capacity	<= 32 Bit
CANopen - Interface	
- CANopen	EN 50325-4
- Bus connection	ISO 11898-1, ISO 11898-2
- CAN Specification 2.0 A	11-Bit Identifier
- Device-Profile for Encoder	CiA DS406
- Layer Setting Services, LSS	CiA DS305
Incremental - Interface	
- Equipment	Optional interface
- Impulses, square wave	32...8192, power of two's
- Output driver, TTL	RS-422, 5 VDC
- Output driver, HTL	Push-Pull, 11...27 VDC
Parameter/Function, changeable	Resolution
	Download, EDS file

Subject to change.

TR-Electronic GmbH  
 Eglisshalde 6  
 78647 Trossingen  
 Tel. +49 (0) 7425 228-0  
 info@tr-electronic.de  
[www.tr-electronic.de](http://www.tr-electronic.de)

## Absolute-Encoder CEK58 - CO

Ref.: K-CEK58-CO-1

18.11.2013

010102005802020204

### General Data continuation

	Firmware update
	Node-ID
	Preset parameter
	Transmission rate
	Counting direction
Type of parametrization	programmable
Prgramming - Tool	Fieldbus-Device
Maximum Speed, mechanically	$\leq 12000$ 1/min
Shaft load, axial/radial	radial coupling forces
Bearing life time	$\geq 3.9E+10$ revolutions
Bearing life time - Parameter - Speed	6000 1/min
- Operating temperature	60 °C
Angular acceleration	$\leq 10E+4$ rad/s <sup>2</sup>
Moment of inertia, typically	2.5E-6 kg m <sup>2</sup>
Start-up torque, 20 °C	2 Ncm
Mass, typically	0.3...0.5 kg
Optional Parallel Outputs - Cam tracks	8 tracks
- Functions	High-/Low-Limit, hysteresis

### Environmental conditions

Vibration - Specific value	$\leq 100$ m/s <sup>2</sup>
- Sine	50...2000 Hz
Shock - Specific value	$\leq 1000$ m/s <sup>2</sup>
- Half sine	11 ms
Immunity to disturbance	DIN EN 61000-6-2
Transient emissions	DIN EN 61000-6-3
Working temperature - Standard	0...+60 °C
- Optional	-20...+70 °C;
Storage temperature, dry	-30...+80 °C
Relative humidity	98 %, non condensing
Protection class - Standard	IP65

Subject to change.

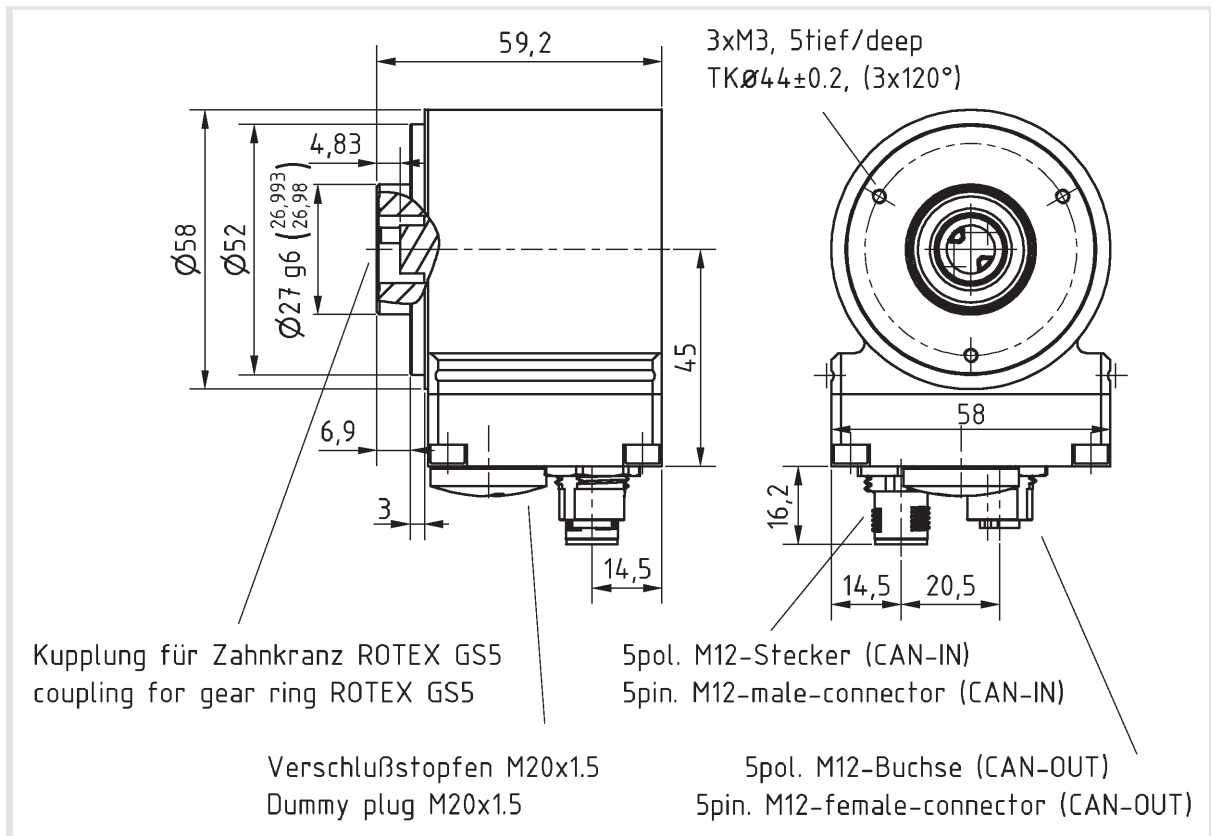
# Absolute-Encoder CEK58 - CO

Ref.: K-CEK58-CO-1

18.11.2013

010102005802020204

## Dimensional drawing



Subject to change.