

## FMC-B / FMC-BR COLUMN FOR ADMIRAL/VISION/JANUS LIGHT CURTAINS

### GENERAL

These mounting instructions contain information about:

- The correct mounting of the light curtains **ADMIRAL**, **VISION** and **JANUS** inside the **FMC** or **FMC-BR** columns.
- The assembly of the **FMC** or **FMC-BR** stand for mounting on the **FMC-CB/FMC-CBL** stand bottom.
- The correct mounting of emitters and receives (with our without mirror).
- Please find detailed information about the function of the light curtains / light grids in the relevant mounting and wiring instructions.

### MOUNTING ON THE FMC-CB/FMC-CBL STAND BOTTOM (Fig. 1)

- Mount the **FMC-CB/FMC-CBL** stand bottom on the floor (see mounting instruction for stand bottom).

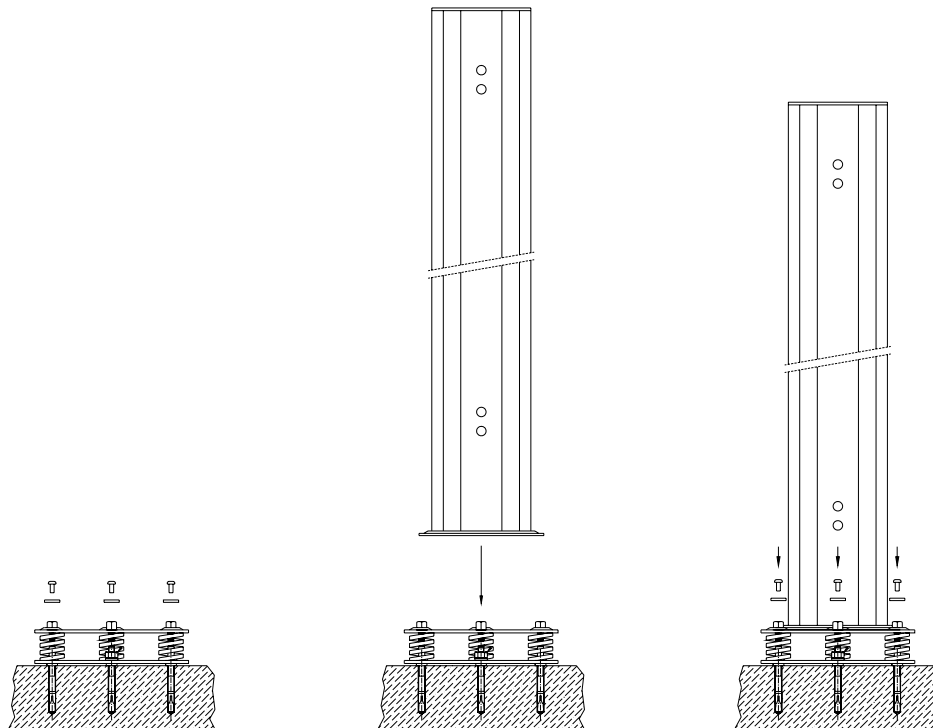
*Please note:*

*For a correct alignment, please verify that the stand bottom upper surface is even and horizontal (using a circular spirit level.)*

*To operate the regulation, act on the three hexagonal nuts B (fig.4) until the perfect levelness is reached. (Maximum adjustment: 10mm).*

*If the ground roughness is over 10mm, flush it adequately.*

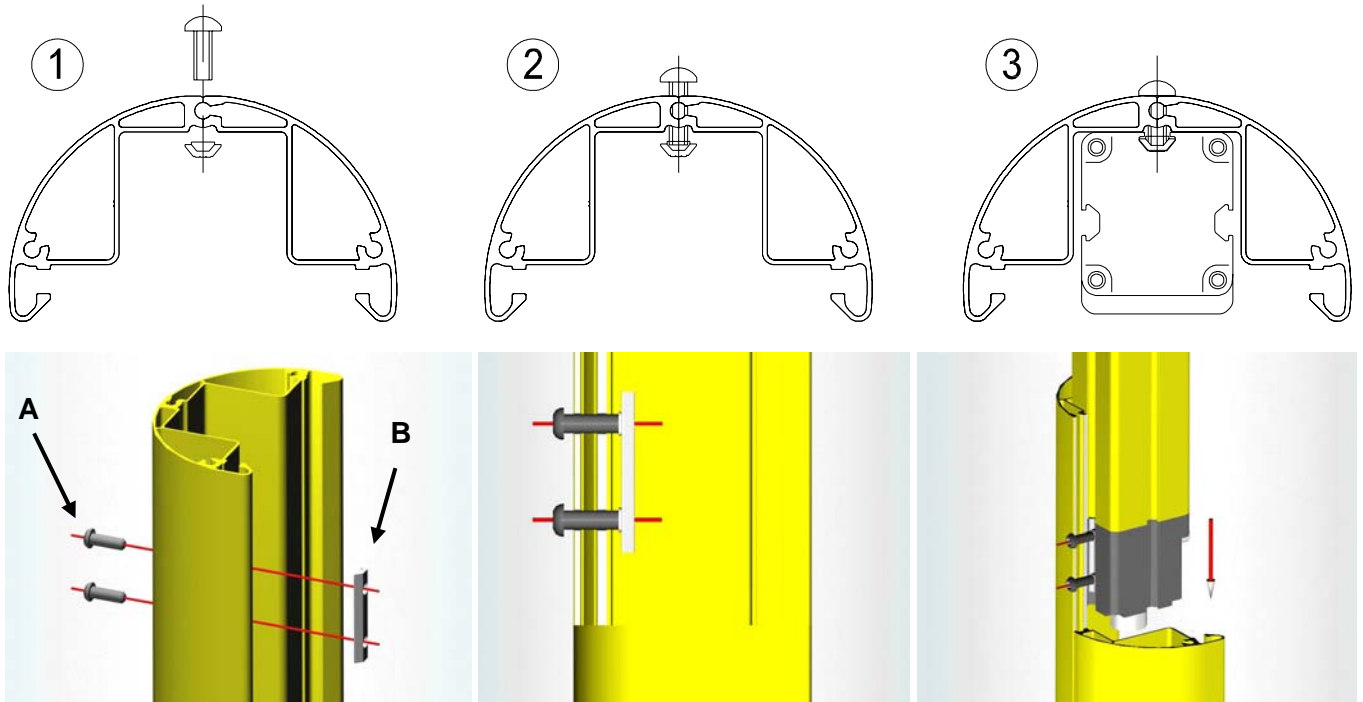
- Loosen the three allen screws and remove the washers.
- Assembly the column to the stand bottom, centering the FMC-B column rotation flange with the guides of the **FMC-CB/FMC-CBL** stand bottom upper plate.
- Fix the column tightening the three allen screws and the washers.



**Figure 1**

**MOUNTING OF ADMIRAL/VISION/JANUS LIGHT CURTAINS**

- Remove the cover (with spirit level) from the top of the column;
- Insert the allen screws (A) in the holes of the column **fig.2 step 1**;
- Turn the allen screws once to the tapped metal plates (B) **fig.2 step 2**;
- Insert the barrier from the top into the column, (make sure that all the tapped metal plates slide in the slot on the back of the barrier, **fig.2 step 3**);
- When correct position achieved, (**see table 1**) lock the allen screws to fix the barrier.
- Fix the cover on the top of the column.

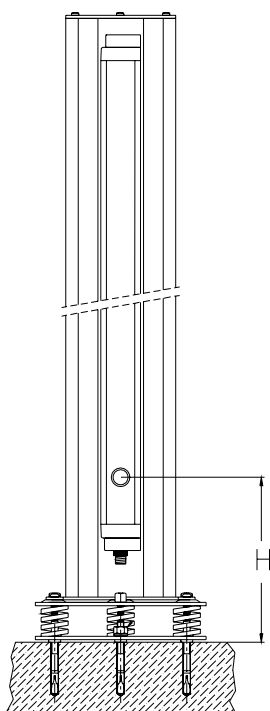


**Figure 2**

- You will find the exact position of the barrier in the table below (distance between the first light beam (red LED) and the ground) (according to EN999).

MODEL	Distance between the first light beam (red LED) and the ground [mm]
FMC-B2	≤ 400
FMC-B550 FMC-B3 FMC-B4 FMC-B1700 FMC-B2000	≤ 300

**Table 1**



**Figure 3**

## ALIGNMENT OF EMITTER AND RECEIVER (Fig. 4)

- The last operation you have to perform is the emitter / receiver alignment.
- Ensure that the stands of emitter and receiver are in a vertical position (placing a spirit level **(A)** on the top end of each stand).
- Perform leveling fine adjustments by means of the hexagonal nuts of the stand bottom **(B)**.
- Connect the light curtain / the light grid. (ref. Curtain technical manual).
- For an exact alignment of emitter and receiver, loosen the three allen screws **(C)** that fix the rotation flange and rotate the two columns until the barrier signal LEDS light on (ref. Technical manual).

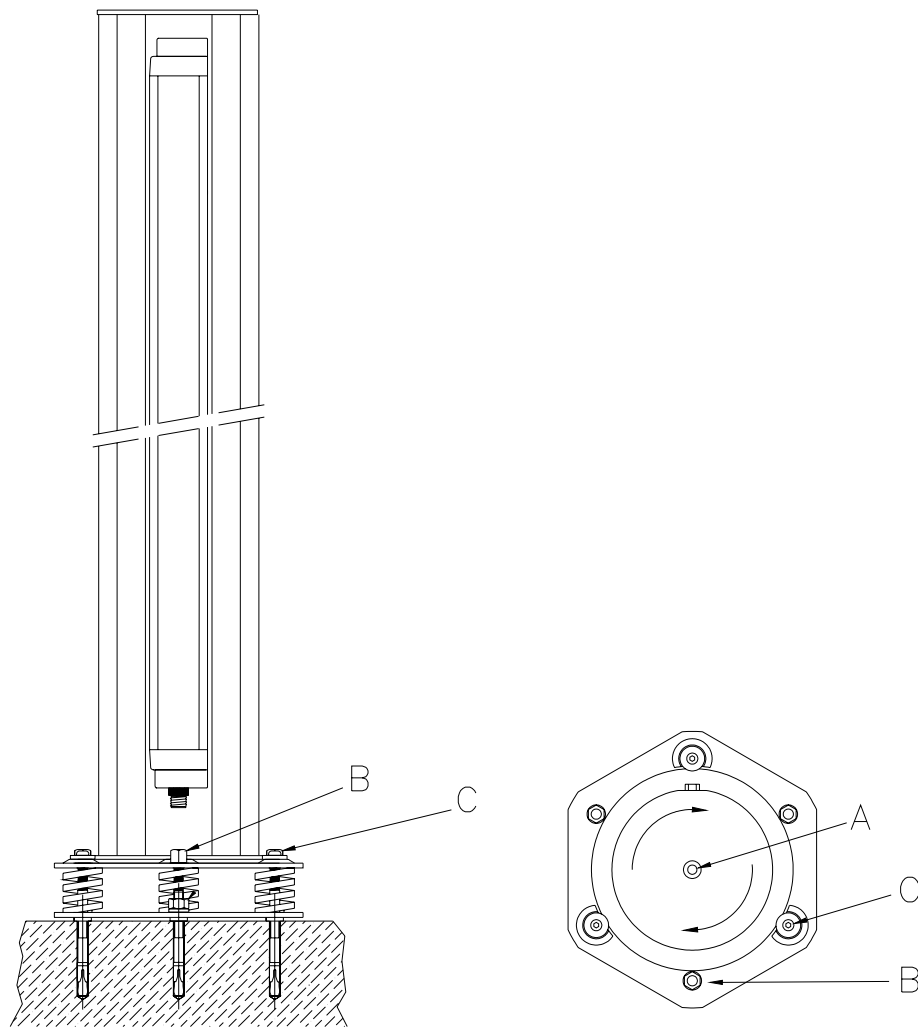
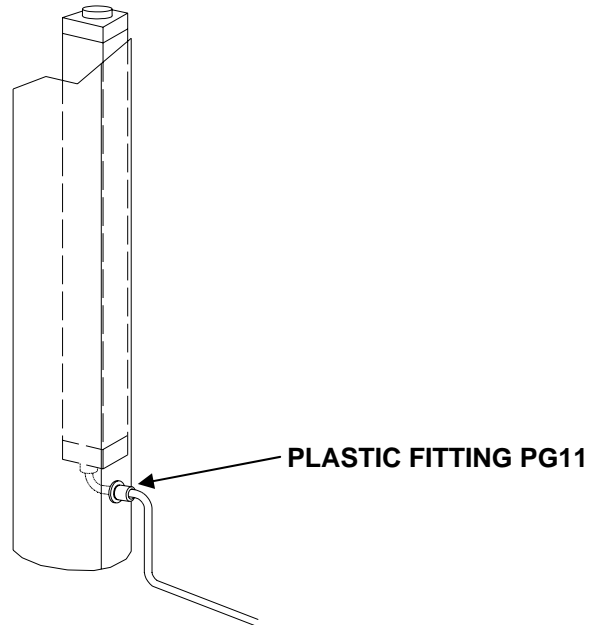


Figure 4

**FITTING FOR CABLE (COLUMN FMC-BR) (Fig. 5)**

- Insert the cable (terminating with the female connector) in the PG11 plastic fitting, housed in the column (figure 5).

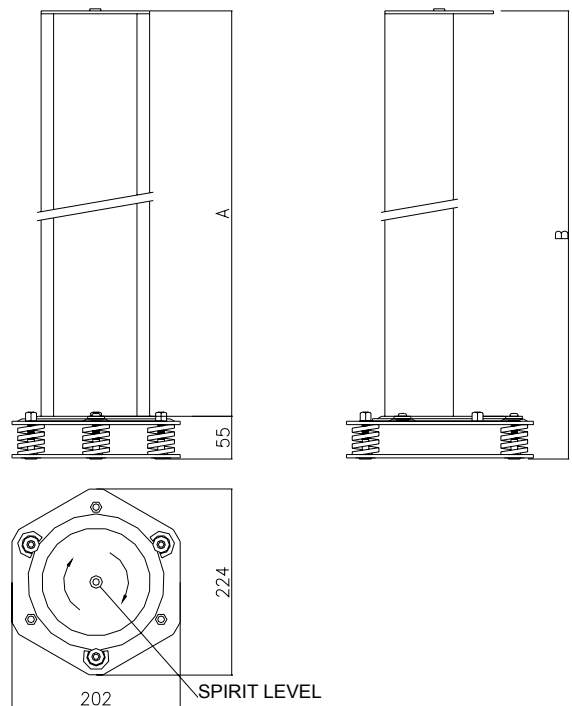


**Figure 5**

**DIMENSIONS**

MODEL	<i>FMC-B2</i>	<i>FMC-B3</i>	<i>FMC-B4</i>
	<i>FMC-B2R</i>	<i>FMC-B3R</i>	<i>FMC-B4R</i>
<i>DIMENSION 'A' (mm)</i>	1000	1200	1330
<i>DIMENSION 'B' (mm)</i>	1055	1255	1385

MODEL	<i>FMC-B550</i>	<i>FMC-B1700</i>	<i>FMC-B2000</i>
	<i>FMC-B550R</i>	<i>FMC-B1700R</i>	<i>FMC-B2000R</i>
<i>DIMENSION 'A' (mm)</i>	550	1700	1970
<i>DIMENSION 'B' (mm)</i>	605	1755	2025



**Figure 6**