

Linear-Transducer LA46 (H) - EPL

Ref.: K-LA46-EPL-1

18.11.2013

0102010050

Advantages

- Customer-specific solutions
- Flexible programming
- Further interfaces available
- Measures linear movements
- Option: Exchangeable sensor
- Perfect fit for cylinders
- Position value - Adjustment
- Pressure proof tube housing
- Wear-free detection



General Data

Supply	
- Supply voltage	24 VDC, -20...+10 %
Current consumption no load	<= 250 mA
Measuring principle	magnetostrictive
Measuring length, standard	50...2000 mm, in steps
Resolution	0.001 mm
Linearity deviation	± 0.10 mm <= 1500 mm ± 0.15 mm > 1500 mm
Reproducibility	0.005 mm
Hysteresis	0.02 mm <= 1500 mm 0.1 mm > 1500 mm
Temperature coefficient	< 8 µm/°C <= 500 mm < 15 ppm/°C > 500 mm
Straight line velocity	no restrictions
Mounting position	no restrictions
Material - Measuring body	Cr/Ni - alloy
Rod end mounting	Option
Magnet	T4-M33 other on request
POWERLINK - Interface	
- POWERLINK	IEC 61784-2, IEC 61158 ff

Subject to change.

TR-Electronic GmbH
 Eglisshalde 6
 78647 Trossingen
 Tel. +49 (0) 7425 228-0
 info@tr-electronic.de
www.tr-electronic.de

Linear-Transducer LA46 (H) - EPL

Ref.: K-LA46-EPL-1

18.11.2013

0102010050

General Data continuation

- Physical Layer	Fast Ethernet, ISO/IEC 8802-3
- Device profile	CoE, CiA DS-406
Transmission rate	
- Specific value	100 MBit/s
Cycle time	>= 400 µs
Parameter/Function, changeable	Resolution
	Interpolation
	Preset parameter
	Position averaging
	Counting direction
	Velocity parameter
Type of parametrization	programmable
Prgramming - Tool	Fieldbus-Device
	TR-Soft: TRWinProg
Cycle time internal, <= 0.50 m	0.50 ms
Cycle time internal, <= 1.00 m	1.00 ms
Cycle time internal, <= 2.00 m	1.50 ms
Optional Magnets	
- Number of magnets	3
- Magnet - Minimum distance	80 mm

Environmental conditions

Vibration	
- Specific value	<= 100 m/s ²
- Sine	50...2000 Hz
Shock	
- Specific value	<= 1000 m/s ²
- Half sine	11 ms
Immunity to disturbance	DIN EN 61000-6-2
Transient emissions	DIN EN 61000-6-3
Working temperature	
- Standard	0...+70 °C
- Optional	-20...+70 °C;
Storage temperature, dry	-30...+85 °C
Relative humidity	98 %, non condensing
Protection class	
- Standard	IP65

Subject to change.

Linear-Transducer LA46 (H) - EPL

Ref.: K-LA46-EPL-1
18.11.2013
0102010050

Environmental conditions continuation

Stray magnetic field	< 3 mT
Measuring reference	Measuring plane
Pressure resistance - Optional	600 bar, static

Subject to change.

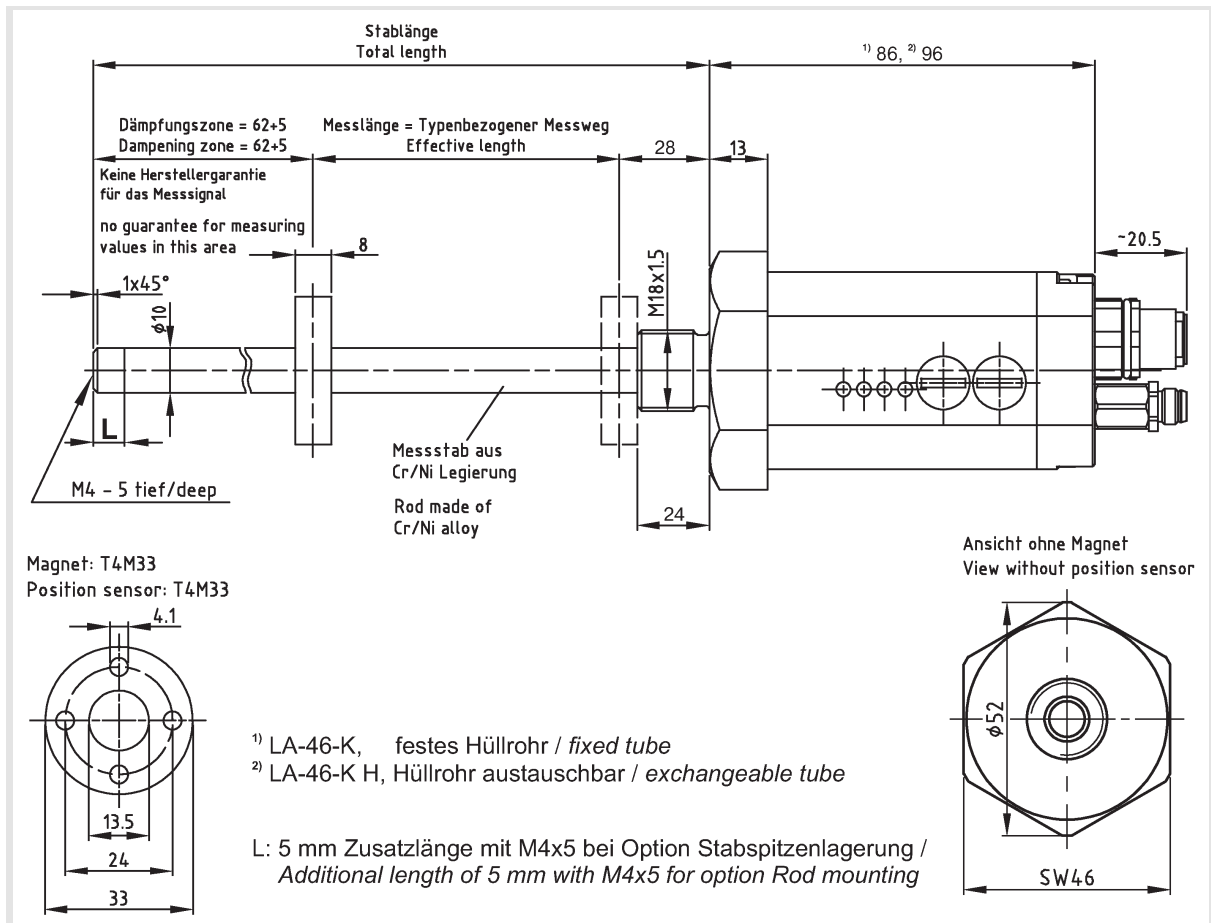
Linear-Transducer LA46 (H) - EPL

Ref.: K-LA46-EPL-1

18.11.2013

0102010050

Dimensional drawing



Subject to change.