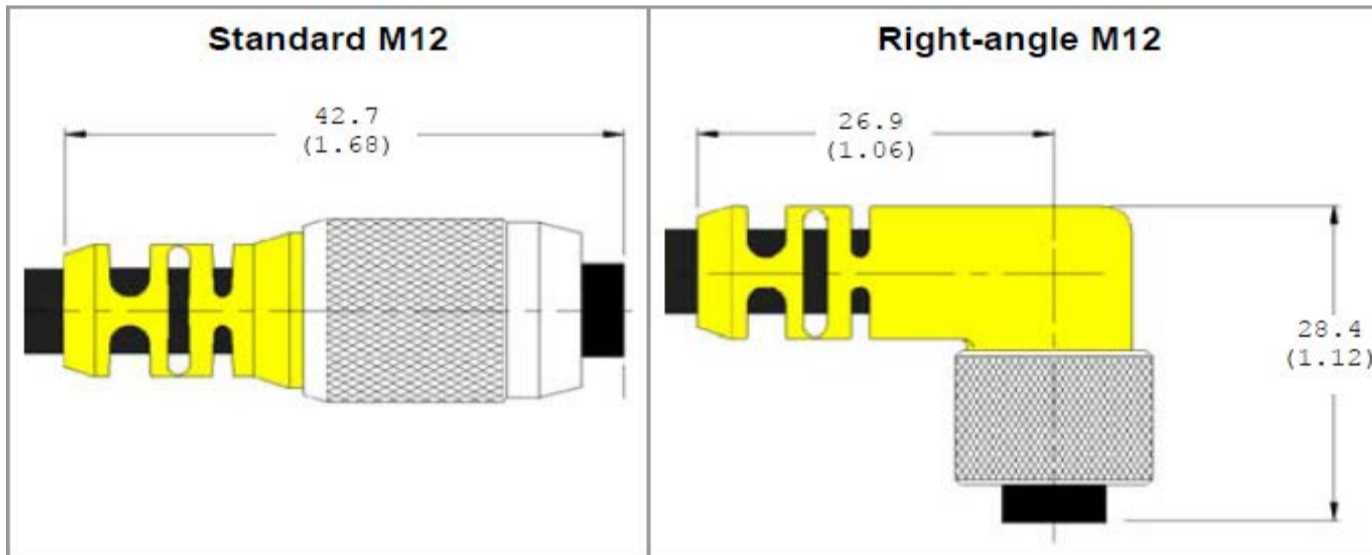


Cognex M12 to Flying Lead Power and IO Breakout Cables			
	Standard M12 Connector (Straight)	Right-angle M12 Connector (45-deg key)	Right-angle M12 Connector (135-deg key)
Length	Part Number	Part Number	Part Number
2M (6 ft)	CCB-84901-0101-02	CCB-84901-0401-02	CCB-84901-0501-02
5M (15 ft)	CCB-84901-0102-05	CCB-84901-0402-05	CCB-84901-0502-05
10M (30 ft)	CCB-84901-0103-10	CCB-84901-0403-10	CCB-84901-0503-10
15M (50 ft)	CCB-84901-0104-15	CCB-84901-0404-15	CCB-84901-0504-15
All Power and I/O cables are black, have M12 connectors on one end and flying leads on the other, and are compatible with In-Sight 3400 and 5000 series vision sensors.			



- Color: Black
- Wire: Copper
- Insulation: Polypropylene
- Twisted: 4 pairs (twisted)
- Jacket: Polyvinylchloride (PVC)
- Flame retardant: -
- Silicon free: Yes
- Oil resistant: Yes
- Bend cycles: > 10 million cycles
- Bend radius: 7.5x max cable diameter
- Temp range: -25°C to 80°C
- Torsion: Min 30,000 flexes
+/- 180 degrees over 1 meter