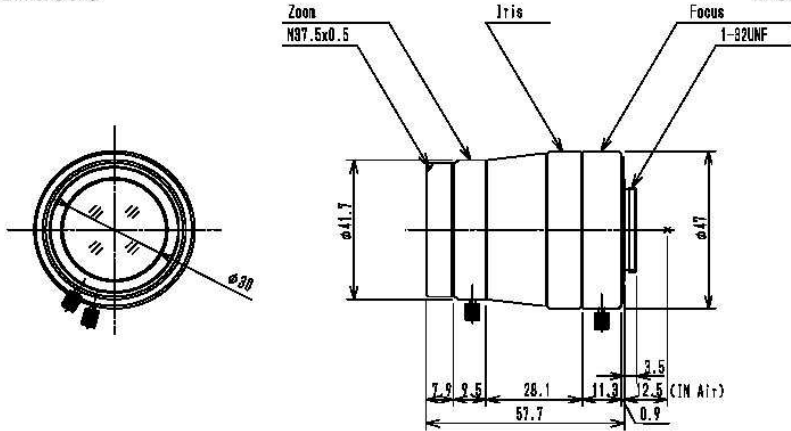


T10Z0513CS
VARI FOCAL 10X 5~50mm F1.3
for 1/3"format cameras
CS-Mount

Model No.		T10Z0513CS		Effective	Front	φ29.5mm	1/3
Focal Length		5 ~ 50mm		Lens Aperture	Rear	φ 8.7mm	
Max. Aperture Ratio		1 : 1.3		Back Focal	Tele	10.6mm	
Max. Image Format		4.8 x 3.6mm (φ6mm)		Length	Wide	10.5mm	
Operation Range	Iris	F1.3 ~ C		Flange Back Length	12.5mm		CS
	Focus	0.8m ~ Inf.		Mount	CS-Mount		
	Zoom	5 ~ 50 mm		Filter Size	M37.5 P=0.5mm		
Control	Iris	Manual		Dimensions	φ47 x 57.7mm		
	Focus	Manual		Weight	150g		
	Zoom	Manual					
Object Dimension at M.O.D.	5 mm	77.7 × 57cm					
	50 mm	7.8 × 6.0cm					
Angle of View	D	64~6.9°		1/4"	48.8~5.3°		
	H	1/3"	51.8~5.6°	1/4"	39.2~4.3°		
	V		39.2~4.3°		29.5~3.2°		
Operating Temperature		-20 ~ +50°C					

Dimensions

M.O.D. : Minimum Object Distance



Z

SP