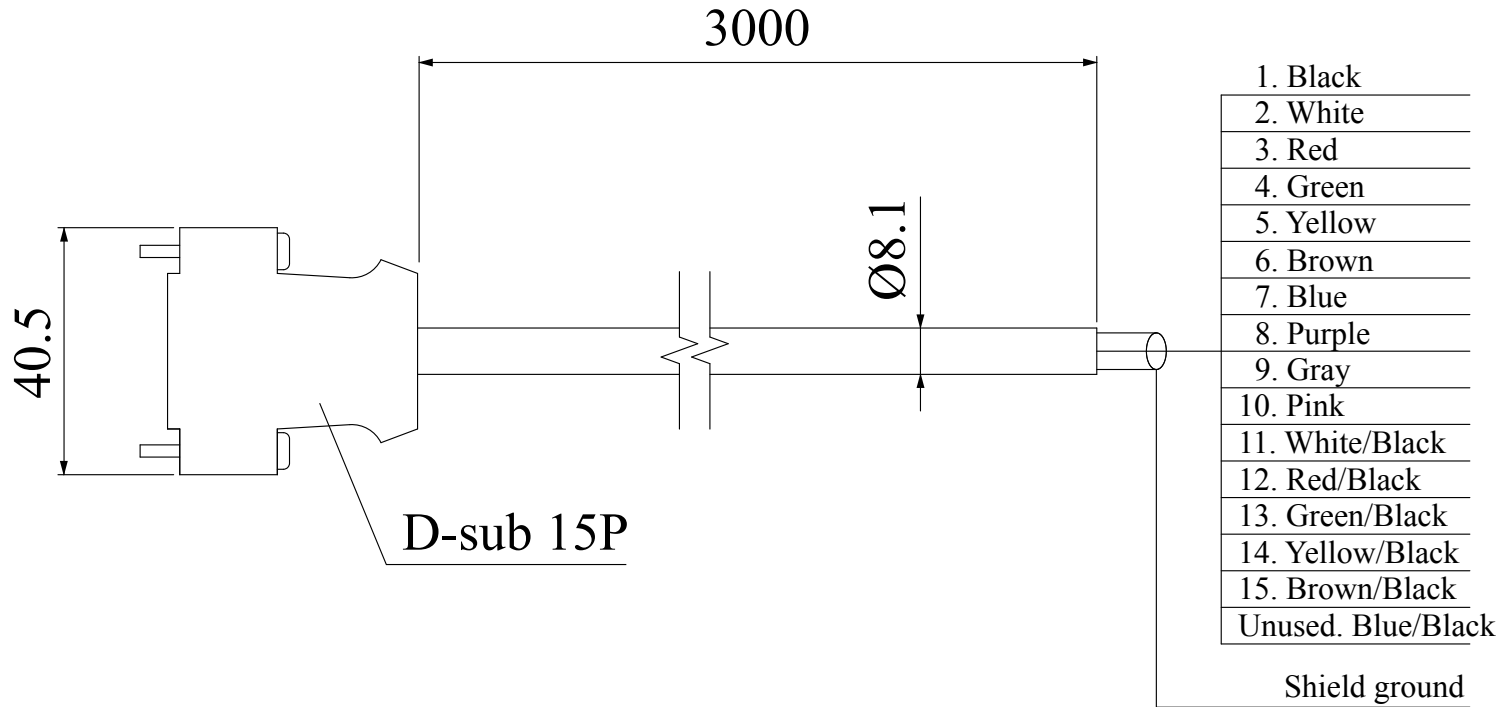


# EXCB2-B3

Third Angle Projection Units: mm

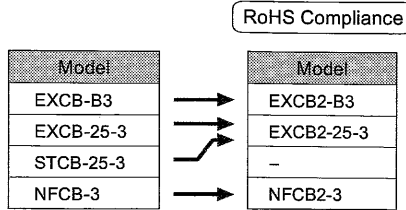


# Optional Cable List

\*\*\*\*\* Read this guide before using the product. \*\*\*\*\*

Thank you for purchasing a CCS product. To properly use the product, please read this guide before use and store it handy for your future reference.

## ● Status of RoHS Compliance for Optional Cables



-1-

## ◆ EXCB2-25-3

### ■ Specifications

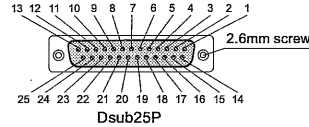
No.	Cable color	Line color	No.	Cable color	Line color	No.	Cable color	Line color	No.	Cable color	Line color
1	Black	-	9	Gray	-	17	Purple	Black	25	Brown	White
2	White	-	10	Pink	-	18	Gray	Black	26 <sup>*1</sup>	Blue	White
3	Red	-	11 <sup>*1</sup>	White	Black	19	Pink	Black	27 <sup>*2</sup>	Purple	White
4	Green	-	12 <sup>*1</sup>	Red	Black	20	Blight green	Black	28 <sup>*2</sup>	Gray	White
5	Yellow	-	13 <sup>*1</sup>	Green	Black	21	Black	White	29 <sup>*3</sup>	Pink	White
6	Brown	-	14	Yellow	Black	22	Red	White	30 <sup>*3</sup>	Blight green	White
7 <sup>*1</sup>	Blue	-	15	Brown	Black	23 <sup>*2</sup>	Green	White			
8	Purple	-	16	Blue	Black	24 <sup>*1</sup>	Yellow	White			

\*1 Not connected: PTU series, PTU2 series  
\*2 Not connected: PTU series  
\*3 Not connected: The following whole series

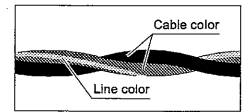
### ■ Applicable Power Supply

Model
PD(4,8CH) series, PD2(4,8CH) series, PTU series, PTU2 series

#### ■ Socket (Front View)



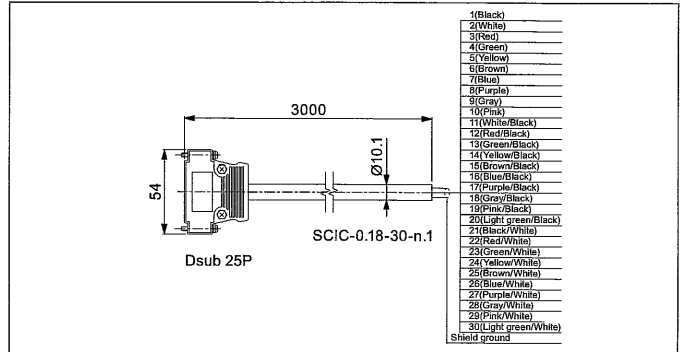
#### ■ Cable (Enlarged View)



Note) Recommended connector: XM2D-2501 (Mfd. by Omron) Hood: XM2S-2511 (Mfd. by Omron Corporation)

### ■ Dimensional Diagrams

Unit: mm



-3-

## ◆ EXCB2-B3

### ■ Specifications

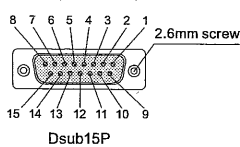
No.	Cable color	Line color	No.	Cable color	Line color	No.	Cable color	Line color	No.	Cable color	Line color
1	Black	-	5	Yellow	-	9	Gray	-	13 <sup>*1</sup>	Green	Black
2	White	-	6	Brown	-	10	Pink	-	14 <sup>*2</sup>	Yellow	Black
3	Red	-	7	Blue	-	11	White	Black	15	Brown	Black
4	Green	-	8	Purple	-	12 <sup>*1</sup>	Red	Black	16 <sup>*3</sup>	Blue	Black

\*1 Not connected: PD(1CH) series, PD2(1CH) series  
\*2 Not connected: PD(1CH) series, PD(2CH) series  
\*3 Not connected: The following whole series

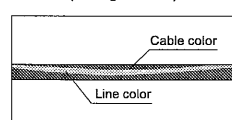
### ■ Applicable Power Supply

Model
PD(1CH) series, PD(2CH) series, PD2(1CH) series, PD2(2CH) series, PJ(AC type) series, PJ(DC type) series, PSB2(100W type) series, PSB2(300W type) series, PFB series

#### ■ Socket (Front View)



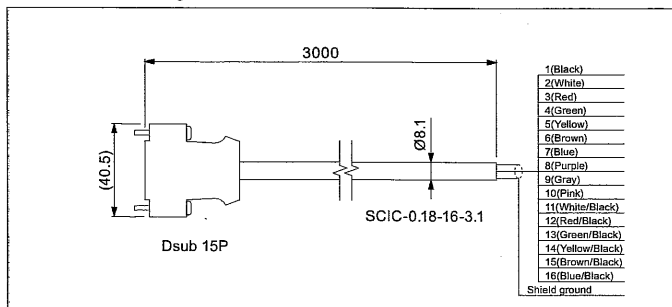
#### ■ Cable (Enlarged View)



Note) Recommended connector: XM2D-1501 (Mfd. by Omron) Hood: XM2S-1511 (Mfd. by Omron Corporation)

### ■ Dimensional Diagrams

Unit: mm



-2-

## ◆ NFCB2-3

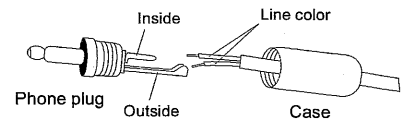
### ■ Specifications

Terminal	Line color
Inside	White
Outside	Black

### ■ Applicable Power Supply

Model
PD(1CH) series, PD(2CH) series, PSB series PD2(1CH) series, PD2(2CH) series

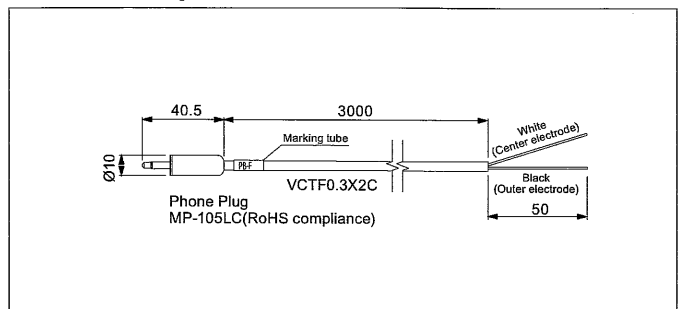
#### ■ Phone Plug (Exploded View)



Note) Recommended phone plug: MP-105N (Mfd. by Marushin electric mfg.co.,Ltd)

### ■ Dimensional Diagrams

Unit: mm



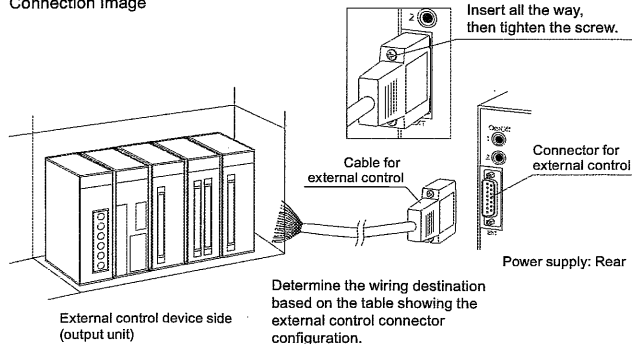
-4-

## ● Connection

### ■ ECCB2-B3/EXCB2-25-3

Connect the external controlling cable to external controlling connector located on backside of the power supply.

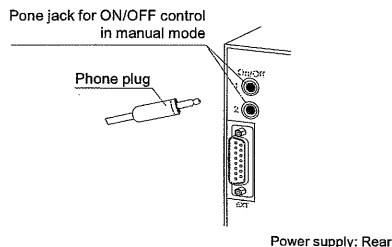
Connection Image



### ■ NFCB2-3

Connect the phone plug to Pone jack located on backside of the power supply.

Connection Image



-5-

## ● EU RoHS Directive

The RoHS Directive is short for the "restriction of use of certain hazardous substances in electrical and electronic equipment." As a directive, it restricts the use of specific hazardous substances for new electrical and electronic equipment marketed in the EU on or after July 1, 2006, and restricts the use of six substances, which are (1) lead, (2) mercury, (3) cadmium, (4) hexavalent chromium, (5) polybrominated biphenyl (PBB), and (6) polybrominated diphenyl ether (PBDE).

\*Standards for "RoHS Directive-Compliant Products"

Lead	Mercury	Cadmium	Hexavalent chromium	PBB	PBDE
1000ppm Min	1000ppm Min	100ppm Min	1000ppm Min	1000ppm Min	1000ppm Min

(Items that are exempted in the RoHS Directive are excluded from these standards.)

-6-

## ● China RoHS Directive

China RoHS Directive is formally known as "Management Methods for Controlling Pollution by Electronic Information Products", which was implemented on March 1, 2007 in China. Same as EU RoHS Directive, this regulation restricts the usage of six substances such as lead, mercury, cadmium, hexavalent chromium, polybrominated biphenyl (PBB), and polybrominated diphenyl ether (PBDE). This regulation requires electronic information products which are manufactured or imported, and sold in China, to clearly disclose contents of the 6 restricted substances listed below.

Name and amount of toxic and hazardous substances or elements, which products contain

Usage Deadline for Environmental Protection	Product name	Toxic or Hazardous Substances and Elements					
		Lead (Pb)	Mercury (Hg)	Cadmium (Cd)	Hexavalent chromium (Cr(VI))	PBB	PBDE
10	Cable	×	○	×	○	○	○

○: Indicates that this toxic or hazardous substances contained in all the homogeneous materials for this part, according to SJ/T11363-2006 is within the limit requirement.

×: Indicates that this toxic or hazardous substance contained in all the homogeneous materials for this part, according to SJ/T11363-2006, is over the limit requirement.

\*Lead and cadmium are excluded in EU RoHS.

Usage deadline for environmental protection

The number used in this logo is based on "Management Methods for Controlling Pollution by Electronic Information Products" and related regulations from People's Republic of China. It shows the product usage duration in years for environmental protection. After finishing a product usage, the product need to be re-used or discard appropriately following local law and regulations, complying with safety and usage caution.

### 产品中有毒有害物质或元素的名称及含量

环保使用期限	产品	有毒有害物质或元素					
		铅 (Pb)	汞 (Hg)	镉 (Cd)	六价铬 (Cr(VI))	多溴联苯 (PBB)	多溴二苯醚 (PBDE)
10	电缆	×	○	×	○	○	○

○: 表示该有毒有害物质在该部件所有均质材料中的含量均在SJ/T11363-2006 标准规定的限量要求以下。

×: 表示该有毒有害物质至少在该部件的某一均质材料中的含量超出SJ/T11363-2006 标准规定的限量要求。  
(注) 铅和镉中的“×”，因欧洲RoHS没限定，故用“○”表示。

环保使用期限

此标志的数字是根据中华人民共和国电子信息产品污染控制管理办法以及有关标准等，表示该产品的环保使用期限的年限。  
遵守产品的安全和使用上的注意，在产品使用后采取适当的方法根据各地法律，规定，回收再利用或进行废弃处理。

-7-

## ● Warranty Information

Warranty period: Two years (one year for radiant quantity), starting from CCS Inc. shipping date.

CCS Inc. will repair or replace the product free of charge if it should fail to function or if the radiant quantity of the product should drop to 50% or less of its initial radiant quantity within the specified warranty period.

If either of these conditions occurs, please take the product to your CCS sales representative.

### Warranty Terms

- CCS Inc. will repair or replace the product free of charge if it should fail to function under normal use in accordance with the instruction Guide and other written cautions during the indicated warranty period of two years.
- CCS Inc. will repair or replace the product free of charge if its radiant quantity should drop to 50% or less of its initial radiant quantity under normal use in accordance with the instruction Guide and other written cautions during the indicated warranty period of one year.
- CCS Inc. will charge a repair fee under the following conditions:
  - If the product has been subjected to misuse, unauthorized repairs, or modification from its original design.
  - If the product has been damaged from impacts due to inappropriate handling.
  - If damage to the product results from external causes including accidents, fire, pollution, riots, communication failures, earthquakes, thunderstorms, wind and flood damage, or any other act of providence, or from any extraordinary conditions such as electrical surges, water leakage, condensation, or the use of chemicals.
  - If the damage results from connection to any power supply or to any equipment which CCS Inc. does not manufacture or does not specify for use.

This warranty information provides the scope of CCS's product warranty within the specified period, and does not indicate or imply any further guarantee beyond the warranty terms.

Contact CCS for inquiries or information on repairs to the product after the expiration of the warranty.

**CCS CCS Inc.**

<Headquarters> Shimodachiuri-agaru, Karasuma-dori, Kamigyo-ku, Kyoto 602-8011 Japan  
Phone : +81-75-415-8284 Fax : +81-75-415-8278  
E-mail : intlsales@ccs-inc.co.jp

Copyright(c) 2007 CCS Inc. All Rights Reserved.

Description in this guide is based on the information as of April 2007. KZ01093-T001-000 C

-8-