

Absolute-Encoder CEK58 - SSI



Ref.: K-CEK58-SSI-1

18.11.2013

010102005802010204

Advantages

- _ Customer-specific solutions
- _ Flexible programming
- _ Further interfaces available
- _ Modular mechanical design
- _ Modular product line
- _ Short lead times

General Data

Supply	
- Supply voltage	11...27 VDC
Current consumption no load	<= 350 mA
Device design	
- Type	Single-/Multi-Turn
Total resolution	<= 33 Bit
Number of steps per revolution	<= 32768
Number of revolutions	<= 256000
SSI - Interface	
- SSI-Clock input	Optocoupler
- SSI-Data output	RS-422, 2-wire
- SSI-Clock frequency	80...1000 kHz
- SSI-Mono time, typically	20 μ s
Incremental - Interface	
- Equipment	Optional interface
- Incremental signals, square	K1 \pm K2 \pm
- Impulses, square wave	1024 or 2048
- Output driver, TTL	RS-422, 5 VDC
Parameter/Function, changeable	Resolution
	Output code
	Output format
	Movement status signal

Subject to change.

TR-Electronic GmbH
 Eglisshalde 6
 78647 Trossingen
 Tel. +49 (0) 7425 228-0
 info@tr-electronic.de
www.tr-electronic.de

Absolute-Encoder CEK58 - SSI

Ref.: K-CEK58-SSI-1

18.11.2013

010102005802010204

General Data continuation

	Limit switch
	Error signal
	Preset parameter
	Parity
	Direction signal
	Overspeed
	Counting direction
Type of parametrization	programmable
Prgramming - Tool	TR-Soft: TRWinProg
External inputs	
- F/R	Count direction
- Preset	electronic adjustment
- Logic level	"0" < +2V, "1" = Supply
Maximum Speed, mechanically	<= 12000 1/min
Shaft load, axial/radial	radial coupling forces
Bearing life time	>= 3.9E+10 revolutions
Bearing life time - Parameter	
- Speed	6000 1/min
- Operating temperature	60 °C
Angular acceleration	<= 10E+4 rad/s ²
Moment of inertia, typically	2.5E-6 kg m ²
Start-up torque, 20 °C	2 Ncm
Mass, typically	0.3...0.5 kg

Environmental conditions

Vibration	
- Specific value	<= 100 m/s ²
- Sine	50...2000 Hz
Shock	
- Specific value	<= 1000 m/s ²
- Half sine	11 ms
Immunity to disturbance	DIN EN 61000-6-2
Transient emissions	DIN EN 61000-6-3
Working temperature	
- Standard	0...+60 °C
- Optional	-20...+70 °C;

Subject to change.

Absolute-Encoder CEK58 - SSI

Ref.: K-CEK58-SSI-1

18.11.2013

010102005802010204

Environmental conditions continuation

Storage temperature, dry	-30...+80 °C
Relative humidity	98 %, non condensing
Protection class - Standard	IP65

Subject to change.

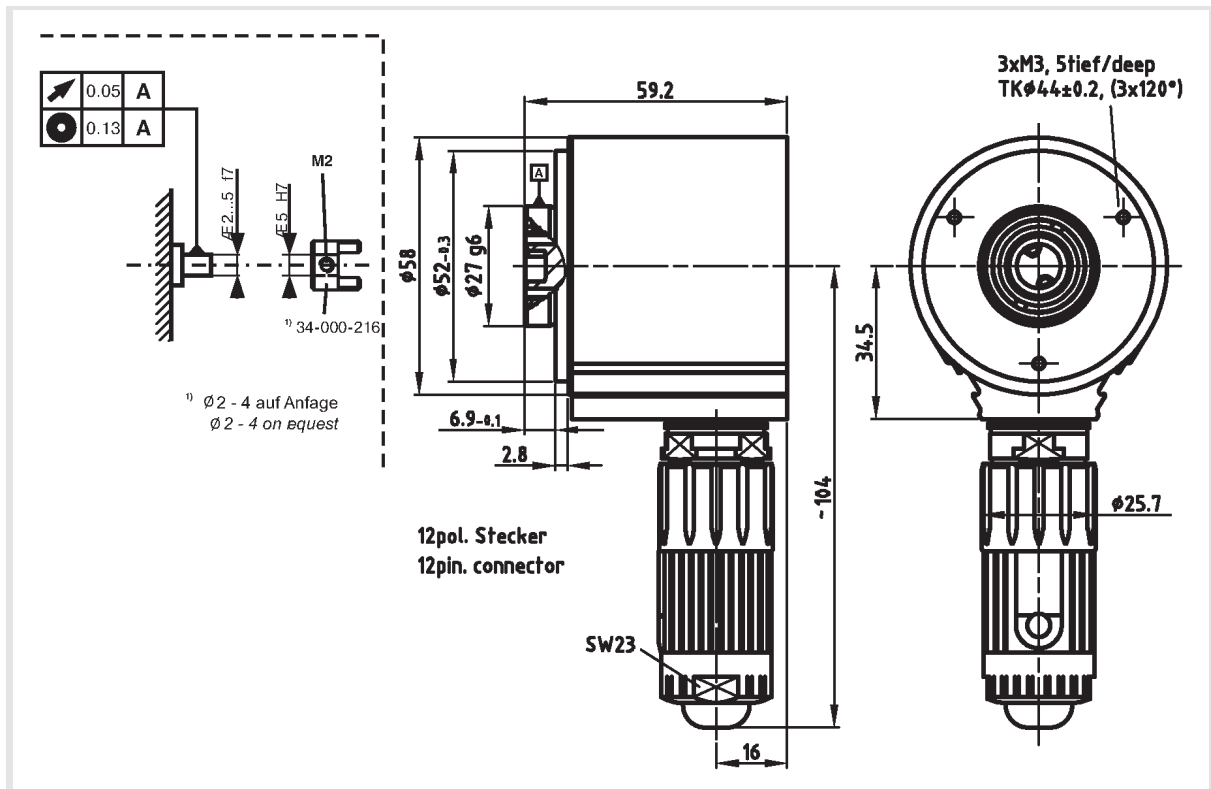
Absolute-Encoder CEK58 - SSI

Ref.: K-CEK58-SSI-1

18.11.2013

010102005802010204

Dimensional drawing



Subject to change.